

382-387

Summit™ EL 1.28

Elongated Front, Vitreous China, Two-Piece Toilet



Features

- 1.28 Gpf / 4.86 Lpf
- SmartFasten™ 3-bolt tank-to-bowl connection
- Elongated front bowl
- PuraClean™ easy-to-clean glaze
- Decorative metal trip lever
- High performance MagnaFlush™ flushing technology
- 3" flush valve
- Pilot operated anti-siphon fill valve
- 12" rough-in
- 2" glazed trapway
- The Mansfield® limited lifetime warranty on china; Five-year limited warranty on tank trim
- Available in white and standard colors: biscuit and bone



Elongated Front



Model 382-387

Toilet seat not included



Also available as a complete toilet kit.*

Components

Model #	Description	Codes/Standards
382-387	Elongated front, two-piece toilet. Less toilet seat and supply. Specify color.	
382	Elongated front, toilet bowl only. Less toilet seat. Specify color.	
387	Tank and cover only with left hand, front-mount, chrome-plated, metal trip lever. Less supply. Specify color.	

Other Options:

387RH	Same as 387, with right hand trip lever.	
387LT	Same as 387, with tank liner.	
*4383CTK	Elongated front, complete toilet kit. Includes slow close toilet seat, tank and bowl, flange bolts, wax ring with polyethylene flange and instructions.	



MADE IN USA

382-387 Summit™ EL 1.28

Elongated Front, Vitreous China, Two-Piece Toilet

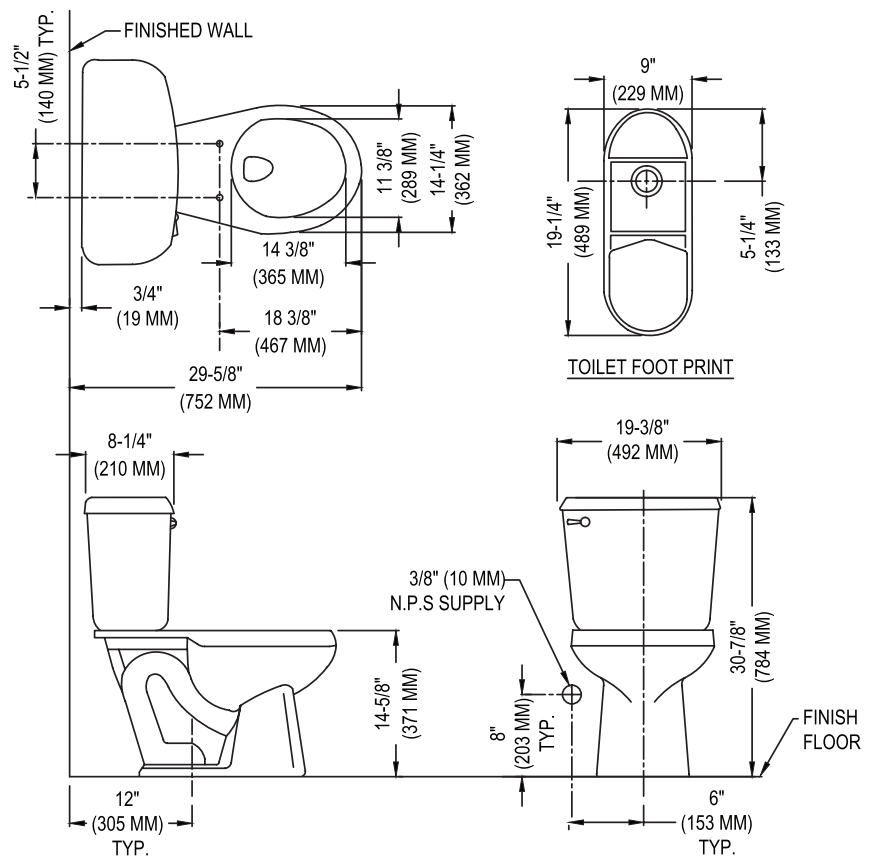


Specifications

Model #	Description	Codes/Standards
382-387	Elongated front, (1.28 Gpf / 4.86 Lpf) two-piece, toilet.	

Specification	Description	Specification	Description
Material	Vitreous china	Trap Diameter	2"
Water Pressure Range	20 to 80 PSI	Trap Seal	2-1/2"
MaP Rating	1000 grams	Rough-in	12"
Water Usage	1.28 Gpf / 4.86 Lpf	Shipping Weight	Model 382 - 50 lbs. Model 387 - 36 lbs. Model 4383CTK - 93 lbs.
Water Surface Area	9" X 10"	Warranty	Vitreous China - Limited Lifetime Tank Trim - Limited Five Year

Technical Information



See our complete line of acrylic and vitreous china bathroom fixtures, plastic tank trim and plumbing products.

These dimensions are nominal and subject to change without notice.

Fixture performance and specifications meet or exceed ASME A112.19.2-2008/CSA B45.1-08 standards, and other state and local codes.



MADE IN USA