

# 230 Verona

Vitreous China Pedestal Lavatory



## Features

---

- 18-1/2" x 17-1/4" pedestal lavatory
- Integral rear overflow
- Available in 4" faucet center
- The Mansfield® limited lifetime warranty
- Available in White



Model 230-4  
(Less faucet, drain  
assembly and supply)

## Components

---

Model #	Description
230	Oval lavatory with pedestal. Less faucet, drain assembly and supply.
232-4	Lavatory only with 4" faucet center. Less faucet, drain assembly and supply.
233	Pedestal only.

## Specifications

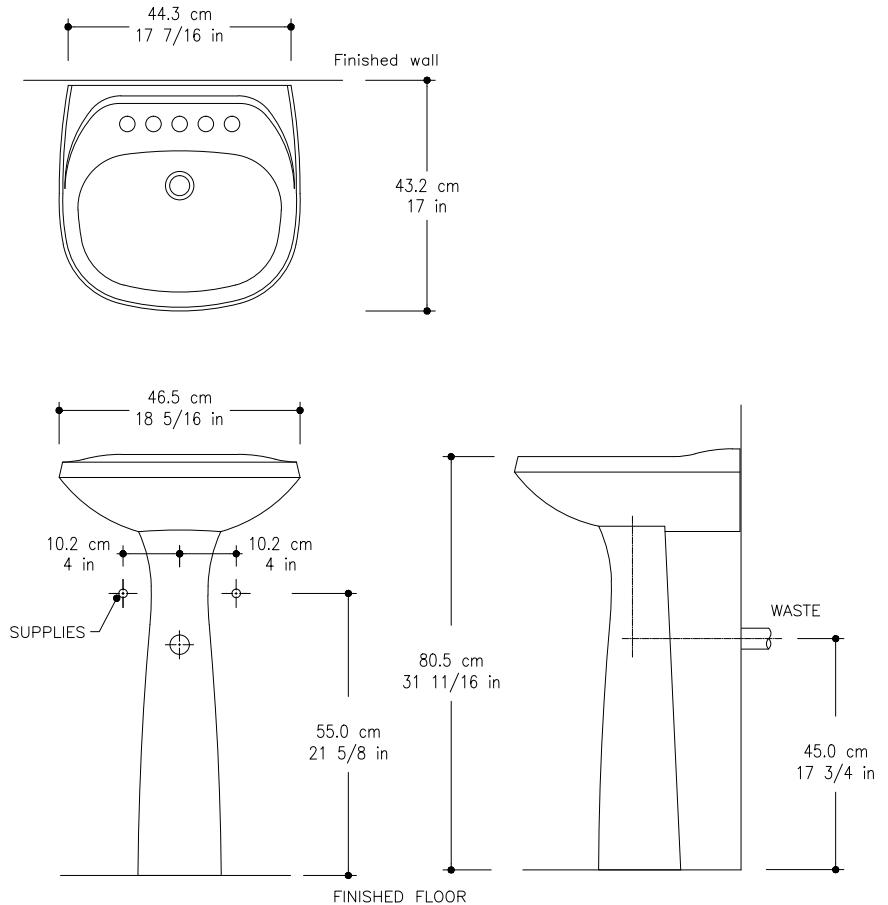
Model #	Description
230	18-1/2" x 17-1/4" Pedestal Lavatory.

Specification	Description	Specification	Description
Material	Vitreous China	Shipping Weight	Model 232 - 24 lbs. (10 kg)
Warranty	Vitreous China - Limited Lifetime		Model 233 - 14 lbs. (6 kg)
Faucet Holes	4"		

## Technical Information

All Mansfield® wall-mount lavatories are supplied with this exclusive one-piece steel hanger. Easily installed and adjusted, it contains holes for solid mounting against wall. Anchoring screw must be used for correct installation. Standard plumbing practice recommends use of both mounting bracket and anchoring screws.

NOTE: For secure installation, wall-mounting hanger should be fastened to solid, support wall stud.



See our complete line of acrylic and vitreous china bathroom fixtures, plastic tank trim and plumbing products.

These dimensions are nominal and subject to change without notice.

Fixture performance and specifications meet or exceed ASME A112.19.2-2008/CSA B45.1-08 standards, and other state and local codes.