

# 135-125

## Alto®

Elongated Front, Vitreous China, Two-Piece Toilet



### Features

- 3 bolt tank-to-bowl connection
- 1.6 gpf / 6.0 lpf low water consumption
- 2" flush tower
- Elongated front bowl
- Anti-siphon ballcock
- 14" Rough-in
- Model 40 chrome plated plastic trip lever
- 2" glazed trapway
- The Mansfield® limited lifetime warranty
- Available in White, Standard Colors: Biscuit, Bone




Elongated Front



Model 135-125  
Toilet seat not included

### Components

Model #	Description	Codes/Standards
135-125	Elongated front, two-piece toilet. Less toilet seat and supply. Specify color.	
135	Elongated front, toilet bowl only. Less toilet seat. Specify color.	
125	Tank and cover only, with left hand, chrome plated, plastic trip lever. Less supply. Specify color.	



**MADE IN USA**

# 135-125

## Alto®

Elongated Front, Vitreous China, Two-Piece Toilet

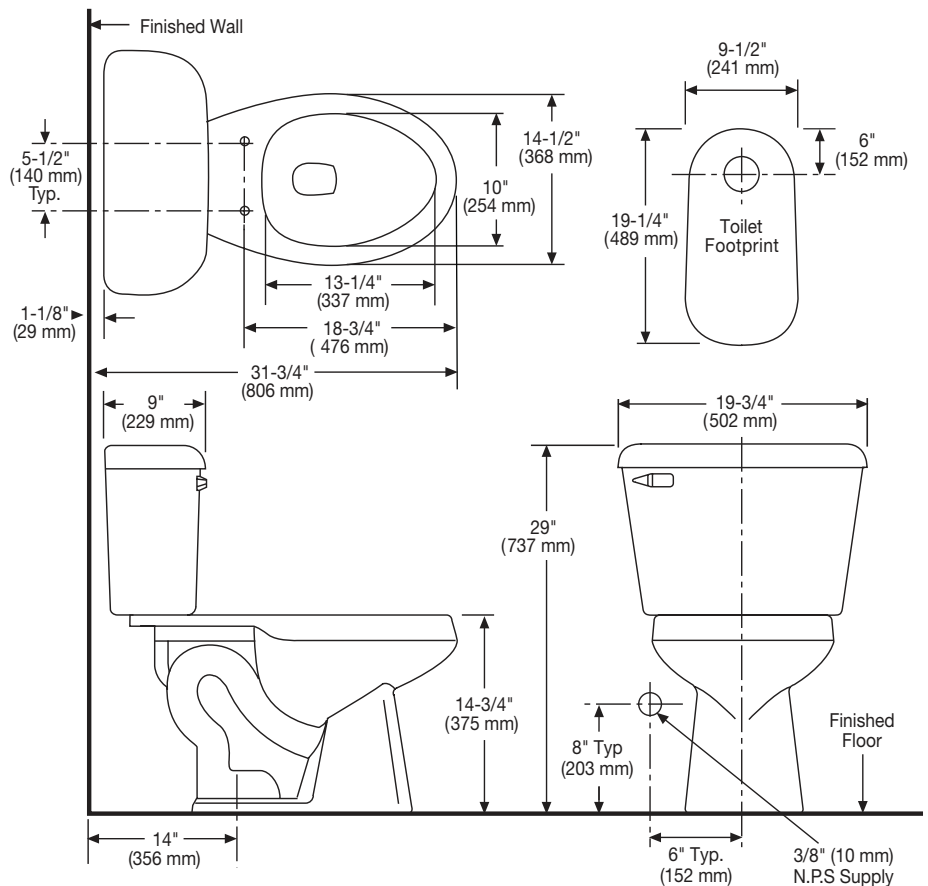


### Specifications

Model #	Description	Codes/Standards
135-125	Elongated front (1.6 gpf/6.0 lpf) two-piece toilet	

Specification	Description	Specification	Description
Material	Vitreous China	Trap Diameter	2"
Water Pressure Range	20 to 80 PSI	Trap Seal	2-5/8"
Flush System	2" flush tower	Shipping Weight	Model 135 - 50 lbs. (22.6 kg)
Water Usage	1.6 gpf / 6.0 lpf		Model 125 - 36 lbs. (16.3 kg)
Water Surface Area	9" X 10"	Warranty	Vitreous China - Limited Lifetime
Rough-in	14"		Tank Trim - Limited One Year

### Technical Information



See our complete line of acrylic and vitreous china bathroom fixtures, plastic tank trim and plumbing products.

These dimensions are nominal and subject to change without notice.

Fixture performance and specifications meet or exceed ASME A112.19.2-2008/CSA B45.1-08 standards, and other state and local codes.



**MADE IN USA**