



HOW TO READ A MODEL NUMBER

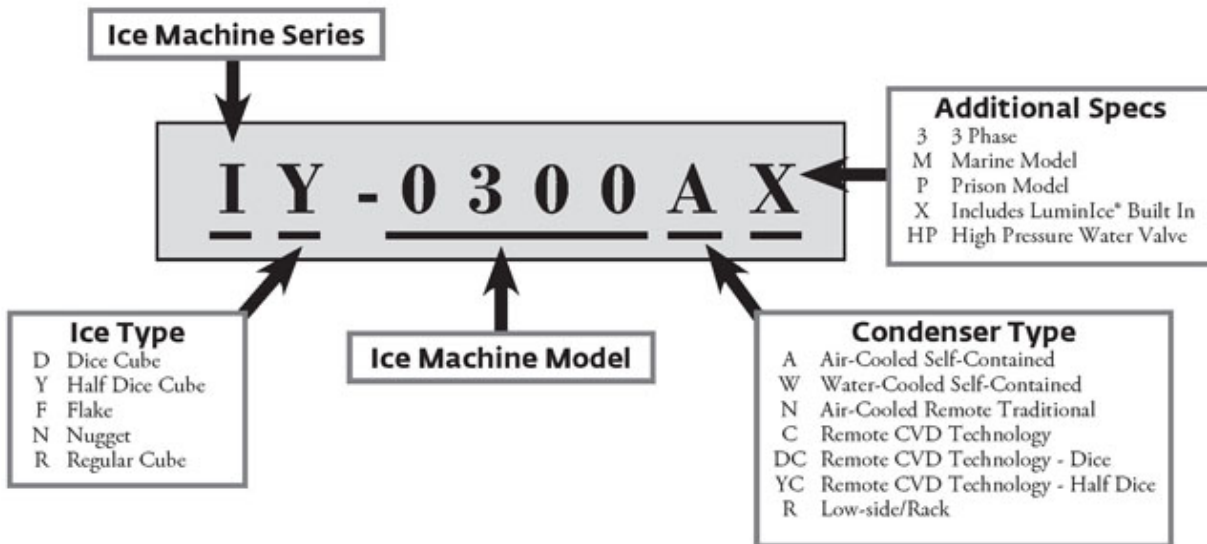


TABLE OF CONTENTS

Manitowoc Foodservice [Updated: Apr. 23, 2015]

Manitowoc - Ice & Related

Parts Catalog

Ice Machine

Indigo Series

Indigo Model - Air, Water & Remote

i0300 Indigo

i0300 Control Box Components 1

i0300 Evaporator Compartment - Common Components 3

i0300 Refrigeration Compartment - Common Components 6

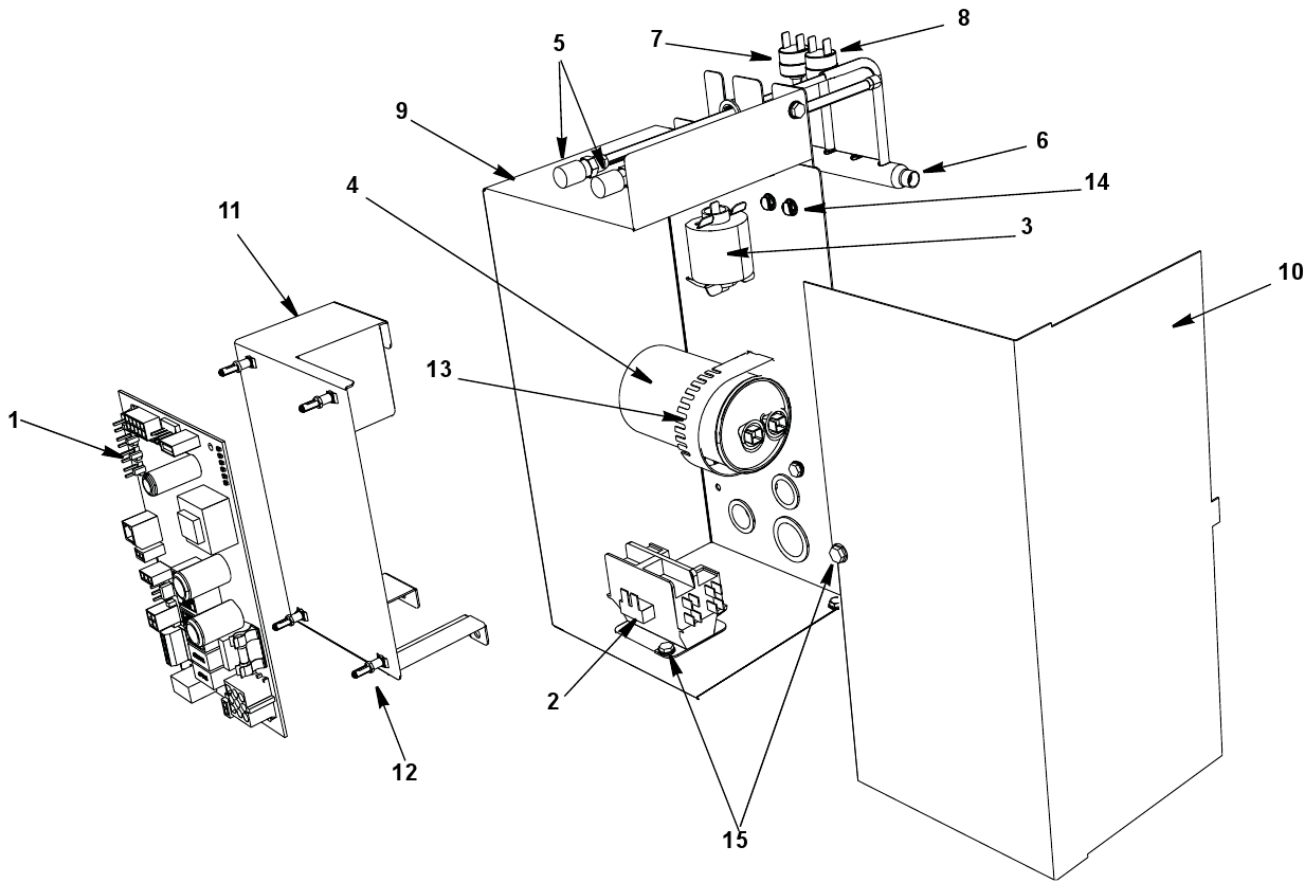
i0300 Refrigeration Compartment – Air-cooled 9

i0300 Refrigeration Compartment – Water-cooled 11

i0300 Panels 13

i0300 Indigo

I0300 CONTROL BOX COMPONENTS



i0300 Indigo

I0300 CONTROL BOX COMPONENTS

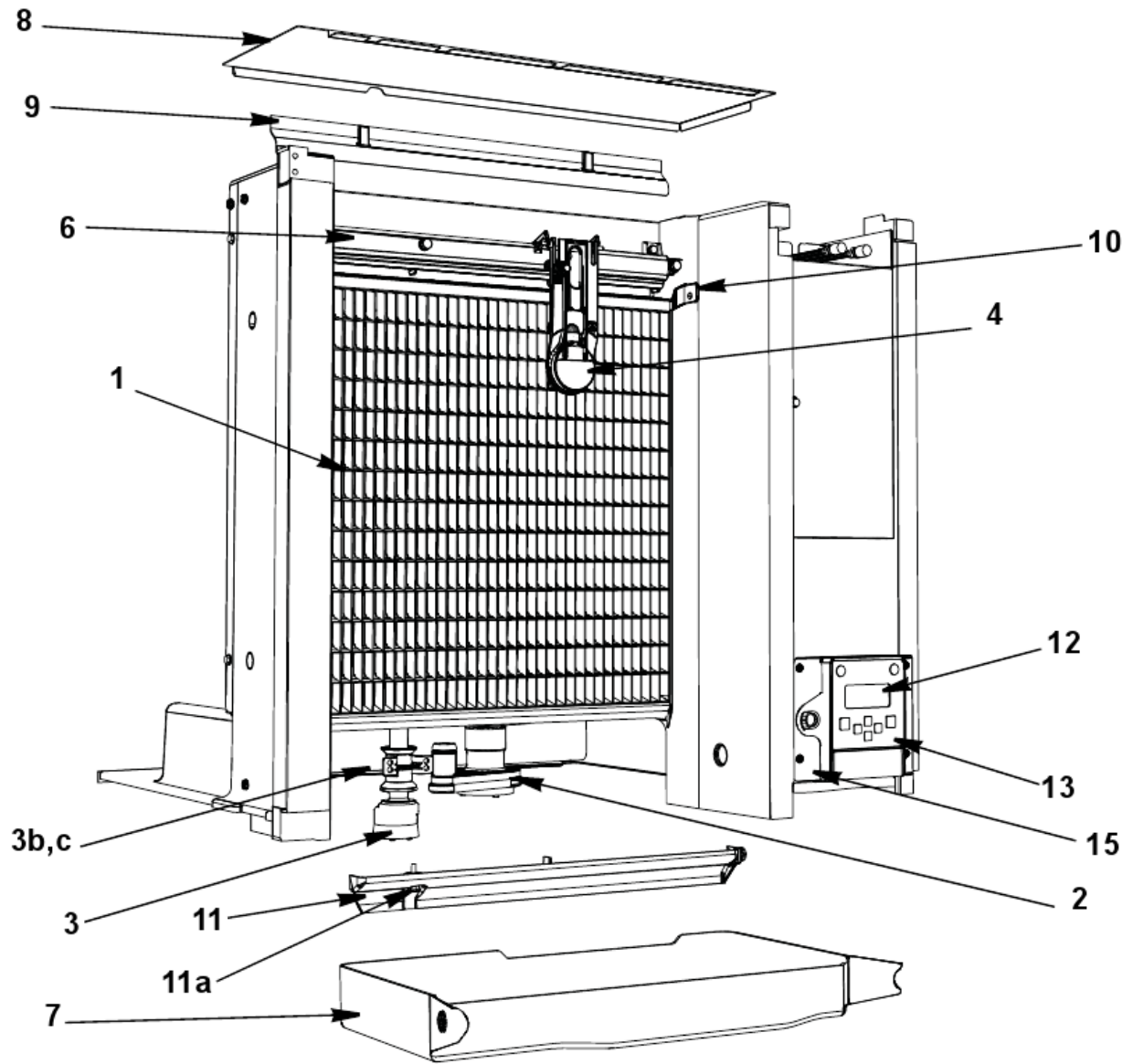
#	PART #	DESCRIPTION	QTY	Note
1	000008309	Control Board		[1]
1a	000009181	8 amp Ceramic Fuse - Mounted on Control Board		
2		Contactora		
2a	2006589	Contactora - 115V/60 Hz/1 Ph		
2b	2006599	Contactora - 230V/50-60 Hz/1 Ph		
3	8505003	PTCR Compressor Starter		
3a	8505023	PTCR Mounting Bracket		
4		Compressor Run Capacitor		
4a	2010133	Compressor Run Capacitor - 50 Hz		
4b	000007675	Compressor Run Capacitor - 208-230V/50-60 Hz/1 Ph		
5	8373263	Refrigeration Service Valve Assembly		
6	000008364	Manifold Strainer		
6a	6058571	Bracket		
7	2001243	HPCO		
8	2001263	Fan Cycling Control - 200-250 psig		[2]
9	000008279	Control Box		
10	000010421	Control Box Cover		
11	000007564	Control Board Mounting Bracket		
12	4302253	Control Board Mounting Supports		
13	6024953	Capacitor Mounting Strap		
14	5202169	Screw - #10-24 x 0.50" Ground		
14a	5573209	Star Washer		
15	5202069	Screw - #10-24 x 0.50" HEX		
16	5573209	Star Washer		
17		Control Box Bushings		
17a	2500019	Bushing - 1.187"		[3]
17b	2501409	Bushing - 0.875"		[4]
18		Control Box Wiring Harness		[5]
18a	000007696	Control Box Wiring Harness - 115V/60 Hz/1 Ph		
18b	000007179	Control Box Wiring Harness - 230V/60 Hz/1 Ph		
18c	000007180	Control Box Wiring Harness - 230V/50 Hz/1 Ph		
19		Compressor Compartment Wiring Harness		[5]
19a	000007185	Wiring Harness - Compressor Compartment - Air-cooled		
19b	000007177	Wiring Harness - Compressor Compartment - Water-cooled		

PART NOTES:

- [1] - for use with all voltages
- [2] - \pages from 200126_09.jpg" width=150 height=306>
- [3] - 1
- [4] - 4
- [5] - Not shown

i0300 Indigo

I0300 EVAPORATOR COMPARTMENT - COMMON COMPONENTS



I0300 EVAPORATOR COMPARTMENT - COMMON COMPONENTS

#	PART #	DESCRIPTION	QTY	Note
1		Evaporator Assembly		
1a	7602699	Evaporator - Dice Cube		
1b	7602709	Evaporator - Half Dice Cube		
2		Water Pump		
2a	2007679	Water Pump - 115V/60 Hz		
2b	2007659	Water Pump - 230V/60 Hz		
2c	2007669	Water Pump - 230V/50 Hz		
2d	000010244	Water Pump Mount		
3	000007052	Water Level Probe		
3a	000007099	Wire - Control Box to Probe		[1]
3b	000010009	Holder - Water Level Probe		
3c	5202099	Screw - #10-24 x 0.50" PHIL		[2]
3d	000010005	Bracket - Water Level Probe		
4	000008660	Ice Thickness Control Probe		
5	4011149	Water Curtain		[1]
6	7602193	Water Distribution Tube - 30" L		
6a	5004649	O-Rings		[3]
7		Water Trough - See Note for Serial Break		
7a	000002106	Water Trough		[4]
7b	000010828	Water Trough		[5]
8	000009055	Foodzone Seal Panel		
9	4008469	Evaporator Top Filler Panel		
9a	6063339	Bracket - Top Filler Panel		
9b	5202099	Screw - #10-24 x 0.50" PHIL		
10	7602203	Evaporator Top Frame Assembly		
11	7602213	Water Diverter - 30" Models		
11a	5305123	Thumbscrew SS - #8-32 x 0.44"		
12	000006728	LCD Display		
13	000007926	Touch Pad with Housing		
14	000007828	LCD Wiring Harness - 20" Long		[1]
15	000006697	Touch Pad/Housing Mounting Bracket		
16		Front Panel LCD Frame		
16a	000006647	LCD Frame with Key Guard		
16b	000006564	LCD Frame without Key Guard		
16c	K00433	Display Cover		[6]
17	5004799	Thumbscrew SS - #8-32 x 0.375"		[7]
17a	5004629	O-Ring - 0.125" ID		
18	5004619	Screw - #12-16 x 0.687"		[8]
19	5004659	Water Pump Base O-Ring - 4.00" ID		
20	5004679	Water Pump Outlet O-Ring - 0.875" ID		

PART NOTES:

- [1] - Not shown
- [2] - Mount Water Level Probe Holder
- [3] - Back of Distribution Assembly

i0300 Indigo

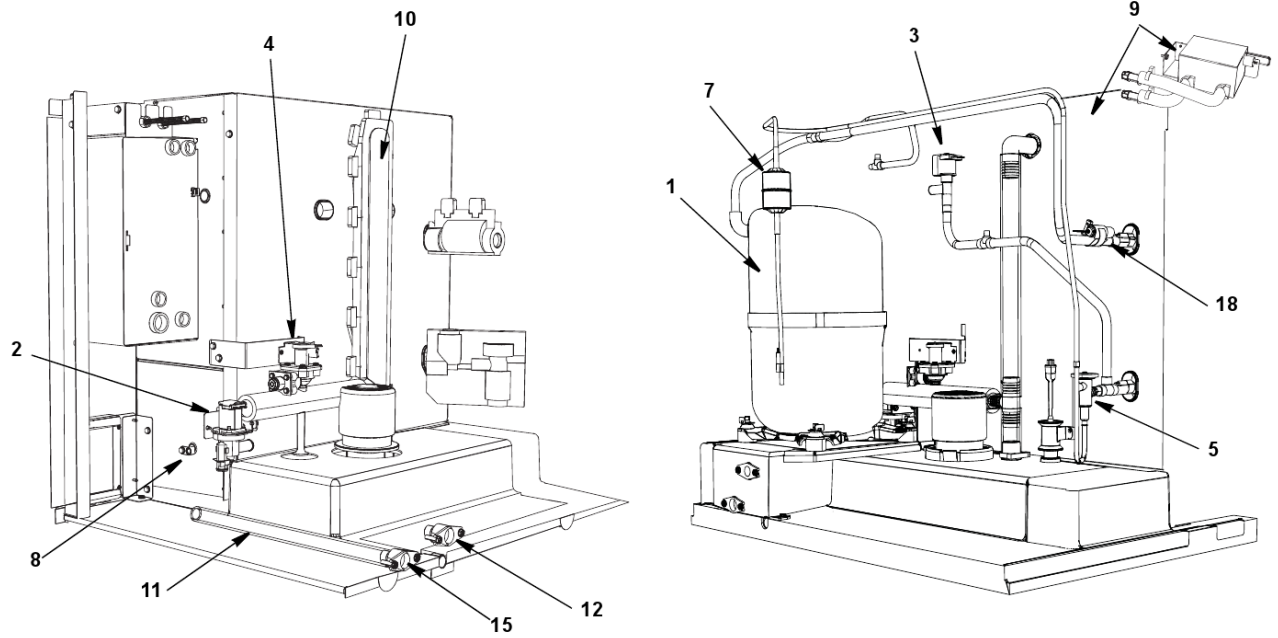
I0300 EVAPORATOR COMPARTMENT - COMMON COMPONENTS

PART NOTES:

- [4] - Before Serial Number 1101223883
- [5] - After Serial Number 1101223883
- [6] - hides the display completely
- [7] - Water Distribution Tube Mounting Each
- [8] - Each

i0300 Indigo

I0300 REFRIGERATION COMPARTMENT - COMMON COMPONENTS



i0300 Indigo

I0300 REFRIGERATION COMPARTMENT - COMMON COMPONENTS

#	PART #	DESCRIPTION	QTY	Note
1a	000008737	Compressor - Emerson - 115V/60 Hz/1 Ph		
1b	000008738	Compressor - Emerson - 208-230V/60 Hz/1 Ph		
1c	000008739	Compressor - Emerson - 230V/50 Hz/1 Ph		
1d	000008985	Overload - 115V/60 Hz		
1e	000008986	Overload - 230V/60 Hz		
1f	000008987	Overload - 230V/50 Hz		
2		Water Dump Valve		[1]
2a	000001767	Water Dump Valve - 115V/60 Hz		
2a	000001768	Water Dump Valve - 208-230V/50-60 Hz		
2b	6058459	Water Dump Valve Mounting Bracket		
2c	4420383	Clear Tubing - 0.625" ID		
3		Harvest Valve		
3a	000007029	Harvest Valve Including 115V/60 Hz Electrical Coil		
3b	000005156	Danfoss Solenoid Valve Coil Only - 115V/60 Hz		[2]
3c	000007028	Harvest Valve Including 208-230V / 50-60 Hz Electrical Coil		
3d	000005157	Danfoss Solenoid Valve Coil Only - 230V/50-60 Hz		[3]
4		Water Inlet Valve with Bracket		
4a	000009120	Water Inlet Valve - 115V/60 Hz/1 Ph		
4b	000009126	Water Inlet Valve - 208-230V/50-60 Hz		
5	7600173	Expansion Valve		
5a	4000363	Valve Insulation Boot - Body		[4]
5b	4007203	Valve Insulation Boot - Bulb		[5]
6	000008310	Thermistor with Spring Clips		
7	8930259	Drier		
8	000007888	Magnetic Bin Switch		
a	000007410	Bin Switch Wiring Harness		
9	K00424	LuminIce		
9a	K00425	LuminIce Bulb		
9b	000007409	LuminIce Wiring Harness		
9c	000007990	Bulkhead Fitting 2.25"		
9d	000008269	Bulkhead Fitting 2.75"		
10	000003403	Insulated Tube		
10a	5650609	Snap Clamp - 1.0" ID		
10b	5650709	Snap Clamp - 0.799"/0.899" ID		
11	000001382	Vinyl Tubing 0.625" ID		[6]
11a	6038831	Insulation 0.88 ID X 0.25W X 13.50L		
11b	5650709	Snap Clamp - 0.799"/0.899" ID		
12	8706093	Female Wing Adapter - 0.375"		
12a	1360961	Male Connector		
13	4010439	Tubing - Water Inlet Valve		[7]
14	1360989	Connector - Water Inlet Valve		
15	8706133	Female Wing Adapter - 0.50"		
16		Compressor Mounting		
16a	6061709	Compressor Mounting Base		
16b	8503069	Mounting - Rubber Grommet		
16c	8503949	Mounting - Sleeve		

i0300 Indigo

I0300 REFRIGERATION COMPARTMENT - COMMON COMPONENTS

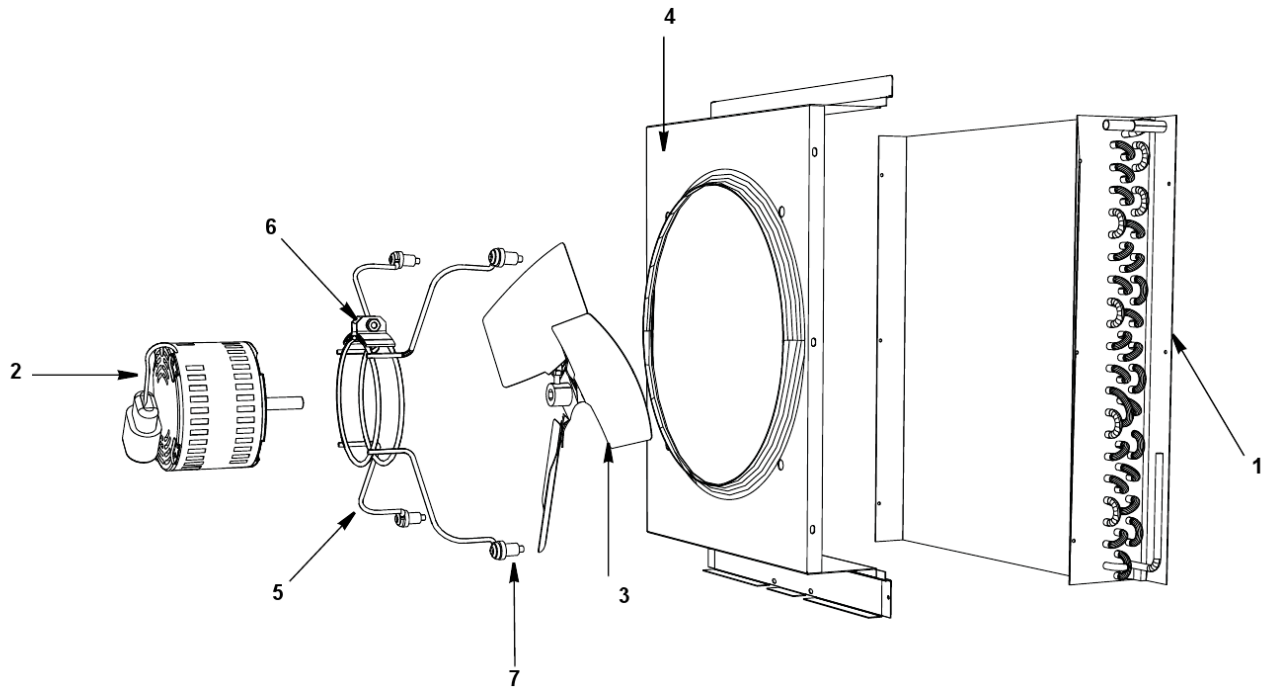
#	PART #	DESCRIPTION	QTY	Note
16d	5004819	Compressor Mounting - Bolt		
16e	5004829	Compressor Mounting - Nut		
17	5650529	Clamp - Expansion Valve Bulb		
18	3000503	Strap - Expansion Valve Bulb - 0.5"		
19	5202069	Screw - #10-24 x 0.50" HEX		

PART NOTES:

- [1] - (with bracket)
- [2] - \pages from 000005156_02.jpg" width=280 height=256>
- [3] - \pages from 000005156_02.jpg" width=266 height=183>
- [4] - \400036_05.jpg" width=2436 height=1463>
- [5] - \pages from 400720_08.jpg" width=923 height=583>
- [6] - (dump valve to drain adapter)
- [7] - \pages from 401043_05.jpg" width=1797 height=2238>

i0300 Indigo

I0300 REFRIGERATION COMPARTMENT – AIR-COOLED



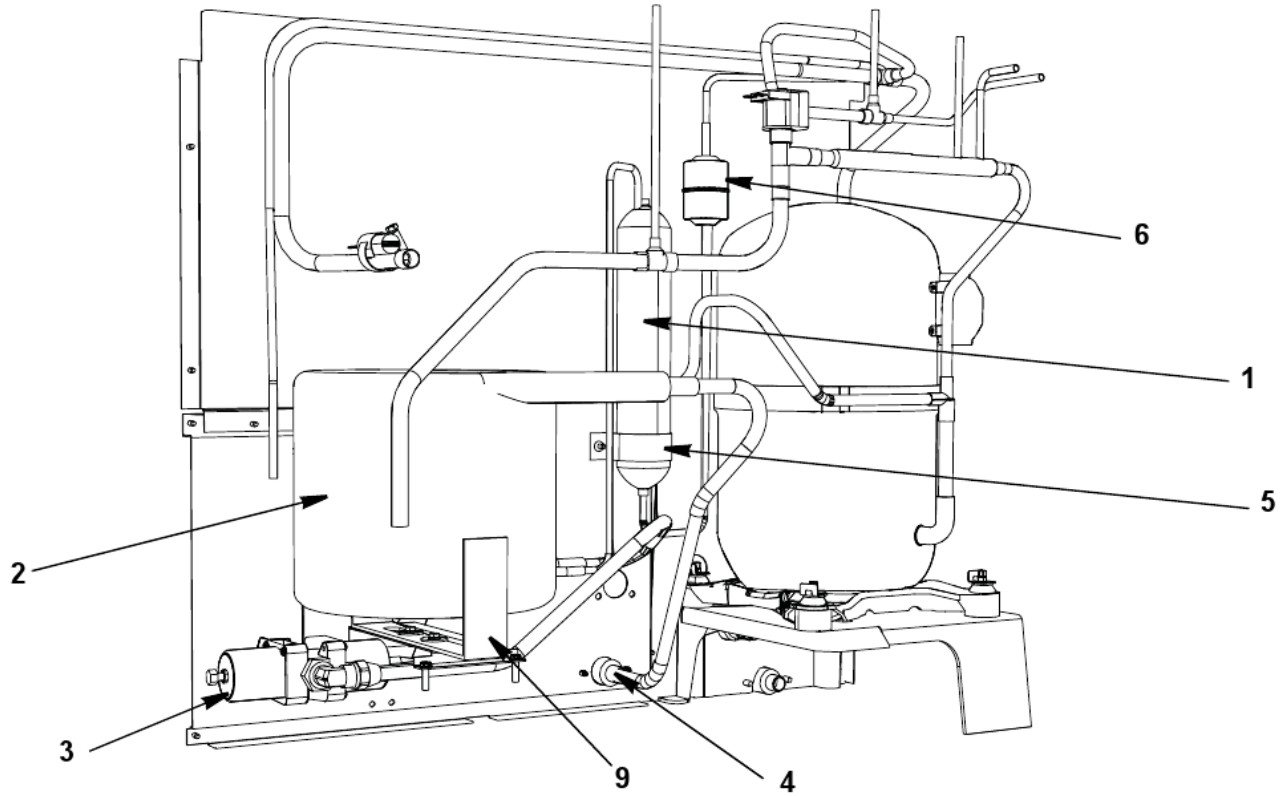
i0300 Indigo

I0300 REFRIGERATION COMPARTMENT – AIR-COOLED

#	PART #	DESCRIPTION	QTY	Note
1	8851303	Air Condenser		
2		Fan Motor		
2a	2412813	Fan Motor - 115V/60 Hz		
2b	2412823	Fan Motor - 208-230V/50-60 Hz		
3	2416223	Fan Blade		
4	6058399	Fan Shroud		
5	6027431	Fan Motor Mounting Bracket		
6		Fan Motor Mounting		
6a	5033589	Mounting - Screw		
6b	5545109	Lockwasher		
6c	5429529	Mounting - Hexnut		
7		Fan Bracket Mounting		
7a	5033589	Mounting - Screw		
7b	5545109	Lockwasher		
7c	5573059	Mounting - Flatwasher		
7d	5429559	Mounting - Rubber Wellnut		
8	5202069	Screw - #10-24 x 0.50" HEX		

i0300 Indigo

I0300 REFRIGERATION COMPARTMENT – WATER-COOLED



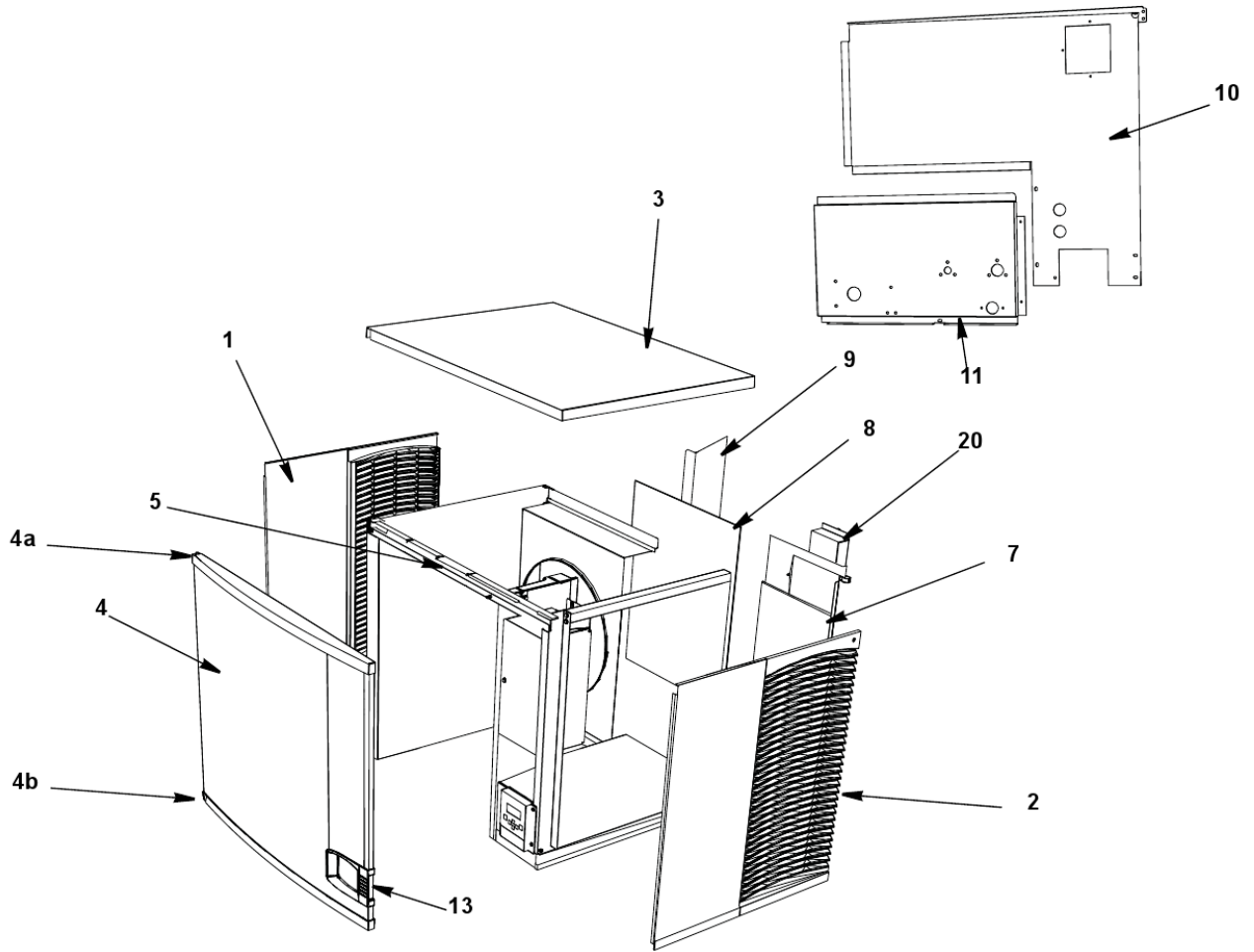
i0300 Indigo

I0300 REFRIGERATION COMPARTMENT – WATER-COOLED

#	PART #	DESCRIPTION	QTY	Note
1	000008892	Receiver		
2	000000045	Water-cooled Condenser		
3	000007546	Water Regulating Valve		
4	8706083	Female Wing Adapter - 0.50"		
5	6000541	Receiver Strap		
6	5002159	Elbow 3/8 MF x 3/8 MPT		
7	5202069	Screw - #10-24 x 0.50" HEX		
8	5573419	Washer		
9	6058659	Base, Water Condenser/Receiver		

i0300 Indigo

I0300 PANELS



i0300 Indigo

I0300 PANELS

#	PART #	DESCRIPTION	QTY	Note
1	000005211	Left Side Panel		
2	000005209	Right Side Panel		
3	000006699	Top Cover		
4	000006576	Front Panel Assembly		
4a	000006538	Top Endcap		
4b	000006539	Bottom Endcap		
5	000010051	Front Top Support		
5a	5005379	Mounting Screw - #8-32 x 1.0" PHIL		
5b	5005099	Screw - #10-16 x 0.625"		
6	6061709	Compressor Mounting Base		
		Air-cooled Back Panels		
7	000008035	Back Panel with Electrical Connection Box, Air-cooled Models		
8	3005699	Air Filter		
9	000007676	Air Baffle Assembly		
		Water-cooled & Remote Air-cooled Back Panels		
10	000008036	Back Panel with Electrical Connection Box		
11	6061739	Back Coupling Panel - Water-cooled and Remote Air-cooled		
12	8706083	Female Wing Adapter - 0.50"		
13		Front Panel LCD Frame		
13a	000006647	LCD Frame with Key Guard		
13b	000006564	LCD Frame without Key Guard		
13c	K00433	Display Cover		[1]
14	5004899	Front Door Screw		
15	7602263	Bottom Door Frame		
15a	5005379	Mounting Screw - #8-32 x 1.0" PHIL		
15b	5202099	Screw - #10-24 x 0.50" PHIL		
16	3005579	Left Door Pivot Leaf Hinge		[2]
16a	5005379	Mounting Screw - #8-32 x 1.0" PHIL		
17	6068649	Left Top Channel		
18	6062579	Right Top Channel		
19		Left Corner Post - See Note for Serial Break		
19a	6058379	Left Corner Post		[3]
19b	000010354	Left Corner Post		[4]
20		Electrical Box on Rear of Ice Machine		
20a		Box with Cover		[5]
20b	2006143	Terminal Block - 50 Hz - 3 Pole		
20c	5202169	Screw - #10-24 x 0.50" Ground		
21		Right Corner Post - See Note for Serial Break		
21a	000007643	Right Corner Post		[3]
21b	000010677	Right Corner Post		[4]
22	7112299	Cartoning		

PART NOTES:

[1] - hides the display completely

i0300 Indigo

I0300 PANELS

PART NOTES:

- [2] - (Top or Bottom)
- [3] - Before Serial Number 1101223883
- [4] - After Serial Number 1101223883
- [5] - Included in Back Panel Assembly