



NEO[™] **UnderCounter** **Ice Machines**

Installation, Use & Care Manual

This manual is updated as new information and models are released.
Visit our website for the latest manual. www.manitowocice.com

Table of Contents

Section 1

General Information

Model Numbers	3
Accessories	5
Bin Caster	5
Arctic Pure Water Filter System	5
Manitowoc Cleaner and Sanitizer	5

Section 2

Installation Instructions

Location of Ice Machine	7
Ice Machine Heat of Rejection	7
Leveling the Ice Machine	7
Electrical Service	8
General	8
Voltage	8
Fuse/Circuit Breaker	8
Total Circuit Ampacity	8
Ground Fault Circuit Interrupter	8
Electrical Specifications	9
Water Service/Drains	10
Water Supply	10
Water Inlet Lines	10
Drain Connections	10
Cooling Tower Applications	10
Water Supply and Drain Line Sizing/Connections	11
Water Level Adjustment	11
Water/Drain Connections	11
Before Starting the Ice Machine	12
Installation Checklist	12

Section 3

Operation

touch Pad Features	13
On/Off	13
Delay	13
Clean	13
Bin Full	13
Service	13
Ice Making Sequence of Operation	14
Safety Limits	14

Table of Contents (continued)

**Section 4
Maintenance**

Interior Cleaning and Sanitizing	15
General	15
Cleaning and Sanitizing Procedure	15
Remove Parts for Cleaning	17
Preventative Maintenance Cleaning	19
Ice Machine Inspection	19
Exterior Cleaning	19
Cleaning the Condenser	20
General	20
Removal from Service/Winterization	20

**Section 5
Customer Support**

Checklist	21
Safety Limit Feature	22
Commercial Ice Machine Warranty	23
Residential Ice Machine Limited Warranty	24

Section 1

General Information

Model Numbers


This manual covers the following models:

Self-Contained Air-Cooled	Self-Contained Water-Cooled
UD0140A	UD0140W
UD0140AE	UD0140WE
UY0140A	UY0140W
UY0140AE	UY0140WE
UR0140A	--
UR0140AE	--
UD0190A	UD0190W
UD0190AE	UD0190WE
UY0190A	UY0190W
UY0190AE	UY0190WE
UR0190A	--
UR0190AE	--
UD0240A	UD0240W
UD0240AE	UD0240WE
UY0240A	UY0240W
UY0240AE	UY0240WE
UR0240A	--
UR0240AE	--
UD0310A	UD0310W
UD0310AE	UD0310WE
UY0310A	UY0310W
UY0310AE	UY0310WE
UR0310A	--
UR0310AE	--

Read These Before Proceeding:

 **Warning**

This appliance is not intended for use by persons (including children) with reduced physical, sensory or mental capabilities, or lack of experience and knowledge, unless they have been given supervision concerning use of the appliance by a person responsible for their safety. Do not allow young children to play with the appliance.

 **Caution**

Proper installation, care and maintenance are essential for maximum performance and trouble-free operation of your equipment. Visit our website www.manitowocfsg.com for manual updates, translations, or contact information for service agents in your area.

Important

Routine adjustments and maintenance procedures outlined in this manual are not covered by the warranty.

 **Warning**

Read this manual thoroughly before operating, installing or performing maintenance on the equipment. Failure to follow instructions in this manual can cause property damage, injury or death.

 **Warning**

Do not use electrical appliances or accessories other than those supplied by Manitowoc for your ice machine model.

 **Warning**

Two or more people and/or a lifting device are required to lift or move this appliance to prevent tipping and/or physical injury or

 **Warning**

This equipment contains high voltage electricity and refrigerant charge. Installation and repairs are to be performed by properly trained technicians aware of the dangers of dealing with high voltage electricity and refrigerant under pressure. The technician must also be certified in proper refrigerant handling and servicing procedures. All lockout and tag out procedures must be followed when working on this equipment.

 **Warning**

Do not damage the refrigeration circuit when installing, maintaining or servicing the unit.

 **Warning**

Do not operate equipment that has been misused, abused, neglected, damaged, or altered/modified from that of original manufactured specifications. This appliance is not intended for use by persons (including children) with reduced physical, sensory or mental capabilities, or lack of experience and knowledge, unless they have been given supervision concerning use of the appliance by a person responsible for their safety. Do not allow children to play with this appliance.

 **Warning**

All covers and access panels must be in place and properly secured, before operating this equipment.

 **Warning**

Do not obstruct machine vents or openings.

 **Warning**

Do not store gasoline or other flammable vapors or liquids in the vicinity of this or any other appliance.

 **Warning**

Do not clean with water jet.

 **Warning**

It is the responsibility of the equipment owner to perform a Personal Protective Equipment Hazard Assessment to ensure adequate protection during maintenance procedures.

⚠ Warning

Two or more people are required to move this equipment to prevent tipping.

⚠ Warning

Personal injury is possible when moving this equipment. Two or more people aware of the possible lifting and moving hazards are required when moving or relocating this equipment.

⚠ Warning

Only trained and qualified personnel aware of the dangers of refrigerant under pressure, electrical shock, and incorrect lifting/moving hazards, should install, maintain or service this equipment.

⚠ Warning

Clean up any water or ice on counter or floor to prevent personal injuries. Always inspect the equipment for leakage after cleaning, maintenance or service procedures are performed.

⚠ Warning

Read this manual thoroughly before operating, installing or performing maintenance on the equipment.

⚠ Warning

Do not damage the refrigeration circuit when installing, maintaining or servicing the unit.

Accessories

Contact your Manitowoc distributor for these optional accessories:

BIN CASTER

Replaces standard legs.

ARCTIC PURE WATER FILTER SYSTEM

Engineered specifically for Manitowoc ice machines, Arctic Pure water filters are an efficient, dependable, and affordable method of inhibiting scale formation, filtering sediment, and removing chlorine taste and odor.

MANITOWOC CLEANER AND SANITIZER

Manitowoc Ice Machine Cleaner and Sanitizer are available in convenient 16 oz. (473 ml) and 1 gal (3.78 l) bottles. These are the only cleaner and sanitizer approved for use with Manitowoc products.

Cleaner Part Number		Sanitizer Part Number	
16oz	94-0456-3	16oz	94-0565-3
1 Gallon	94-0580-3	1 Gallon	94-0581-3

LUMINICE™

The LuminIce™ growth inhibitor recirculates the air in the ice machine foodzone over a UV bulb. This process will inhibit the growth of common micro-organisms on all exposed foodzone surfaces.

- LuminIce™ bulbs require replacement on a yearly basis.

Cleanup Procedure for Accidental Bulb Breakage

The cleanup procedure is identical to the procedure used to clean up compact fluorescent (CFL) or fluorescent tube lights. These lights contain a small amount of mercury sealed within a glass tube. Breaking these types of lights will release mercury and mercury vapor. The broken bulb can continue to release mercury vapor until it is cleaned up and removed.

The latest EPA procedures can be viewed on their website at www.epa.gov/cfl/cflcleanup.html.

Section 2

Installation Instructions

Location of Ice Machine

The location selected for the ice machine must meet the following criteria. If any of these criteria are not met, select another location.

- The location must be indoors.
- The location must be free of airborne and other contaminants.
- The air temperature must be at least 40°F (4°C), but must not exceed 110°F (43°C).
- The location must not be near heat-generating equipment or in direct sunlight.
- The location must be capable of supporting the weight of the ice machine and a full bin of ice.
- The location must allow enough clearance for water, drain and electrical connections in the **rear of the ice machine**.
- The location must not obstruct airflow through or around the ice machine (condenser airflow is in and out the front). Refer to the chart below for clearance requirements.
- The location must not be near garbage or other contaminants.
- The ice machine must use legs or be sealed to the floor. Before sealing to the floor the rubber bumpers on the bottom of the ice machine must be removed.

	Self-Contained Air-Cooled	Self-Contained Water-Cooled
Top/Sides	5" (127 mm)*	5" (127 mm)*
Back	5" (127 mm)*	5" (127 mm)*

NOTE: The ice machine may be built into a cabinet. There is no minimum clearance requirement for the top or left and right sides of the ice machine. The listed values are recommended for efficient operation and servicing only.

Caution

The ice machine must be protected if it will be subjected to temperatures below 32°F (0°C). Failure caused by exposure to freezing temperatures is not covered by the warranty. See "Removal from Service/Winterization" Section 4.

Ice Machine Heat of Rejection

Series Ice Machine	Heat of Rejection*	
	Air Conditioning**	Peak
U140	2400	2900
U190	2200	2600
U240	2400	3400
U310	3800	6000

* B.T.U./Hour

** Because the heat of rejection varies during the ice making cycle, the figure shown is an average.

Ice machines, like other refrigeration equipment, reject heat through the condenser. It is helpful to know the amount of heat rejected by the ice machine when sizing air conditioning equipment where self-contained air-cooled ice machines are installed.

Warning

Two or more people or a lifting device are required to lift this appliance.

Leveling the Ice Machine

1. Screw the leveling legs onto the bottom of the ice machine.
2. Screw the foot of each leg in as far as possible.

Caution

The legs must be screwed in tightly to prevent them from bending.

3. Move the ice machine into its final position.

Warning

Do not obstruct ice machine vents or openings.

4. Level the ice machine by using a level on top of the ice machine. Turn each foot as necessary to level the ice machine from front to back and side to side.

Electrical Service

GENERAL

⚠ Warning

All wiring must conform to local, state and national codes.

⚠ Caution

Operate equipment only on the type of electricity indicated on the specification plate.

VOLTAGE

The maximum allowable voltage variation is ± 10% of the rated voltage on the ice machine model/serial number plate at start-up (when the electrical load is highest).

The 115/1/60 ice machines are factory pre-wired with a 8' power cord, and NEMA 5-15P-plug configuration.

The 208-230/1/60 and 230/50/1 ice machines are factory pre-wired with a 8' power cord only, no plug is supplied.

FUSE/CIRCUIT BREAKER

A separate fuse/circuit breaker must be provided for each ice machine.

⚠ Warning

The ice machine must be grounded in accordance with national and local electrical codes.

TOTAL CIRCUIT AMPACITY

The total circuit ampacity is used to help select the wire size of the electrical supply.

The wire size (or gauge) is also dependent upon location, materials used, length of run, etc., so it must be determined by a qualified electrician.

GROUND FAULT CIRCUIT INTERRUPTER

Ground Fault Circuit Interrupter (GFCI/GFI) protection is a system that shuts down the electric circuit (opens it) when it senses an unexpected loss of power, presumably to ground. Manitowoc does not recommend the use of a GFCI/GFI circuit protection with our equipment. If code requires the use of a GFCI/GFI then you must follow the local code. The circuit must be dedicated, sized properly and there must be a panel GFCI/GFI breaker. We do not recommend GFCI/GFI outlets as they are known for more intermittent nuisance trips than panel breakers.

⚠ Warning

If the supply cord is damaged, do not operate the equipment until the cord is replaced by a service agent or similarly qualified person.

ELECTRICAL SPECIFICATIONS

Ice Machine	Voltage Phase Cycle	Air-Cooled		Water Cooled	
		Maximum Fuse/ Circuit Breaker	Total Amps	Maximum Fuse/ Circuit Breaker	Total Amps
U140	115/1/60	15	*7.0	15	*6.3
	208-230/1/60	15	*3.1	--	--
	230/1/50	15	*3.0	--	--
U190	115/1/60	15	*7.2	15	*3.5
	208-230/1/60	15	*2.0	--	--
	230/1/50	15	*2.0	--	--
U240	115/1/60	15	*6.5	15	*6.1
	208-230/1/60	15	*3.6	15	*3.1
	230/1/50	15	*3.6	15	*3.1
U310	115/1/60	15	*10.7	15	*9.9
	208-230/1/60	15	*5.2	--	--
	230/1/50	15	*5.2	--	--

* Indicates preliminary data

Water Service/Drains

WATER SUPPLY

Local water conditions may require treatment of the water to inhibit scale formation, filter sediment, remove chlorine, and improve taste and clarity.

 **Caution**

Plumbing must conform to state and local codes.

Important

If you are installing a Manitowoc water filter system, refer to the Installation Instructions supplied with the filter system for ice making water inlet connections.

 **Warning**

For ice making, connect to a potable water supply only.

WATER INLET LINES

Follow these guidelines to install water inlet lines:

- Do not connect the ice machine to a hot water supply. Be sure all hot water restrictors installed for other equipment are working. (Check valves on sink faucets, dishwashers, etc.)
- If water pressure exceeds the maximum (80 psig-551.5 kPA) recommended pressure, obtain a water pressure regulator from your Manitowoc distributor.
- Install a water shut-off valve and union for both the ice making and condenser water lines.
- Insulate water inlet lines to prevent condensation.

DRAIN CONNECTIONS

Follow these guidelines when installing drain lines to prevent drain water from flowing back into the ice machine and storage bin:

- Drain lines must have a 1.5 inch drop per 5 feet of run (2.5 cm per meter), and must not create traps.
- The floor drain must be large enough to accommodate drainage from all drains.
- Run separate bin and water-cooled condenser drain lines. Insulate them to prevent condensation.
- Vent the ice machine drain. Do not vent the condenser drain on water-cooled models.

COOLING TOWER APPLICATIONS

(Water-Cooled Models)

A water cooling tower installation does not require modification of the ice machine. The water regulator valve for the condenser continues to control the refrigeration discharge pressure.

It is necessary to know the amount of heat rejection and the pressure drop through the condenser and water valves (inlet and outlet) when using a cooling tower on an ice machine.

- Water entering the condenser must not exceed 90°F (32°C).
- Water flow through the condenser must not exceed 5 gallons (19 liters) per minute.
- Allow for a pressure drop of 7 psi (48 kPA) between the condenser water inlet and the outlet of the ice machine.
- Water exiting the condenser must not exceed 110°F (43°C).

Important

The Commonwealth of Massachusetts requires that all water-cooled models must be connected only to a closed loop, cooling tower system.

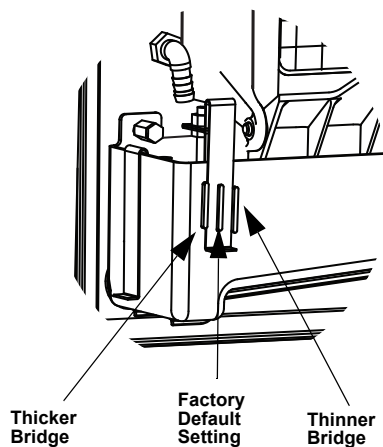
Water Supply and Drain Line Sizing/Connections

Location	Water Temperature	Water Pressure	Ice Machine Fitting	Tubing Size Up to Ice Machine Fitting
Ice Making Water Inlet	40°F (4°C) Min. 90°F (32°C) Max.	20 psi (137.9 kPA) Min. 80 psi (551.5 kPA) Max.	3/8" Female Pipe Thread	3/8" (9.5 mm) minimum inside diameter
Condenser Water Inlet	40°F (4°C) Min. 90°F (32°C) Max.	20 psi (137.9 kPA) Min. 150 psi (1034.2 kPA) Max.	3/8" Female Pipe Thread U310 Only 1/2" Female Pipe Thread	3/8" (9.5 mm) minimum inside diameter U310 Only 1/2" (12.7 mm) minimum inside diameter
Condenser Water Drain	---	---	1/2" Female Pipe Thread	1/2" (12.7 mm) minimum inside diameter
Bin Drain	---	---	1/2" Female Pipe Thread	1/2" (12.7 mm) minimum inside diameter

ICE THICKNESS ADJUSTMENT

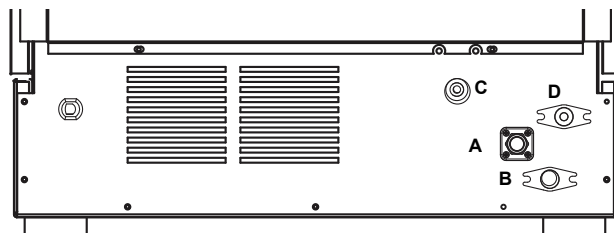
The ice thickness can be adjusted to three levels.

1. Pull forward on the bottom of the bracket until clear of the tab.
 2. Slide the bracket over the desired tab and release.
- The center position is the normal factory setting.
 - To increase bridge thickness, raise the water level.
 - To decrease bridge thickness, lower the water level.



WATER/DRAIN CONNECTIONS

- A. Potable Water Inlet
- B. Drain
- C. Condenser Water Inlet - (Water-cooled Only)
- D. Condenser Water Outlet - (Water-cooled Only)



Before Starting the Ice Machine

All Manitowoc ice machines are factory-operated and adjusted before shipment. Normally, new installations do not require any adjustment.

To ensure proper operation, follow the Operational Checks in Section 3 of this manual. Starting the ice machine and completing the Operational Checks are the responsibilities of the owner/operator.

Adjustments and maintenance procedures outlined in this manual are not covered by the warranty.

Warning

Do not operate equipment that has been misused, abused, neglected, damaged, or altered/modified from that of original manufactured specifications.

Installation Checklist

Is the ice machine level?

Has all of the internal packing been removed?

Have all of the electrical and water connections been made?

Has the supply voltage been tested and checked against the rating on the nameplate?

Is there proper clearance around the ice machine for air circulation?

Is the ice machine grounded and polarity correct?

Has the ice machine been installed where ambient temperatures will remain in the range of 40° – 110°F (4° – 43°C)?

Has the ice machine been installed where the incoming water temperature will remain in the range of 40° – 90°F (4° – 32°C)?

Is there a separate drain for the water-cooled condenser?

Is there a separate drain for the bin?

Is the ice machine drain vented?

Are all electrical leads free from contact with refrigeration lines and moving equipment?

Has the owner/operator been instructed regarding maintenance and the use of Manitowoc Cleaner and Sanitizer?

Has the owner/operator completed the warranty registration card?

Has the ice machine and bin been sanitized?

Has the On/Off button been pressed?

Section 3 Operation

Touch Pad Features

The touch pad offers a series of pressure sensitive buttons to control ice machine operation and provide operational status.



On/Off - Blue = Machine On
Off = Machine Is Off

Delay - Blue = Delay Mode On
Off = Delay Mode Is Off

Clean - Yellow = Clean Cycle On
Off = Cleaning is Off

Bin Full - Blue = Bin Is Full
Off = Bin Is Not Full

Service - Red = Needs Service
Off = Doesn't Need Service

ON/OFF

The On/Off Button is used to start and stop ice making. The blue light indicates whether the ice machine is in Ice Making (light on) or Off (light off).

DELAY

Pressing the Delay button will start a delay period. The ice machine will finish the freeze and harvest cycle and then start the delay period.

- Pressing the button once will start a 4 hour delay period.
- Pressing the button twice will start a 12 hour delay period.
- Pressing the button three times will start a 24 hour delay period.
- Pressing the button four times will cancel the delay periods.

NOTE: The delay period will be cancelled if power is interrupted to the ice machine. When power is restored, the ice machine will start an ice making cycle.

CLEAN

Pressing the Clean button for 3 seconds will start a clean cycle. After the clean cycle is complete, the ice machine will automatically start an ice making cycle.

- Pressing the Clean button again within 30 seconds of the clean cycle starting will abort the clean cycle.
- Pressing the Clean button after 45 seconds into the Clean cycle will de-energize the On/Off LED and the ice machine will stop after the Clean cycle is complete.

Pressing the On/Off button will pause the Clean cycle. The On/Off light will flash on/off to indicate pause mode. Pressing the On/Off button again will continue the Clean cycle from the point of interruption.

BIN FULL

The Bin Full light energizes when the bin is full or is de-energized if the bin is not full.

SERVICE

The service light indicates the machine needs attention.

- Refer to Section 5 for more information if this light is energized.

Ice Making Sequence of Operation

NOTE: The On/Off button must be depressed and the ice damper must be closed before the ice machine will start.

Water Purge Cycle

The ice machine purges any remaining water from the water trough down the drain.

Freeze Cycle

Prechill - The refrigeration system chills the evaporator before water flow over the evaporator starts. The water inlet valve energizes during the pre-chill and remains on until the ice thickness float switch is satisfied.

Freeze - Water flowing across the evaporator freezes and builds ice on the evaporator. After a sheet of ice has formed, the harvest float switch signals the control board to start a harvest cycle.

Harvest Cycle

Any remaining water is purged down the drain as refrigerant gas warms the evaporator. When the evaporator warms, the sheet of cubes slides off the evaporator and into the storage bin. If all cubes fall clear of the ice damper the ice machine starts another freeze cycle.

Full Bin Cycle

If the ice damper is held open by ice cubes the ice machine shuts off. When the ice damper closes the ice machine starts a new cycle at the water purge.

Control Board Timers

The control board has the following non-adjustable timers:

- The ice machine is locked into the freeze cycle for 6 minutes before a harvest cycle can be initiated.
- The maximum freeze time is 60 minutes at which time the control board automatically initiates a harvest sequence.
- The maximum harvest time is 3.5 minutes. The control board automatically initiates a freeze sequence when these times are exceeded.

SAFETY LIMITS

Safety limits are stored and indicated by the control board. The number of cycles required to stop the ice machine varies for each safety limit.

Safety limits can be reset by pressing the On/Off button and starting a new ice making cycle.

A safety limit is indicated by a flashing Service Light on the touch pad. Refer to Section 5 if you receive a safety limit indication.

- Safety Limit 1 - If the freeze time reaches 60 minutes, the control board automatically initiates a harvest cycle. If 6 consecutive 60-minute freeze cycles occur, the ice machine stops.
- Safety Limit 2 - If the harvest time reaches 3.5 minutes, the control board automatically returns the ice machine to the freeze cycle. If 500 consecutive 3.5 minute harvest cycles occur, the ice machine stops.
- Safety Limit 3 - If the freeze time reaches 4 minutes and water is not sensed, the ice machine stops and initiates a 30 minute delay period. The ice machine will automatically restart at the end of the 30 minute delay period. If 100 consecutive failures occur the ice machine stops.

Section 4

Maintenance

Interior Cleaning and Sanitizing

GENERAL

Clean and sanitize the ice machine every six months for efficient operation. If the ice machine requires more frequent cleaning and sanitizing, consult a qualified service company to test the water quality and recommend appropriate water treatment.

The ice machine must be taken apart for cleaning and sanitizing.

Caution

Use only Manitowoc approved Ice Machine Cleaner (part number 94-0546-3) and Sanitizer (part number 94-0565-3). Using a non Manitowoc cleaner or sanitizer may result in bodily harm and/or cause damage to the ice machine that is not covered under the warranty. Do not use cleaner or sanitizer quantities that exceed the amounts listed in this manual. It is a violation of Federal law to use these solutions in a manner inconsistent with their labeling. Read and understand all labels printed on bottles before use.

CLEANING AND SANITIZING PROCEDURE

Ice machine cleaner is used to remove lime scale and mineral deposits. Ice machine sanitizer disinfects and removes algae and slime.

Control Operation

Pressing and holding the clean button for 3 seconds starts the clean cycle. The Clean & On/Off lights energize indicating the clean cycle has started and ice making will automatically start when the Clean cycle is complete.

- **Setting the ice machine to stop after the clean cycle:** Press the On/Off button. The On/Off light will de-energize indicating the ice machine will stop after the clean cycle.
- **Pausing the cleaning cycle:** Press the Clean button. The clean light will flash indicating the clean cycle has paused. Pressing the Clean button again will restart the clean cycle.

Step 1 Press the On/Off button after ice falls from the evaporator at the end of a Harvest cycle. Or, press the On/Off button and allow the ice to melt off the evaporator.

Caution

Never use anything to force ice from the evaporator. Damage may result.

Step 2 Remove all ice from the bin.

Warning

Wear rubber gloves and safety goggles (and/or face shield) when handling Ice Machine Cleaner or Sanitizer.

Caution

Do not mix Ice Machine Cleaner and Sanitizer solutions together. It is a violation of Federal law to use these solutions in a manner inconsistent with their labeling.

Step 3 To start a cleaning cycle, press the Clean button. Water will flow through the water dump valve and down the drain. Wait until the water trough refills, then add the proper amount of ice machine cleaner to the water trough.

Model	Amount of Cleaner
U0140	2 ounces (60 ml)
U0190	5 ounces (150 ml)
U0240	5 ounces (150 ml)
U0310	5 ounces (150 ml)

Wait until the clean cycle is complete (approximately 22 minutes) then press the On/Off button and disconnect power and water supplies to the ice machine.

Step 4 Remove parts for cleaning.

Refer to the proper parts removal for your machine. Continue with step 6 when the parts have been removed.

Step 5 Mix a solution of cleaner and warm water. Depending on the amount of mineral buildup, a larger quantity of solution may be required. Use the ratio in the table below to mix enough solution to thoroughly clean all parts.

Solution Type	Water	Mixed with
Cleaner	1 gal. (4 l)	16 oz (500 ml) cleaner

Use half of the cleaner/water solution to clean all components. The cleaner solution will foam when it contacts lime scale and mineral deposits; once the foaming stops use a soft bristle brush, sponge or cloth (not a wire brush) to carefully clean the parts. Soak the parts for 5 minutes (15 – 20 minutes for heavily scaled parts). Rinse all components with clean water.

Step 6 While components are soaking, use half of the cleaner/water solution to clean all foodzone surfaces of the ice machine and bin. Use a nylon brush or cloth to thoroughly clean the following ice machine areas:

- Evaporator plastic parts – including top, bottom and sides
- Bin bottom, sides and top

Rinse all areas thoroughly with clean water.

Step 7 Mix a solution of sanitizer and warm water.

Solution Type	Water	Mixed With
Sanitizer	3 gal. (12 l)	2 oz (60 ml) sanitizer

Use half of the sanitizer/water solution to sanitize all removed components. Use a spray bottle to liberally apply the solution to all surfaces of the removed parts or soak the removed parts in the sanitizer/water solution. Do not rinse parts after sanitizing.

Step 8 Use half of the sanitizer/water solution to sanitize all foodzone surfaces of the ice machine and bin. Use a spray bottle to liberally apply the solution. When sanitizing, pay particular attention to the following areas:

- Evaporator plastic parts - including top, bottom and sides
- Bin bottom, sides and top

Do not rinse the sanitized areas.

Step 9 Replace all removed components, wait 10 minutes, then reapply power and water to the ice machine

Step 10 Press the Clean button. Water will flow through the water dump valve and down the drain. Wait until the water trough refills, then add the proper amount of ice machine sanitizer to the water trough.

Model	Amount of Sanitizer
U0140	1 ounces (30 ml)
U0190	2 ounces (60 ml)
U0240	2 ounces (60 ml)
U0310	2 ounces (60 ml)

Wait until the sanitize cycle is complete (approximately 22 minutes) then press the Ice button to start ice making.

REMOVE PARTS FOR CLEANING

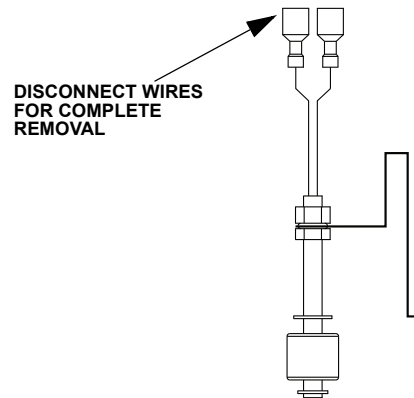
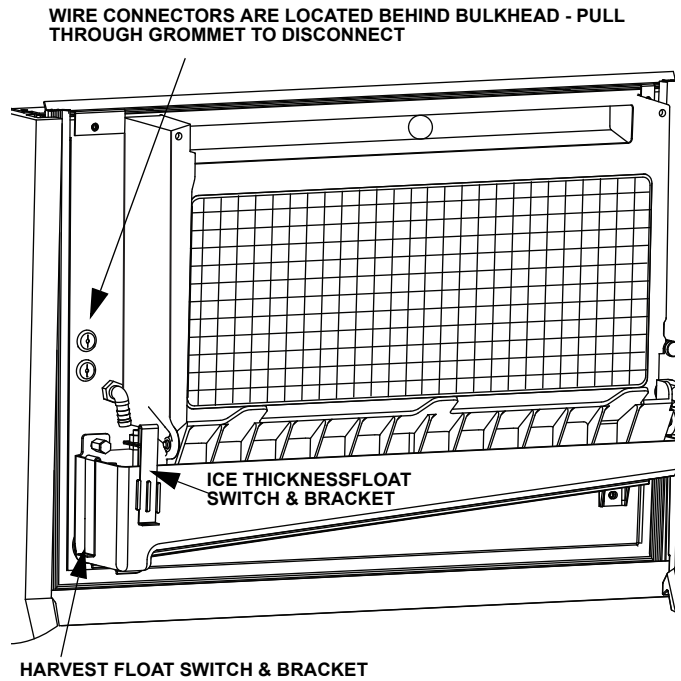
Warning

Disconnect electric power to the ice machine at the electric switch box before proceeding.

A. Remove the Ice Thickness and Harvest Float Switch

- Pull forward on the bottom of the bracket until clear of the tab, then slide bracket upward to remove the bracket and float switch as an assembly.

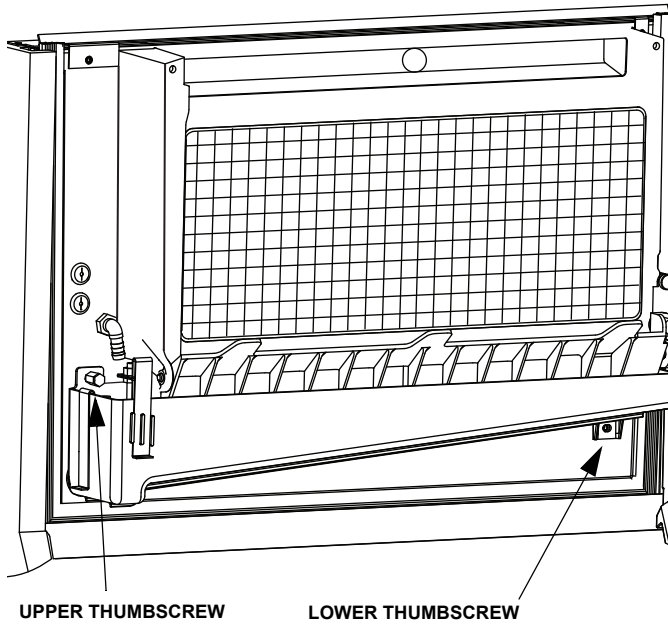
NOTE: At this point, the float switch can easily be cleaned. If complete removal is desired follow the wires to the bulkhead grommet (exit point) in the back wall. Pull the wire connector through the bulkhead grommet, then disconnect the wire leads from the connector.



Harvest or Ice Thickness Float Switch Removal

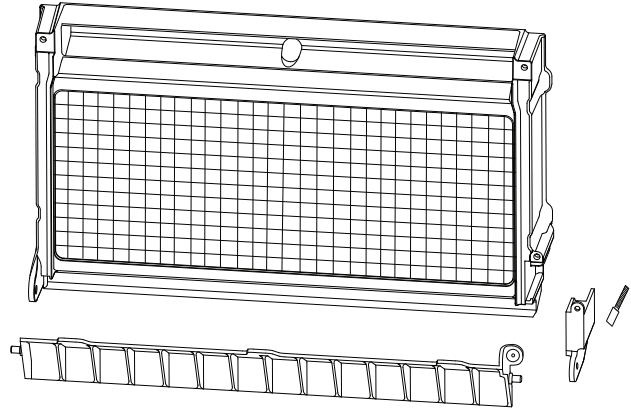
B. Remove the Water Trough

- Remove the upper thumbscrew.
- While supporting the water trough remove the thumbscrew from beneath the water trough.
- Remove the water trough from the bin area.



C. Remove the Ice Damper

- Remove thumbscrew from bin switch cover.
- Support ice damper and then pull bin switch cover and ice damper forward to remove.



1. REMOVE THUMBSCREW

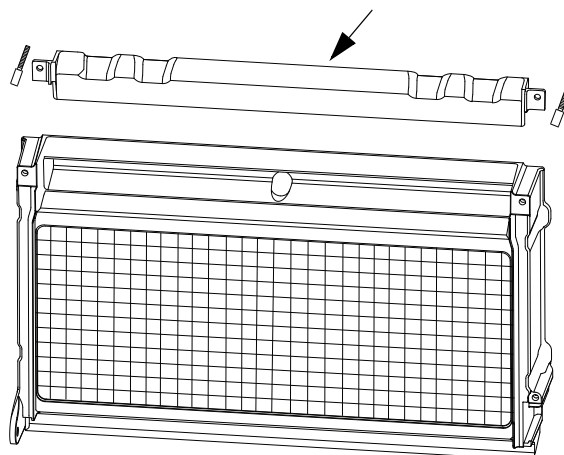
2. SUPPORT ICE DAMPER THEN SLIDE RIGHT SIDE FORWARD TO REMOVE

D. Remove the Water Distribution Tube

- Distribution tube thumbscrews are retained to prevent loss. Loosen thumbscrews but do not pull thumbscrews out of distribution tube.
- Loosen the two outer screws and pull forward on the distribution tube to release.

1. REMOVE THUMBSCREWS

2. PULL DISTRIBUTION TUBE FORWARD TO REMOVE




Water Distribution Tube Removal


Preventative Maintenance Cleaning

This cleaning procedure can be performed between the bi-annual cleaning and sanitizing cycles. This procedure does not require removing the ice from the bin.

Step 1 Press the On/Off button after ice falls from the evaporator at the end of a Harvest cycle. Or, press the On/Off button and allow the ice to melt off the evaporator.

 **Caution**

Never use anything to force ice from the evaporator. Damage may result.

 **Warning**

Wear rubber gloves and safety goggles (and/or face shield) when handling Ice Machine Cleaner or Sanitizer.

Step 2 To start a cleaning cycle, press the Clean button. Water will flow through the water dump valve and down the drain. Wait until the water trough refills, then add the proper amount of ice machine cleaner to the water trough.

Model	Amount of Cleaner
U0140	2 ounce (60 ml)
U0190	5 ounces (150 ml)
U0240	5 ounces (150 ml)
U0310	5 ounces (150 ml)

Wait until the clean cycle is complete (approximately 22 minutes) then press the On/Off button.

Ice Machine Inspection

Check all water fittings and lines for leaks. Also, make sure the refrigeration tubing is not rubbing or vibrating against other tubing, panels, etc.

Do not put anything (boxes, etc.) in front of the ice machine. There must be adequate airflow through and around the ice machine to maximize ice production and ensure long component life.

Exterior Cleaning

Clean the area around the ice machine as often as necessary to maintain cleanliness and efficient operation.

Sponge any dust and dirt off the outside of the ice machine with mild soap and water. Wipe dry with a clean, soft cloth.

Cleanup any fallen ice or water spills as they occur.

Cleaning the Condenser

GENERAL

 **Warning**

Disconnect electric power to the ice machine head section and the remote condensing unit at the electric service switches before cleaning the condenser.

A dirty condenser restricts airflow, resulting in excessively high operating temperatures. This reduces ice production and shortens component life.

- Clean the condenser at least every six months.

 **Warning**

The condenser fins are sharp. Use care when cleaning them.

- Shine a flashlight through the condenser to check for dirt between the fins.
- Blow compressed air or rinse with water from the inside out (opposite direction of airflow).
- If dirt still remains call a service agent to clean the condenser.

Removal from Service/Winterization

1. Clean and sanitize the ice machine.
2. Press the On/Off button to turn off the ice machine.
3. Turn off the water supply, disconnect and drain the incoming ice-making water line at the rear of the ice machine and drain the water trough.
4. Energize the ice machine, wait one minute for the water inlet valve to open and blow compressed air in both the incoming water and the drain openings in the rear of the ice machine to remove all water.
5. Press the On/Off button and disconnect the electric power at the circuit breaker or the electric service switch.
6. Fill spray bottle with sanitizer and spray all interior food zone surfaces. Do not rinse and allow to air dry.
7. Replace all panels.

Section 5

Customer Support

Checklist

If a problem arises during operation of your ice machine, follow the checklist below before calling service. Routine adjustments and maintenance procedures are not covered by the warranty.

Problem	Possible Cause	To Correct
Ice machine does not operate.	No electrical power to the ice machine.	Replace the fuse/reset the breaker/turn on the main switch/plug power cord into receptacle.
	Ice machine needs to be turned on.	Press the On/Off button to start ice making.
	Damper in open position (down).	Damper must be in upright position and capable of swinging freely.
Ice machine stops, and can be restarted by turning the ice machine OFF and then ON.	Safety limit feature stopping the ice machine.	Refer to "Safety Limit Feature" on the next page.
Ice sheet is thick	Water trough level is too high.	Adjust ice thickness float.
	Power button was turned off/on during freeze cycle and ice remained on evaporator.	Allow ice to thaw and release from evaporator, then restart.
	Ice damper was opened then closed in the harvest cycle before the ice released.	Allow ice to thaw and release from evaporator, then restart.
Ice machine does not release ice or is slow to harvest.	Ice machine is dirty.	Clean and sanitize the ice machine.
	Ice machine is not level.	Level the ice machine.
	Low air temperature around ice machine (air-cooled models).	Air temperature must be at least 40°F (4°C).
	Water regulating valve leaks in harvest mode (water-cooled models).	Replace water regulating valve.
Ice machine does not cycle into harvest mode.	The six-minute freeze time lock-in has not expired yet.	Wait for freeze lock-in to expire.
	Harvest float switch is dirty.	Clean and sanitize the ice machine.
	Harvest float switch wire is disconnected.	Connect the wire.
	Harvest float switch is out of adjustment.	Adjust the harvest float switch.
	Uneven ice fill (thin at top of evaporator).	See "Shallow or Incomplete Cubes" on the next page.
Ice quality is poor (soft or not clear).	Poor incoming water quality.	Contact a qualified service company to test the quality of the incoming water and make appropriate filter recommendations.
	Water filtration is poor.	Replace the filter.
	Ice machine is dirty.	Clean and sanitize the ice machine.
	Water softener is working improperly (if applicable).	Repair the water softener.

Continued on next page...

Problem	Possible Cause	To Correct
Ice machine produces shallow or incomplete cubes, or the ice fill pattern on the evaporator is incomplete.	Ice thickness switch is out of adjustment.	Adjust the ice thickness switch.
	Water trough level is too high or too low.	Check the water level.
	Water filtration is poor.	Replace the filter.
	Hot incoming water.	Connect the ice machine to a cold water supply.
	Incorrect incoming water pressure.	Water pressure must be 20-80 psi (137.9 - 551.5 kPa).
	Ice machine is not level.	Level the ice machine.
Low ice capacity.	The condenser is dirty.	Clean the condenser.
	High air temperature around ice machine (air-cooled models).	Air temperature must not exceed 110°F (43°C).
	Inadequate clearance around the ice machine.	Provide adequate clearance.
	Objects stacked around ice machine, blocking airflow to condenser (air-cooled models).	Remove items blocking airflow.
	Hot incoming water.	Connect the ice machine to a cold water supply.
	Incorrect incoming water pressure. Water pressure is too low or water filter is restricted.	Water pressure must be 20-80 psi (137.9 - 551.5 kPa). Refer to section 2 for plumbing requirements. Replace water filter.

Safety Limit Feature

In addition to the standard safety controls, such as the high pressure cutout, your Manitowoc ice machine features built-in safety limits which will stop the ice machine if conditions arise which could cause a major component failure.

Before calling for service, re-start the ice machine using the following procedure:

1. Press the On/Off button and turn off the ice machine, then press the On/Off button again to start the ice machine.
 - A. If the safety limit feature has stopped the ice machine, it will restart after a short delay. Proceed to step 2.
 - B. If the ice machine does not restart, see "Ice machine does not operate" on the previous page.
2. Allow the ice machine to run to determine if the condition is recurring.
 - A. If the ice machine stops again, the condition has recurred. Call for service.
 - B. If the ice machine continues to run, the condition has corrected itself. Allow the ice machine to continue running.

Commercial Ice Machine Warranty

Manitowoc Ice, Inc. (hereinafter referred to as the "COMPANY") warrants for a period of thirty-six months from the installation date (except as limited below) that new ice machines manufactured by the COMPANY shall be free of defects in material or workmanship under normal and proper use and maintenance as specified by the COMPANY and upon proper installation and start-up in accordance with the instruction manual supplied with the ice machine. The COMPANY's warranty hereunder with respect to the compressor shall apply for an additional twenty-four months, excluding all labor charges, and with respect to the evaporator for an additional twenty-four months, including labor charges.

The obligation of the COMPANY under this warranty is limited to the repair or replacement of parts, components, or assemblies that in the opinion of the COMPANY are defective. This warranty is further limited to the cost of parts, components or assemblies and standard straight time labor charges at the servicing location.

Time and hourly rate schedules, as published from time to time by the COMPANY, apply to all service procedures. Additional expenses including without limitation, travel time, overtime premium, material cost, accessing or removal of the ice machine, or shipping are the responsibility of the owner, along with all maintenance, adjustments, cleaning, and ice purchases. Labor covered under this warranty must be performed by a COMPANY Contracted Service Representative or a refrigeration service agency as qualified and authorized by the COMPANY's local Distributor. The COMPANY's liability under this warranty shall in no event be greater than the actual purchase price paid by customer for the ice machine.

The foregoing warranty shall not apply to (1) any part or assembly that has been altered, modified, or changed; (2) any part or assembly that has been subjected to misuse, abuse, neglect, or accidents; (3) any ice machine that has been installed and/or maintained inconsistent with the technical instructions provided by the COMPANY; or (4) any ice machine initially installed more than five years from the serial number production date. This warranty shall not apply if the Ice Machine's refrigeration system is modified with a condenser, heat reclaim device, or parts and assemblies other than those manufactured by the COMPANY, unless the COMPANY approves these modifications for specific locations in writing.

THIS WARRANTY IS IN LIEU OF ALL OTHER WARRANTIES OR GUARANTEES OF ANY KIND, EXPRESSED OR IMPLIED, INCLUDING ANY IMPLIED WARRANTY OF MERCHANTABILITY OR FITNESS FOR A PARTICULAR PURPOSE. In no event shall the COMPANY be liable for any special, indirect, incidental or consequential damages. Upon the expiration of the warranty period, the COMPANY's liability under this warranty shall terminate. The foregoing warranty shall constitute the sole liability of the COMPANY and the exclusive remedy of the customer or user.

To secure prompt and continuing warranty service, the warranty registration card must be completed and sent to the COMPANY within five (5) days from the installation date.

Complete the following and retain for your record:

Distributor/Dealer _____
Model Number _____ Serial Number _____
Installation Date _____

MANITOWOC ICE
2110 So. 26th St., P.O. Box 1720, Manitowoc, WI 54221-1720
Telephone: 920-682-0161 • Fax: 920-683-7585
Web Site - www.manitowocice.com
Form 80-0375-3 Rev. 01-02

Residential Ice Machine Limited Warranty

WHAT DOES THIS LIMITED WARRANTY COVER?

Subject to the exclusions and limitations below, Manitowoc Foodservice ("Manitowoc") warrants to the original consumer that any new ice machine manufactured by Manitowoc (the "Product") shall be free of defects in material or workmanship for the warranty period outlined below under normal use and maintenance, and upon proper installation and start-up in accordance with the instruction manual supplied with the Product.

HOW LONG DOES THIS LIMITED WARRANTY LAST?

<u>Product Covered</u>	<u>Warranty Period</u>
Ice Machine	Twelve (12) months from the sale date

WHO IS COVERED BY THIS LIMITED WARRANTY?

This limited warranty only applies to the original consumer of the Product and is not transferable.

WHAT ARE MANITOWOC ICE'S OBLIGATIONS UNDER THIS LIMITED WARRANTY?

If a defect arises and Manitowoc receives a valid warranty claim prior to the expiration of the warranty period, Manitowoc shall, at its option: (1) repair the Product at Manitowoc's cost, including standard straight time labor charges, (2) replace the Product with one that is new or at least as functionally equivalent as the original, or (3) refund the purchase price for the Product. Replacement parts are warranted for 90 days or the balance of the original warranty period, whichever is longer. The foregoing constitutes Manitowoc's sole obligation and the consumer's exclusive remedy for any breach of this limited warranty. Manitowoc's liability under this limited warranty is limited to the purchase price of Product. Additional expenses including, without limitation, service travel time, overtime or premium labor charges, accessing or removing the Product, or shipping are the responsibility of the consumer.

HOW TO OBTAIN WARRANTY SERVICE

To obtain warranty service or information regarding your Product, please contact us at:
 MANITOWOC FOODSERVICE
 2110 So. 26th St.
 P.O. Box 1720,
 Manitowoc, WI 54221-1720
 Telephone: 920-682-0161 Fax: 920-683-7585
www.manitowocice.com

WHAT IS NOT COVERED?

This limited warranty does not cover, and you are solely responsible for the costs of: (1) periodic or routine maintenance, (2) repair or replacement of the Product or parts due to normal wear and tear, (3) defects or damage to the Product or parts resulting from misuse, abuse, neglect, or accidents, (4) defects or damage to the Product or parts resulting from improper or unauthorized alterations, modifications, or changes; and (5) defects or damage to any Product that has not been installed and/or maintained in accordance with the instruction manual or technical instructions provided by Manitowoc. To the extent that warranty exclusions are not permitted under some state laws, these exclusions may not apply to you.

EXCEPT AS STATED IN THE FOLLOWING SENTENCE, THIS LIMITED WARRANTY IS THE SOLE AND EXCLUSIVE WARRANTY OF MANITOWOC WITH REGARD TO THE PRODUCT. ALL IMPLIED WARRANTIES ARE STRICTLY LIMITED TO THE DURATION OF THE LIMITED WARRANTY APPLICABLE TO THE PRODUCTS AS STATED ABOVE, INCLUDING BUT NOT LIMITED TO, ANY WARRANTY OF MERCHANTABILITY OR OF FITNESS FOR A PARTICULAR PURPOSE.

Some states do not allow limitations on how long an implied warranty lasts, so the above limitation may not apply to you.

IN NO EVENT SHALL MANITOWOC OR ANY OF ITS AFFILIATES BE LIABLE TO THE CONSUMER OR ANY OTHER PERSON FOR ANY INCIDENTAL, CONSEQUENTIAL OR SPECIAL DAMAGES OF ANY KIND (INCLUDING, WITHOUT LIMITATION, LOSS PROFITS, REVENUE OR BUSINESS) ARISING FROM OR IN ANY MANNER CONNECTED WITH THE PRODUCT, ANY BREACH OF THIS LIMITED WARRANTY, OR ANY OTHER CAUSE WHATSOEVER, WHETHER BASED ON CONTRACT, TORT OR ANY OTHER THEORY OF LIABILITY.

Some states do not allow the exclusion or limitation of incidental or consequential damages, so the above limitation or exclusion may not apply to you.

HOW STATE LAW APPLIES

This limited warranty gives you specific legal rights, and you may also have rights that vary from state to state or from one jurisdiction to another.

REGISTRATION CARD

To secure prompt and continuing warranty service, this warranty registration card must be completed and sent to Manitowoc within thirty (30) days from the sale date. Complete the following registration card and send it to Manitowoc.

Table des matières

Section 1

Informations générales

Numéros de modèles	27
Accessoires	29
Roulettes	29
Système de filtration d'eau Arctic Pure	29
Nettoyant et désinfectant Manitowoc	29

Section 2

Instructions d'installation

Emplacement de la machine à glaçons	31
Chaleur de rejet de la machine à glaçons	31
Nivellement de la machine à glaçons	31
Alimentation électrique	32
Généralité	32
Tension	32
Fusible/Disjoncteur	32
Courant admissible total de circuit	32
Disjoncteur de fuite de terre	32
Caractéristiques électriques	33
Service d'eau/Évacuations	34
Alimentation en eau	34
Lignes d'arrivée d'eau	34
Raccordements d'évacuation	34
Applications avec tour de refroidissement	34
Dimensionnement/Raccordements des conduites d'alimentation en eau et d'évacuation	35
Réglage du niveau d'eau	35
Raccords d'évacuation/d'eau	35
Avant la mise en marche de la machine à glaçons	36
Liste de vérification de la procédure d'installation	36

Section 3

Fonctionnement

Caractéristiques du Panneau de commande	37
Alimentation	37
Temporisation	37
Nettoyage	37
Bac plein	37
Service	37
Séquence de fabrication des glaçons	38
Limites de sécurité	38

Table des matières (suite)

Section 4 Entretien

Nettoyage intérieur et désinfection	39
Généralité	39
Procédure de nettoyage et de désinfection	39
Dépose des pièces pour le nettoyage	41
Nettoyage périodique d'entretien	43
Inspection de la machine à glaçons	43
Nettoyage extérieur	43
Nettoyage du condenseur	44
Généralité	44
Mise hors service/Hivérisation	44

Section 5 Soutien à la clientèle

Liste de vérification	45
Fonction de limite de sécurité	46
Garantie commerciale de la machine à glaçons	47
Garantie limitée de la machine à glaçons résidentielle	48

Section 1

Informations générales

Numéros de modèles

Le présent manuel s'applique aux modèles suivants :

Autonome Refroidi à l'air	Autonome Refroidi à l'eau
UD0140A	UD0140W
UD0140AE	UD0140WE
UY0140A	UY0140W
UY0140AE	UY0140WE
UR0140A	--
UR0140AE	--
UD0190A	UD0190W
UD0190AE	UD0190WE
UY0190A	UY0190W
UY0190AE	UY0190WE
UR0190A	--
UR0190AE	--
UD0240A	UD0240W
UD0240AE	UD0240WE
UY0240A	UY0240W
UY0240AE	UY0240WE
UR0240A	--
UR0240AE	--
UD0310A	UD0310W
UD0310AE	UD0310WE
UY0310A	UY0310W
UY0310AE	UY0310WE
UR0310A	--
UR0310AE	--

Lisez ces informations avant de procéder :

Advertissement

Cet appareil ne doit pas être utilisé par des personnes (enfants y compris) ayant des capacités physiques, sensorielles ou mentales diminuées, ou ayant un manque d'expérience et de connaissance, à moins que celles-ci n'aient reçu une formation sur l'utilisation de l'appareil par une personne responsable de leur sécurité. Ne pas laisser les enfants jouer avec l'appareil.

Attention

L'installation, le soin et l'entretien adéquats sont essentiels pour une performance maximale et un fonctionnement sans problème de votre équipement. Visitez notre site Web à www.manitowogfsg.com pour obtenir les renseignements sur les mises à jour des manuels, les traductions ainsi que les coordonnées des agents de service dans votre localité.

Important

Les ajustements de routine et les procédures d'entretien décrits dans ce manuel ne sont pas couverts par la garantie.

Advertissement

Lisez attentivement le présent manuel avant l'utilisation, l'installation ou l'entretien sur l'équipement. Le défaut de suivre les instructions dans ce manuel peut provoquer des dommages, des blessures ou la mort.

Advertissement

N'utilisez pas d'appareils et accessoires électriques autres que ceux fournis par Manitowoc pour votre modèle de machine à glaçons.

Advertissement

Deux personnes ou plus, ou un appareil de levage sont nécessaires pour soulever cet appareil.

 Advertissement

Cet équipement comporte une alimentation électrique haute tension ainsi qu'une charge de liquide frigorigène. L'installation et les réparations doivent être effectuées par des techniciens formés qui sont connaissent les dangers liés à une alimentation électrique haute tension et au liquide frigorigène sous pression. Le technicien doit être également certifié dans le secteur de la manipulation de liquides frigorigènes et les procédures d'entretien. Toutes les procédures de verrouillage et étiquetage doivent être observées lors de tout travail sur cet équipement.

 Advertissement

Ne pas endommager le circuit de réfrigération lors de l'installation, de l'entretien ou de la réparation de l'appareil.

 Advertissement

Ne faites pas fonctionner un équipement qui a été mal utilisé, abusé, négligé, endommagé ou dont les spécifications originales de fabrication ont été altérées/modifiées. Cet appareil ne doit pas être utilisé par des personnes (enfants y compris) ayant des capacités physiques, sensorielles ou mentales diminuées, ou ayant un manque d'expérience et de connaissance, à moins que celles-ci n'aient reçu une formation sur l'utilisation de l'appareil par une personne responsable de leur sécurité. Ne pas laisser les enfants jouer avec l'appareil.

 Advertissement

Tous les couvercles et panneaux d'accès doivent être en place et correctement fixés avant d'utiliser cet équipement.

 Advertissement

Ne pas obstruer les ouvertures ni les orifices de la machine.

 Advertissement

Ne stockez pas de l'essence ou autres vapeurs ou liquides inflammables à proximité de cet ou de tout autre appareil.

 Advertissement

Ne nettoyez pas avec un jet d'eau.

 Advertissement

Le propriétaire de cet équipement est responsable d'évaluer les risques pour prévoir un équipement de protection personnelle afin d'assurer une protection adéquate pendant les procédures d'entretien.

⚠ Advertissement

Deux personnes ou plus sont nécessaires pour déplacer cet équipement afin d'empêcher qu'il bascule.

⚠ Advertissement

Seul le personnel formé et qualifié conscient des risques associés au frigorigène sous pression, aux décharges électriques, aux levages et déplacements inappropriés doit installer, entretenir ou réparer cet équipement.

⚠ Advertissement

Lisez attentivement le présent manuel avant l'utilisation, l'installation ou l'entretien sur l'équipement.

⚠ Advertissement

Tous les couvercles et panneaux d'accès doivent être en place et correctement fixés avant d'utiliser cet équipement.

⚠ Advertissement

Ne pas endommager le circuit de réfrigération lors de l'installation, de l'entretien ou de la réparation de l'appareil.

Accessoires

Communiquez avec votre distributeur Manitowoc pour obtenir ces accessoires optionnels :

ROULETTES

Pattes standard de rechange.

SYSTÈME DE FILTRATION D'EAU ARCTIC PURE

Conçu spécifiquement pour les machines à glaçons Manitowoc, le filtre à eau Arctic Pure est une méthode efficace, fiable et abordable pour empêcher la formation de tartre, filtrer les sédiments et éliminer le goût et l'odeur du chlore.

NETTOYANT ET DÉSINFECTANT MANITOWOC

Le nettoyant et le désinfectant pour machine à glaçons Manitowoc sont offerts en format bouteille pratique de 473 ml (16 oz) et de 3,78 l (1 gallon). Ces produits sont les seuls nettoyants et désinfectants approuvés pour usage avec les produits Manitowoc.

Réf. Nettoyant		Réf. Désinfectant	
16 oz	94-0456-3	16 oz	94-0565-3
1 gallon	94-0580-3	1 gallon	94-0581-3

LuminIce™

L'inhibiteur de croissance LuminIce™ fait circuler l'air dans la zone alimentaire de la machine à glaçons sur une ampoule UV. Ce procédé entravera la croissance de micro-organismes communs sur toutes les surfaces exposées de la zone alimentaire.

- Les ampoules LuminIce™ doivent être remplacées sur une base annuelle. Même si l'ampoule illuminera encore après 12 mois, l'efficacité de l'ampoule diminue au fur et à mesure que les heures de fonctionnement augmentent. Pour garder une efficacité maximale, remplacer l'ampoule tous les 12 mois.

Procédure de nettoyage lors d'un bris accidentel de l'ampoule

La procédure de nettoyage est identique à la procédure utilisée pour nettoyer la lampe fluorescente compacte (LFC) ou les tubes fluorescents. Ces lampes contiennent une petite quantité de mercure scellé dans le tube de verre. Briser ce type de lampes relâchera du mercure et des vapeurs de mercure. L'ampoule brisée peut continuer de relâcher des vapeurs de mercure jusqu'à ce qu'elle soit nettoyée et enlevée.

Les procédures les plus récentes de l'EPA peuvent être consultées sur leur site web au www.epa.gov/cfl/cflcleanup.html.

Section 2

Instructions d'installation

Emplacement de la machine à glaçons

Le choix de l'emplacement pour la machine à glaçons doit respecter les critères suivants. Si l'un de ces critères n'est pas respecté, choisir un autre emplacement.

- L'emplacement doit être à l'intérieur.
- L'emplacement doit être exempt d'agents aéroportés et de tous autres contaminants.
- La température de l'air doit être d'au moins de 4 °C (40 °F) sans toutefois excéder 43 °C (110 °F).
- L'emplacement ne doit pas se trouver à proximité d'appareils générateurs de chaleur ou à la lumière directe du soleil.
- L'emplacement doit pouvoir supporter le poids de la machine à glaçons et un bac plein de glaçons.
- L'emplacement doit permettre un dégagement suffisant pour les raccordements d'eau et d'évacuation ainsi que les branchements électriques à l'arrière de la machine à glaçons.
- L'emplacement ne doit pas obstruer la circulation d'air à travers et autour de la machine à glaçons (l'entrée et la sortie de la circulation d'air s'effectuent à l'avant). Consulter le tableau ci-dessous pour obtenir les conditions d'espace requises.
- L'emplacement ne doit pas être à proximité des déchets ou de tous autres contaminants.

	Autonome Refroidi à l'air	Autonome Refroidi à l'eau
Haut/Côtés	127 mm (5 po)*	127 mm (5 po)*
Arrière	127 mm (5 po)*	127 mm (5 po)*

REMARQUE : La machine à glaçons peut être encastrée dans une armoire. Il n'y a aucune exigence de dégagement minimum pour le dessus et les côtés de la machine à glaçons. Les valeurs indiquées sont recommandées uniquement pour un fonctionnement et un entretien efficaces.

Attention

La machine à glaçons doit être protégée si elle est susceptible d'être soumise à des températures inférieures à 0 °C (32 °F). Toute défaillance due à une exposition à des températures inférieures à 0°C n'est pas couverte par la garantie. Vous reporter à la section 4 « Mise hors service/Hivérization ».

Chaleur de rejet de la machine à glaçons

Série Machine à glaçons	Chaleur de rejet*	
	Conditionnement d'air**	Crête
U140	2400	2900
U190	2200	2600
U240	2400	3400
U310	3800	6000

* B.T.U./Heure

** Étant donné que la chaleur de rejet varie durant le cycle de fabrication de glaçons, la figure illustrée est une moyenne.

Les machines à glaçons, tout comme tout autre équipement de réfrigération, rejettent la chaleur par le condenseur. Il est utile de connaître la quantité de chaleur rejetée par la machine à glaçons lors du dimensionnement du matériel de conditionnement d'air où sont installées les machines à glaçons autonomes refroidies à l'air.

Advertissment

Deux personnes ou plus, ou un appareil de levage sont nécessaires pour soulever cet appareil.

Nivellement de la machine à glaçons

1. Visser les pattes de nivellement sur le dessous de la machine à glaçons.
2. Visser le pied de chaque patte aussi loin que possible.

Attention

Les pattes doivent être bien serrées pour les empêcher de se courber.

3. Déplacer la machine à glaçons à son emplacement définitif.

Advertissment

Ne pas obstruer les ouvertures ni les orifices de la machine à glaçons.

4. Mettre de niveau la machine à glaçons en plaçant un niveau à bulle d'air sur le dessus de la machine à glaçons. Tourner chaque pied au besoin afin de mettre de niveau la machine à glaçons dans les axes de l'avant à l'arrière et de côté à côté.

Alimentation électrique

GÉNÉRALITÉ

Advertissement

Tout le câblage doit être conforme aux codes locaux, régionaux et nationaux.

Attention

Faire fonctionner l'équipement uniquement sur le type d'électricité indiqué sur la plaque signalétique.

TENSION

La variation de tension admissible maximale est de +/- 10 % de la tension nominale indiquée sur la plaque de numéro de modèle/série de la machine à glaçons au démarrage (lorsque la charge électrique est la plus haute).

Les machines à glaçons 115/1/60 sont précâblées à l'usine avec un cordon d'alimentation NEMA 5-15P de 2,44 m (8 pi).

Les machines à glaçons 208-230/1/60 et 230/50/1 sont précâblées à l'usine avec un cordon d'alimentation de 2,44 m (8 pi), aucune fiche n'est fournie.

FUSIBLE/DISJONCTEUR

Un fusible/disjoncteur séparé doit être fourni pour chaque machine à glaçons.

Advertissement

La machine à glaçons doit être mise à la terre conformément aux codes de l'électricité nationaux et locaux.

COURANT ADMISSIBLE TOTAL DE CIRCUIT

Le courant admissible total de circuit permet de sélectionner le calibre du câble de l'alimentation électrique.

La dimension de câble (ou le calibre) dépend également de l'emplacement, des matériaux utilisés, de la longueur de la conduite, etc., celle-ci doit donc être déterminée par un électricien qualifié.

DISJONCTEUR DE FUITE DE TERRE

Une protection par disjoncteur de fuite de terre (GFCI/ GFI) est un système qui coupe le circuit électrique (l'ouvre) quand il détecte une perte inattendue de courant, probablement à la terre. Manitowoc ne recommande pas l'emploi d'un disjoncteur de fuite de terre avec notre équipement. Si le code requiert l'emploi d'un disjoncteur de fuite de terre, il convient alors de respecter le code local. Le circuit doit être spécialisé, de dimensions correctes et il doit y avoir un disjoncteur de fuite de terre de panneau. Nous ne recommandons l'emploi de prises électriques avec disjoncteur de fuite de terre étant donné qu'elles sont connues pour provoquer davantage de défaillances parasites intermittentes que les disjoncteurs de panneau.

Advertissement

Si le cordon d'alimentation est endommagé, ne pas faire fonctionner l'appareil tant que le cordon n'a pas été remplacé par un agent de service ou une personne qualifiée.

CARACTÉRISTIQUES ÉLECTRIQUES

Machine à glaçons	Tension Phase Cycle	Refroidi à l'air		Refroidi à l'eau	
		Fusible/Disjoncteur maximum	Intensité de courant totale	Fusible/Disjoncteur maximum	Intensité de courant totale
U140	115/1/60	15	*7,0	15	*6,3
	208-230/1/60	15	*3,1	--	--
	230/1/50	15	*3,0	--	--
U190	115/1/60	15	*7,2	15	*3,5
	208-230/1/60	15	*2,0	--	--
	230/1/50	15	*2,0	--	--
U240	115/1/60	15	*6,5	15	*6,1
	208-230/1/60	15	*3,6	15	*3,1
	230/1/50	15	*3,6	15	*3,1
U310	115/1/60	15	*10,7	15	*9,9
	208-230/1/60	15	*5,2	--	--
	230/1/50	15	*5,2	--	--

* Signifie des données préliminaires

Service d'eau/Évacuations

ALIMENTATION EN EAU

En fonction des conditions d'eau locales, il peut s'avérer nécessaire de traiter l'eau pour empêcher la formation de tartre, filtrer les sédiments et améliorer le goût et la clarté.

Attention

La tuyauterie doit être conforme aux codes locaux et régionaux.

Important

Pour l'installation d'un système de filtration d'eau Manitowoc, vous référer aux instructions d'installation fournies avec le système de filtration pour les raccordements d'arrivée d'eau de fabrication de glaçons.

Advertissement

Pour la fabrication de glaçons, connecter à une alimentation en eau potable uniquement.

LIGNES D'ARRIVÉE D'EAU

Suivre ces directives pour l'installation des conduites d'arrivée d'eau :

- Ne pas raccorder la machine à glaçons à une alimentation en eau chaude. S'assurer que tous les restricteurs d'eau chaude installés pour les autres appareils fonctionnent. (clapets de non-retour sur robinets d'éviers, lave-vaisselle, etc.)
- Si la pression d'eau dépasse la pression maximale recommandée (80 psig/551,5 kPa), vous procurer un régulateur de pression d'eau auprès d'un distributeur Manitowoc.
- Installer un robinet d'arrêt d'eau et un raccord-union pour les deux conduites d'eau pour la fabrication de glaçons et du condenseur.
- Isoler les conduites d'arrivée d'eau pour éviter les problèmes de condensation.

RACCORDEMENTS D'ÉVACUATION

Suivre ces directives lors de l'installation des conduites d'évacuation pour empêcher l'eau d'évacuation de retourner s'écouler dans la machine à glaçons et dans le bac de stockage :

- Les conduites d'évacuation doivent comporter une descente de 2,5 cm par mètre (1,5 pouce par 5 pieds) et ne doivent pas créer de siphons.
- Le siphon de sol doit être suffisamment grand pour recevoir l'eau provenant de toutes les évacuations.
- Acheminer séparément les conduites d'évacuation de bac et de condenseur refroidi à l'eau. Les isoler pour prévenir la condensation.
- Ventiler la conduite d'évacuation de la machine à glaçons. Ne pas ventiler l'évacuation du condenseur sur les modèles refroidis à l'eau.

APPLICATIONS AVEC TOUR DE REFROIDISSEMENT

(Modèles refroidis à l'eau)

Une installation avec tour de refroidissement à eau ne requiert pas de modification de la machine à glaçons. Le régulateur d'eau du condenseur continue de contrôler la pression de refoulement de réfrigération.

Il est nécessaire de connaître la quantité de chaleur rejetée ainsi que la chute de pression dans le condenseur et les robinets d'eau (entrée et sortie) lors de l'utilisation d'une tour de refroidissement sur une machine à glaçons.

- La température de l'eau arrivant dans le condenseur ne doit pas dépasser 32 °C (90 °F).
- La quantité d'eau traversant le condenseur ne doit pas dépasser 19 litres (5 gallons) par minute.
- Prévoir une chute de pression de 48 kPa (7 psi) entre l'arrivée d'eau du condenseur et la sortie de la machine à glaçons.
- La température de l'eau arrivant dans le condenseur ne doit pas dépasser 43 °C (110 °F).

Important

L'État du Massachusetts exige que tous les modèles refroidis à l'eau soient raccordés uniquement à un système de tour de refroidissement à boucle fermée.

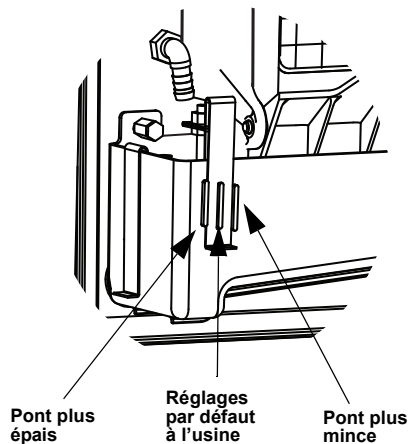
Dimensionnement/Raccordements des conduites d'alimentation en eau et d'évacuation

Emplacement	Température de l'eau	Pression d'eau	Raccordement de la machine à glaçons	Dimension de tubulure jusqu'à raccordement de machine à glaçons
Arrivée d'eau pour la fabrication de glaçons	4 °C (40 °F) Min. 32 °C (90 °F) Max.	137,9 kPa (20 psi) Min. 551,5 kPa (80 psi) Max.	Filetage femelle de tuyau de 3/8 po	3/8 po diamètre intérieur minimum
Arrivée d'eau de condenseur	4 °C (40 °F) Min. 32 °C (90 °F) Max.	137,9 kPa (20 psi) Min. 1034,2 kPa (150 psi) Max.	Filetage femelle de tuyau de 3/8 po U310 seulement Filetage femelle de tuyau de 1/2 po	3/8 po diamètre intérieur minimum U310 seulement 1/2 po diamètre intérieur minimum
Évacuation d'eau du condenseur	---	---	Filetage femelle de tuyau de 1/2 po	1/2 po diamètre intérieur minimum
Évacuation de bac	---	---	Filetage femelle de tuyau de 1/2 po	1/2 po diamètre intérieur minimum

RÉGLAGE DU NIVEAU D'EAU

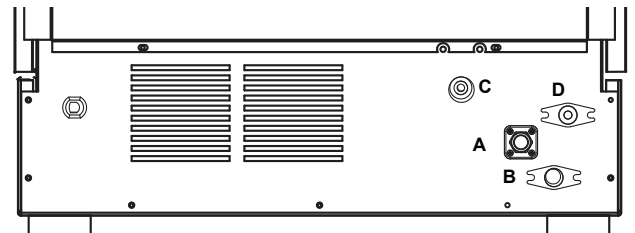
Le niveau d'eau peut être réglé à trois niveaux.

1. Tirer vers l'avant au bas du support jusqu'au dégagement de la languette.
 2. Glisser le support sur la languette souhaitée et relâcher.
- La position du centre est le réglage normal de l'usine.
 - Pour augmenter l'épaisseur du pont, hausser le niveau d'eau.
 - Pour diminuer l'épaisseur du pont, abaisser le niveau d'eau.



RACCORDS D'ÉVACUATION/D'EAU

- A. Arrivée d'eau potable
- B. Drain
- C. Arrivée d'eau du condenseur - (Refroidi à l'eau seulement)
- D. Sortie d'eau du condenseur - (Refroidi à l'eau seulement)



Avant la mise en marche de la machine à glaçons

Toutes les machines à glaçons Manitowoc sont mises en route et ajustées en usine avant l'expédition. Normalement, les nouvelles installations ne requièrent aucun ajustement.

Pour garantir un bon fonctionnement, suivre les Contrôles opérationnels figurant à la Section 3 du présent manuel. La mise en marche de la machine à glaçons et exécuter les contrôles opérationnels sont la responsabilité du propriétaire/de l'opérateur.

Les réglages et les procédures de maintenance indiqués dans ce manuel ne sont pas couverts par la garantie.

Advertissement

Ne faites pas fonctionner un équipement qui a été mal utilisé, abusé, négligé, endommagé ou dont les spécifications originales de fabrication ont été altérées/modifiées.

Liste de vérification de la procédure d'installation

- | | |
|---|--|
| <input type="checkbox"/> La machine à glaçons est-elle de niveau ? | <input type="checkbox"/> Y a-t-il une évacuation séparée pour le bac ? |
| <input type="checkbox"/> L'emballage interne a-t-il été retiré ? | <input type="checkbox"/> L'évacuation de la machine à glaçons est-elle ventilée ? |
| <input type="checkbox"/> Tous les raccordements électriques et d'eau ont-ils été effectués ? | <input type="checkbox"/> Tous les fils électriques sont-ils exempts de contact des lignes de réfrigération et de l'équipement mobile ? |
| <input type="checkbox"/> La tension d'alimentation a-t-elle été testée et vérifiée par rapport à la valeur nominale indiquée sur la plaque signalétique ? | <input type="checkbox"/> Le propriétaire/l'utilisateur a-t-il été informé de l'entretien et de l'utilisation du nettoyant et du désinfectant Manitowoc ? |
| <input type="checkbox"/> Y a-t-il un dégagement suffisant autour de la machine à glaçons pour la circulation d'air ? | <input type="checkbox"/> Le propriétaire/l'utilisateur a-t-il rempli la carte de garantie ? |
| <input type="checkbox"/> La machine a-t-elle été mise à la terre et la polarité est-elle correcte ? | <input type="checkbox"/> La machine à glaçons et le bac ont-ils été désinfectés ? |
| <input type="checkbox"/> La machine à glaçons a-t-elle été installée là où des températures ambiantes resteront dans la plage de 4 °C à 43 °C (40 °F à 110 °F) ? | <input type="checkbox"/> Le bouton d'alimentation est-il réglé à glaçons ? |
| <input type="checkbox"/> La machine à glaçons a-t-elle été installée là où la température d'arrivée d'eau demeurera dans la plage de 4 °C à 32 °C (40 °F à 90 °F) ? | |
| <input type="checkbox"/> Y a-t-il une évacuation séparée pour le condenseur refroidi par eau ? | |

Section 3

Fonctionnement

Caractéristiques du Panneau de commande

Le panneau de commande est doté de boutons sensibles à la pression pour commander la machine à glaçons et procure aussi l'état de fonctionnement.



Service - Rouge = Nécessite un service
Arrêt = Ne nécessite pas un service

Alimentation - Bleu = Machine en marche
Arrêt = Machine en arrêt

4 12 24

Délai - Bleu = Mode temporisation en marche
Arrêt = Mode temporisation en arrêt

Nettoyage - Jaune = Cycle de nettoyage en marche
Arrêt = Nettoyage en arrêt

Bac plein - Bleu = Le bac est plein
Arrêt = Le bac n'est pas plein

ALIMENTATION

Le bouton Alimentation est utilisé pour démarrer et arrêter la machine à glaçons. Le témoin bleu indique si la machine à glaçons est en mode de fabrication de glaçons (témoin allumé) ou en arrêt (témoin éteint).

TEMPORISATION

En appuyant sur le bouton Temporisation, la temporisation commencera. La machine à glaçons complétera le cycle de congélation et de récupération puis commencera la temporisation.

- En appuyant une (1) fois sur le bouton, une temporisation d'une durée de 4 heures commencera.
- En appuyant deux (2) fois sur le bouton, une temporisation d'une durée de 12 heures commencera.
- En appuyant trois (3) fois sur le bouton, une temporisation d'une durée de 24 heures commencera.
- En appuyant sur le bouton quatre (4) fois, la temporisation sera annulée.
- Puissance interruption aux glace usiner vouloir annulé les retardé époque.

NETTOYAGE

En appuyant sur le bouton Nettoyage pendant 3 secondes, le cycle de nettoyage commencera. Après le cycle de nettoyage, la machine à glaçons commencera automatiquement le cycle de fabrication de glaçons.

- En appuyant à nouveau sur le bouton Nettoyage dans les 30 secondes après le démarrage du cycle de nettoyage annulera le cycle.
- En appuyant le bouton Nettoyage après 45 secondes pendant le cycle de nettoyage éteindra la DEL de l'alimentation électrique et la machine à glaçons s'arrêtera lorsque le cycle de nettoyage sera complété.

En appuyant sur le bouton Alimentation, le cycle de nettoyage activera le mode Pause. Le témoin Alimentation clignotera pour indiquer le mode Pause. En appuyant à nouveau sur le bouton Alimentation, le cycle de nettoyage recommencera là où il a été interrompu.

BAC PLEIN

Le témoin Bac plein s'allume lorsque le bac est plein ou s'éteint si le bac n'est pas plein.

SERVICE

Le témoin Service indique que la machine nécessite un service.

- Vous reporter à la section 5 pour de plus amples informations si le témoin s'allume.

Séquence de fabrication des glaçons

REMARQUE : Le bouton Alimentation doit être enfoncé et l'amortisseur de glaçons doit être fermé avant que la machine à glaçons démarre.

Cycle de purge d'eau

La machine à glaçons évacue toute eau restante du bac à eau par le siphon.

Cycle de congélation

Pré-refroidissement - Le système de réfrigération refroidit l'évaporateur avant la circulation d'eau au-dessus de l'évaporateur. Le robinet d'arrivée d'eau est alimenté pendant le pré-refroidissement et demeure ainsi jusqu'à ce que l'interrupteur à flotteur de niveau d'eau soit au bon niveau d'eau.

Congélation - L'eau qui s'écoule sur l'évaporateur gèle et forme une glace sur celui-ci. Après qu'une couche de glace soit formée, l'interrupteur à flotteur d'épaisseur de glace envoie un signal au tableau de commande de commencer un cycle de récupération.

Cycle de récupération

Toute l'eau restante s'évacue dans le siphon tandis que le gaz réfrigérant chauffe l'évaporateur. Lorsque l'évaporateur chauffe, la couche de glaçons glisse de l'évaporateur vers le bac de stockage. Si tous les glaçons tombent au-delà de l'amortisseur de glaçons, la machine à glaçons démarre un autre cycle de congélation.

Cycle Bac Plein

Si l'amortisseur de glaçons est maintenu ouvert par la présence de glaçons, la machine à glaçons s'arrête. Lorsque l'amortisseur de glaçons se ferme, la machine à glaçons démarre un nouveau cycle à la purge d'eau.

Temporisateurs de tableau de commande

Le tableau de commande comporte les temporisateurs non réglables suivants :

- La machine à glaçons est verrouillée dans le cycle de congélation pendant 6 minutes avant de pouvoir lancer le cycle de récupération.
- Le temps de congélation maximal est de 60 minutes après quoi le tableau de commande lance automatiquement une séquence de récupération des glaçons.
- Le temps de récupération maximal est de 3,5 minutes. Le tableau de commande lance automatiquement une séquence de congélation lorsque ces temps sont dépassés.

LIMITES DE SÉCURITÉ

Les limites de sécurité sont mises en mémoire et indiquées par le tableau de commande au bout de trois cycles. Le nombre de cycles requis pour arrêter la machine à glaçons varie pour chaque limite de sécurité.

- Limite de sécurité 1 - Si le temps de congélation atteint 60 minutes, le tableau de commande lance automatiquement un cycle de récupération des glaçons. La machine à glaçons s'arrête après 6 cycles consécutifs de congélation de 60 minutes.
- Limite de sécurité 2 - Si le temps de récupération des glaçons atteint 3,5 minutes, le tableau de commande lance automatiquement le cycle de congélation de la machine à glaçons. La machine à glaçons s'arrête après 500 cycles consécutifs de récupération de 3,5 minutes.

Une limite de sécurité est indiquée par le clignotement du témoin Service sur le panneau de commande. Consulter la section 5 si vous recevez une indication de limite de sécurité.

Section 4

Entretien

Nettoyage intérieur et désinfection

GÉNÉRALITÉ

Nettoyer et désinfecter la machine à glaçons tous les six mois pour un fonctionnement efficace. Si la machine à glaçons requiert un nettoyage et une désinfection plus fréquents, consulter une entreprise de service qualifiée pour tester la qualité de l'eau et recommander un traitement approprié de l'eau.

La machine à glaçons doit être démontée pour le nettoyage et la désinfection.

Attention

N'utiliser que le nettoyant pour machine à glaçons (réf. 94-0546-3) et le désinfectant (réf. 94-0565-3) qui sont approuvés par Manitowoc. L'utilisation de ces solutions sans tenir compte des instructions figurant sur leurs étiquettes est une violation de la loi fédérale. Lire et comprendre toutes les étiquettes imprimées sur les récipients avant utilisation.

PROCÉDURE DE NETTOYAGE ET DE DÉSINFECTION

Utiliser le nettoyant pour machine à glaçons pour éliminer le tartre et les dépôts minéraux. Le désinfectant pour machine à glaçons désinfecte et élimine les algues et tout film biologique.

Étape 1 Appuyer sur le bouton Alimentation après la chute de glace de l'évaporateur à la fin du cycle de récupération. Ou, appuyer sur le bouton Alimentation et permettre la fonte de glace de l'évaporateur.

Attention

Ne jamais utiliser quoi que ce soit pour forcer la glace à sortir de l'évaporateur. Ceci pourrait causer des dommages.

Étape 2 Retirer tous les glaçons du bac.

Avertissement

Porter des gants en caoutchouc et des lunettes de sécurité (et/ou un masque) lors de la manipulation du nettoyant ou du désinfectant pour machine à glaçons.

Attention

Ne pas mélanger les solutions nettoyantes et désinfectantes pour machine à glaçons. L'utilisation de ces solutions sans tenir compte des instructions figurant sur leurs étiquettes est une violation de la loi fédérale.

Étape 3 Pour démarrer le cycle de nettoyage, appuyer sur le bouton Nettoyage. L'eau s'écoulera par le robinet de vidange d'eau puis dans le drain. Attendre que l'eau remplisse le bac à eau puis ajouter la bonne quantité de nettoyant pour machine à glaçons dans le bac à eau.

Modèle	Quantité de nettoyant
U0140	60 ml (2 onces)
U0190	150 ml (5 onces)
U0240	150 ml (5 onces)
U0310	150 ml (5 onces)

Attendre que le cycle de nettoyage soit terminé (environ 22 minutes), puis appuyer sur le bouton Alimentation et couper l'alimentation électrique ainsi que l'alimentation d'eau à la machine à glaçons.

Étape 4 Retirer les pièces à nettoyer.

Vous référer aux procédures de dépose des pièces qui correspondent à votre machine à glaçons. Passer à l'étape 6 une fois les pièces retirées.

Étape 5 Mélanger une solution nettoyante avec de l'eau chaude. Selon la quantité de dépôt minéral, une quantité plus importante de solution peut être requise. Utiliser le ratio dans le tableau ci-dessous pour mélanger suffisamment de solution pour nettoyer toutes les pièces.

Type de solution	Eau	Mélangée avec
Nettoyant	4 l (1 gallon)	500 ml (16 oz) de nettoyant

Utiliser la moitié du mélange nettoyant/eau pour nettoyer tous les composants. La solution nettoyante mousse lorsqu'elle est en contact avec du tartre ou des dépôts

minéraux; lorsque la formation de mousse s'arrête, utiliser une brosse en nylon à poils souples, une éponge ou un chiffon (PAS une brosse métallique) pour nettoyer soigneusement les pièces. Faire tremper les pièces pendant 5 minutes (15 à 20 minutes pour les pièces fortement entartrées). Rincer tous les composants avec de l'eau propre.

Étape 6 Pendant le trempage des composants, utiliser la moitié de la solution nettoyant/eau pour nettoyer toutes les surfaces de la zone alimentaire de la machine à glaçons et du bac. Utiliser une brosse en nylon ou un chiffon pour nettoyer les zones suivantes de la machine à glaçons :

- Pièces en plastique de l'évaporateur – y compris les parties supérieures, inférieures et latérales
- Le bas, les côtés et le dessus du bac

Rincer complètement toutes les zones avec de l'eau propre.

Étape 7 Mélanger une solution désinfectante avec de l'eau chaude.

Type de solution	Eau	Mélangée avec
Désinfectant	12 l (3 gallons)	60 ml (2 oz) de désinfectant

Utiliser la moitié de la solution désinfectant/eau pour désinfecter tous les composants retirés. Utiliser un flacon pulvérisateur pour appliquer abondamment la solution sur toutes les surfaces des pièces retirées ou faire tremper les pièces retirées dans la solution désinfectant/eau. Ne pas rincer les pièces après la désinfection.

Étape 8 Utiliser la moitié de la solution désinfectant/eau pour désinfecter toutes les surfaces de la zone alimentaire de la machine à glaçons et du bac. Utiliser un flacon pulvérisateur pour appliquer abondamment la solution. Lors de la désinfection, faire particulièrement attention aux zones suivantes :

- Pièces en plastique de l'évaporateur – y compris les parties supérieures, inférieures et latérales
- Le bas, les côtés et le dessus du bac

Ne pas rincer les zones désinfectées.

Étape 9 Remettre tous les composants retirés, attendre 10 minutes puis brancher l'alimentation électrique et ouvrir l'alimentation en eau à la machine à glaçons.

Étape 10 Appuyer sur le bouton Nettoyage. L'eau s'écoulera par le robinet de vidange d'eau puis dans le drain. Attendre que l'eau remplisse le bac à eau puis

ajouter la bonne quantité de désinfectant pour machine à glaçons dans le bac à eau.

Modèle	Quantité de désinfectant
U0140	30 ml (1 onces)
U0190	60 ml (2 onces)
U0240	60 ml (2 onces)
U0310	60 ml (2 onces)

Attendre que le cycle de désinfection soit terminé (environ 22 minutes), appuyer sur le bouton Glaçons pour commencer la fabrication de glaçons.

DÉPOSE DES PIÈCES POUR LE NETTOYAGE

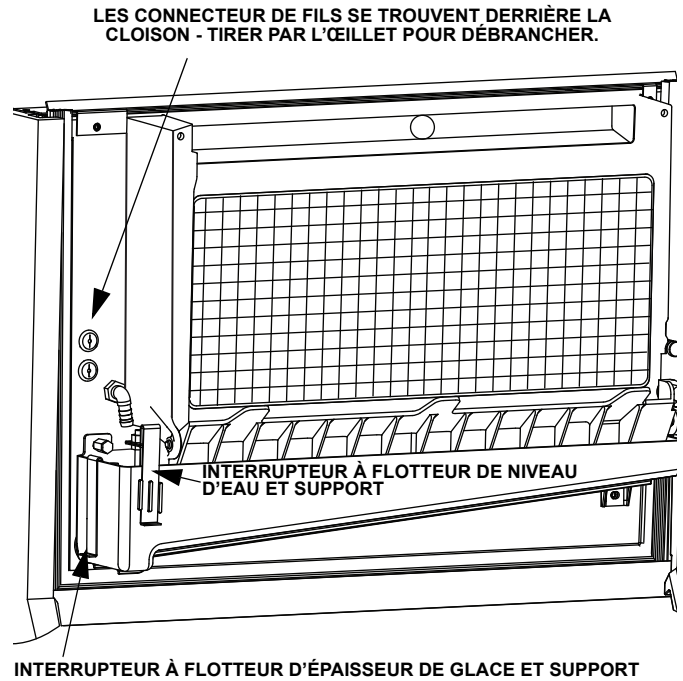
⚠ Avertissement

Débrancher l'alimentation électrique de la machine à glaçons au niveau de la boîte de distribution électrique avant de commencer.

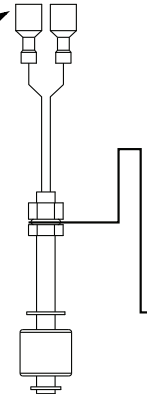
A. Retrait de la sonde de niveau d'eau et de l'interrupteur à flotteur.

- Tirer vers l'avant au bas du support jusqu'au dégagement de la languette puis glisser le support vers le haut pour retirer ensemble celui-ci et la sonde. Répéter cette procédure pour retirer l'interrupteur à flotteur.

REMARQUE : À ce moment, l'interrupteur à flotteur ainsi que la sonde peuvent être facilement nettoyés. Si une dépose complète est souhaitée, suivre les fils jusqu'à l'œillet de la cloison (point de sortie) dans la paroi arrière. Tirer le connecteur de fils par l'œillet de la cloison puis débrancher les fils du connecteur.



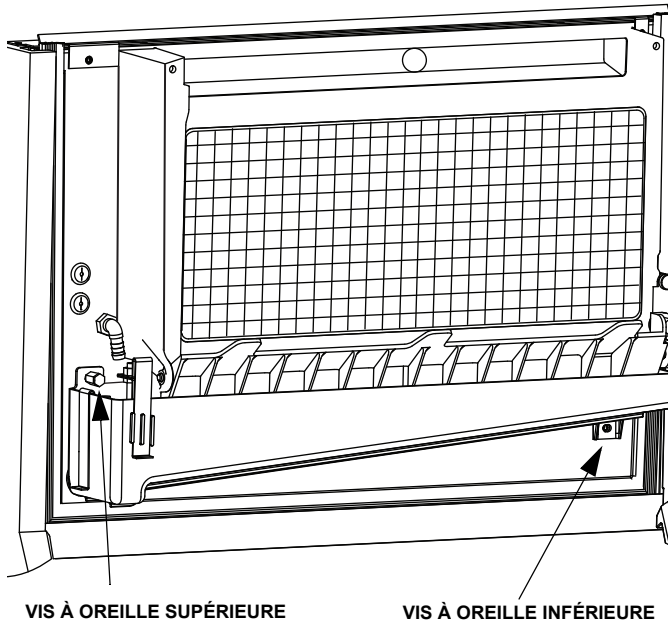
DÉBRANCHER LES FILS POUR LA DÉPOSE COMPLÈTE



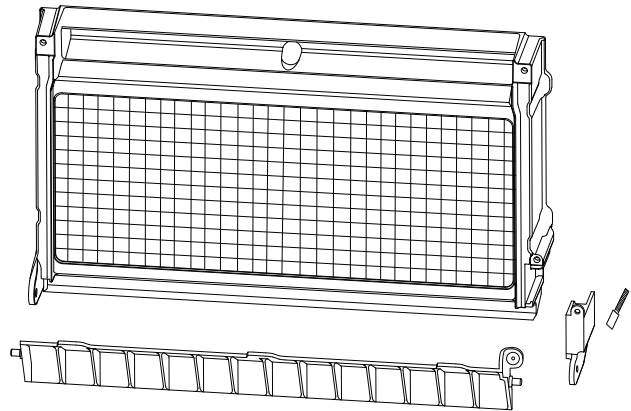
Dépose de l'interrupteur à flotteur du niveau d'eau ou de l'interrupteur d'épaisseur de glace

B. Dépose du bac à eau

- Retirer la vis à oreille supérieure.
- Tout en soutenant le bac à eau, retirer la vis à oreille se trouvant en-dessous du bac à eau.
- Retirer le bac à eau par la zone du bac.

**C. Dépose de l'amortisseur de glaçons**

- Retirer la vis à oreille du couvercle de l'interrupteur du bac.
- Soutenir l'amortisseur de glaçons puis tirer vers l'avant le couvercle de l'interrupteur du bac ainsi que l'amortisseur de glaçons pour réaliser la dépose.



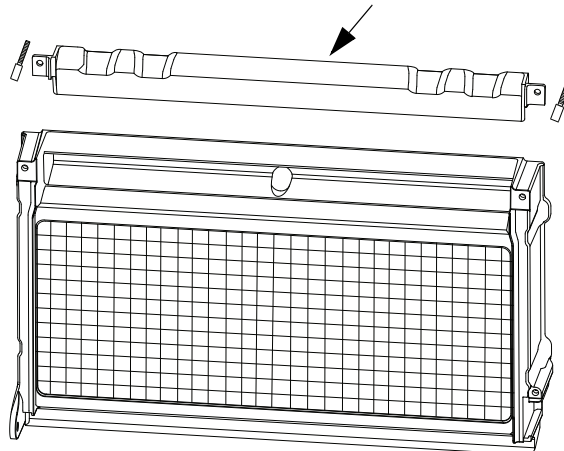
1. RETIRER LA VIS À OREILLE

2. SOUTENIR L'AMORTISSEUR DE GLAÇONS
PUIS GLISSER LE CÔTÉ DROIT VERS L'AVANT
POUR RÉALISER LA DÉPOSE

D. Dépose du tube de distribution d'eau

- Les vis à oreilles du tube de distribution sont maintenues en place pour éviter toute perte. Desserrer les vis à oreilles sans les sortir du tube de distribution.
- Desserrer les deux vis extérieures et tirer le tube de distribution vers l'avant pour libérer.

1. RETIRER LES VIS À OREILLE 2. TIRER LE TUBE DE
DISTRIBUTION VERS L'AVANT
POUR LA DÉPOSE



Dépose du tube de distribution d'eau

Nettoyage périodique d'entretien

Cette procédure de nettoyage peut être effectuée entre le nettoyage semestriel et les cycles de désinfection. Cette procédure ne nécessite pas le retrait des glaçons du bac.

Étape 1 Appuyer sur le bouton Alimentation après la chute de glace de l'évaporateur à la fin du cycle de récupération. Ou, appuyer sur le bouton Alimentation et permettre la fonte de glace de l'évaporateur.

Attention

Ne jamais utiliser quoi que ce soit pour forcer la glace à sortir de l'évaporateur. Ceci pourrait causer des dommages.

Avertissement

Porter des gants en caoutchouc et des lunettes de sécurité (et/ou un masque) lors de la manipulation du nettoyant ou du désinfectant pour machine à glaçons.

Étape 2 Pour démarrer le cycle de nettoyage, appuyer sur le bouton Nettoyage. L'eau s'écoulera par le robinet de vidange d'eau puis dans le drain. Attendre que l'eau remplisse le bac à eau puis ajouter la bonne quantité de nettoyant pour machine à glaçons dans le bac à eau.

Modèle	Quantité de nettoyant
U0140	60 ml (2 onces)
U0190	150 ml (5 onces)
U0240	150 ml (5 onces)
U0310	150 ml (5 onces)

Attendre que le cycle de nettoyage soit terminé (environ 22 minutes) puis appuyer sur le bouton Alimentation.

Inspection de la machine à glaçons

Vérifier toutes les conduites et tous les raccords d'eau pour la présence de fuites. Également, s'assurer que le tube de réfrigération ne frotte pas et ne vibre pas contre un autre tube, panneau ou autre.

Ne rien placer (boîtes, etc.) devant la machine à glaçons. Il doit exister une circulation de l'air à travers et autour de la machine à glaçons afin de maximiser la production de glaçons et assurer une longue durée de vie des composants.

Nettoyage extérieur

Nettoyer la zone entourant la machine à glaçons aussi souvent qu'il le faut pour maintenir sa propreté et un fonctionnement efficace.

Éponger la poussière et la saleté sur l'extérieur de la machine à glaçons avec de l'eau et un savon doux. Sécher à l'aide d'un chiffon propre et doux.

Un nettoyant pour l'acier inoxydable de qualité professionnel peut être utilisé au besoin.

Ramasser tout glaçon tombé ou déversement d'eau au fur et à mesure qu'ils se produisent.

Nettoyage du condenseur

GÉNÉRALITÉ

 **Avertissement**

Débrancher l'alimentation électrique de la partie principale de la machine à glaçons et l'unité de condensation à distance au niveau des interrupteurs de distribution électrique avant de nettoyer le condenseur.

Un condenseur sale restreint le débit d'air, entraînant ainsi des températures de fonctionnement excessivement élevées. Ce qui réduit la production de glaçons et raccourcit la durée de vie des composants.

- Nettoyer le condenseur au moins tous les six mois.

 **Avertissement**

Les ailettes du condenseur sont coupantes. Faire attention en les nettoyant.

- Éclairer à l'aide d'une lampe de poche le condenseur pour inspecter toute présence éventuelle de saleté entre les ailettes.
- Souffler à l'air comprimé ou rincer à l'eau de l'intérieur vers l'extérieur (sens opposé du débit d'air).
- S'il reste de la saleté, contacter un agent de service pour nettoyer le condenseur.

Mise hors service/Hivérisation

1. Nettoyer et désinfecter la machine à glaçons.
2. Appuyer sur le bouton Alimentation pour arrêter la machine à glaçons.
3. Couper l'alimentation en eau, débrancher et vider la conduite d'eau de fabrication de glaçons entrante à l'arrière de la machine à glaçons et vider le bac à eau.
4. Mettre la machine à glaçons sous tension, attendre une minute pour que le robinet d'arrivée d'eau s'ouvre et souffler de l'air comprimé dans les ouvertures de l'eau entrante et de l'évacuation à l'arrière de la machine à glaçons pour retirer toute l'eau.
5. Appuyer sur le bouton Alimentation et couper l'alimentation au niveau du disjoncteur ou de l'interrupteur de service électrique.
6. Remplir un flacon pulvérisateur de désinfectant et vaporiser toutes les surfaces de zone alimentaire intérieures. Ne pas rincer et laisser sécher à l'air.
7. Remettre tous les panneaux en place.

Section 5

Soutien à la clientèle

Liste de vérification

En cas de problème pendant le fonctionnement de la machine à glaçons, suivre la liste de vérification ci-dessous avant de contacter le service technique. Les ajustements périodiques et les procédures d'entretien ne sont pas couverts par la garantie.

Problème	Cause possible	Mesure corrective
La machine à glaçons ne fonctionne pas.	Aucune alimentation électrique à la machine à glaçons.	Remplacer le fusible/réinitialiser le disjoncteur/activer l'interrupteur principal/brancher le cordon d'alimentation dans une prise électrique.
	La machine à glaçon doit être mise en marche.	Appuyer sur le bouton Alimentation pour commencer la fabrication de glaçons.
	L'amortisseur est dans la position ouverte (abaissé).	L'amortisseur doit être en position debout et pouvoir basculer librement.
La machine à glaçons s'arrête et peut être redémarrée en mettant la machine en ARRÊT puis en MARCHE.	La fonction de limite de sécurité arrête la machine à glaçons.	Se reporter à « Fonction de limite de sécurité » à la page suivante.
La machine à glaçons ne libère pas les glaçons ou est lente à récupérer les glaçons.	La machine à glaçons est sale.	Nettoyer et désinfecter la machine à glaçons.
	La machine à glaçons n'est pas nivelée.	Niveler la machine à glaçons.
	Température ambiante basse autour de la machine à glaçons (modèles refroidis à l'air).	La température ambiante doit être d'au moins de 4 °C (40 °F).
	Le robinet automatique de débit d'eau fuit en mode de récupération (modèles refroidis à l'eau).	Remplacer le robinet automatique de débit d'eau.
La machine à glaçons ne cycle pas en mode de récupération.	Le verrouillage de temps de congélation de six minutes n'est pas encore arrivé à échéance.	Attendre que le verrouillage de congélation arrive à échéance.
	L'interrupteur de niveau d'eau est encrassé.	Nettoyer et désinfecter la machine à glaçons.
	Le fil de l'interrupteur de niveau d'eau est déconnecté.	Raccorder le fil.
	L'interrupteur de niveau d'eau est dérégulé.	Régler l'interrupteur de niveau d'eau.
	Remplissage de glace irrégulier (mince sur le dessus de l'évaporateur).	Vous reporter à « Glaçons creux ou incomplets » à la page suivante.
La qualité des glaçons est médiocre (mous ou opaques).	Qualité médiocre de l'eau entrante.	Contactez une entreprise de maintenance qualifiée pour tester la qualité de l'eau entrante et faire les recommandations de filtre appropriées.
	La filtration de l'eau est médiocre.	Changer le filtre.
	La machine à glaçons est sale.	Nettoyer et désinfecter la machine à glaçons.
	L'adoucisseur d'eau ne fonctionne pas correctement (le cas échéant).	Réparer l'adoucisseur d'eau.

Suite à la page suivante...

Problème	Cause possible	Mesure corrective
La machine à glaçons produit des glaçons creux et incomplets, ou le motif de remplissage de glaçons sur l'évaporateur est incomplet.	L'interrupteur de niveau d'eau est dérégulé.	Régler l'interrupteur de niveau d'eau.
	Le niveau du bac à eau est trop élevé ou trop bas.	Vérifier le niveau d'eau.
	La filtration de l'eau est médiocre.	Changer le filtre.
	Eau d'arrivée chaude.	Raccorder la machine à glaçons à une alimentation en eau froide.
	Pression d'eau entrante incorrecte.	La pression d'eau doit être entre 20 et 80 psi (137,9 et 551,5 kPa).
	La machine à glaçons n'est pas nivelée.	Niveler la machine à glaçons.
Faible capacité de glaçons.	Le condenseur est sale.	Nettoyer le condenseur.
	Température ambiante élevée autour de la machine à glaçons (modèles refroidis à l'air).	La température ambiante ne doit pas dépasser 43 °C (110 °F).
	Dégagement insuffisant autour de la machine à glaçons.	Fournir un dégagement suffisant.
	Objets empilés autour de la machine à glaçons obstruant la circulation d'air au condensateur (modèles refroidis à l'air).	Retirer le objets obstruant la circulation d'air.
	La filtration de l'eau est médiocre.	Changer le filtre.
	Eau d'arrivée chaude.	Raccorder la machine à glaçons à une alimentation en eau froide.
	Pression d'eau entrante incorrecte.	La pression d'eau doit être entre 20 et 80 psi (137,9 et 551,5 kPa).

Fonction de limite de sécurité

En plus des contrôles de sécurité standard, tels que la coupure haute pression, la machine à glaçons Manitowoc comporte des limites de sécurité intégrées qui arrêteront la machine à glaçons dans l'éventualité de conditions susceptibles de provoquer une défaillance de composants principaux.

Avant de contacter le service technique, redémarrer la machine à glaçons en respectant la procédure suivante :

1. Appuyer sur le bouton Alimentation et arrêter la machine à glaçons puis appuyer à nouveau sur le bouton Alimentation pour redémarrer la machine à glaçons.
 - A. Si la limite de sécurité a arrêté la machine à glaçons, celle-ci se remettra en marche après un court délai. Passer à l'étape 2.
 - B. Si la machine à glaçons ne se remet pas en marche, voir la section « La machine à glaçons ne fonctionne pas » à la page précédente.
2. Laisser fonctionner la machine à glaçons pour voir si la condition se répète.
 - A. Si la machine à glaçons s'arrête à nouveau, c'est que la condition s'est répétée. Contacter le service technique.
 - B. Si la machine à glaçons continue de fonctionner c'est que la condition s'est rectifiée d'elle-même. Laisser la machine à glaçons continuer à fonctionner.

Garantie commerciale de la machine à glaçons

Manitowoc Ice, Inc. (ci-après appelée la « SOCIÉTÉ ») garantit, pendant une période de trente-six mois à compter de la date d'installation (exception faite de la limitation ci-dessous), que les nouvelles machines à glaçons fabriquées par la SOCIÉTÉ sont exemptes de tout défaut de matériaux ou de fabrication à condition d'une utilisation et d'entretien normaux et appropriés tels que spécifiés par la SOCIÉTÉ, et avec une installation et une mise en service appropriées conformes au manuel d'instructions fourni avec la machine à glaçons. La garantie de la SOCIÉTÉ ci-après relative au compresseur s'applique pendant vingt-quatre mois supplémentaires, à l'exclusion des frais de main d'œuvre, et relative à l'évaporateur pendant vingt-quatre mois supplémentaires, y compris les frais de main d'œuvre.

L'obligation de la SOCIÉTÉ en vertu de la présente garantie est limitée à la réparation ou au remplacement des pièces, des composants ou des ensembles qui, selon la SOCIÉTÉ, sont défectueux. La présente garantie est également limitée au coût des pièces, composants ou ensembles, et aux frais de main-d'œuvre au salaire de base sur le lieu du service technique.

Les tarifs de taux de base et horaires, tels que publiés de temps à autre par la SOCIÉTÉ, s'appliquent à toutes les procédures de service. Les frais supplémentaires, y compris mais sans s'y limiter, le temps de déplacement, la majoration pour travail supplémentaire, le coût des matériaux, l'accès à la machine à glaçons ou son retrait, ou encore l'expédition, sont à la charge du propriétaire, tout comme le sont l'entretien, les réglages, le nettoyage et les achats de glaçons. Le travail couvert par la présente garantie doit être effectué par un représentant du service technique sous contrat de la SOCIÉTÉ ou par un organisme de service de réfrigération tel que qualifié et homologué par le distributeur local de la SOCIÉTÉ. La responsabilité de la SOCIÉTÉ en vertu de la présente garantie ne sera en aucun cas supérieure au prix d'achat réel payé par le client pour la machine à glaçons.

La garantie précédente ne s'appliquera pas à (1) toute pièce ou tout ensemble qui auront été altérés, modifiés ou changés ; (2) toute pièce ou tout ensemble qui auront été soumis à une mauvaise utilisation, un abus, une négligence ou des accidents ; (3) toute machine à glaçons qui aura été installée et/ou entretenue à l'encontre des instructions techniques fournies par la SOCIÉTÉ ; ou (4) toute machine à glaçons qui aura été initialement installée plus de cinq ans à compter de la date de production du numéro de série. La présente garantie ne s'applique pas si le système de réfrigération de la machine à glaçons est modifié par un condenseur, un récupérateur de chaleur ou d'autres pièces ou ensembles non fabriqués par la SOCIÉTÉ, sauf en cas de l'approbation écrite par la SOCIÉTÉ de ces modifications pour des emplacements spécifiques.

LA PRÉSENTE GARANTIE REMPLACE TOUTES LES AUTRES GARANTIES DE TOUTE SORTE, EXPRESSES OU TACITES, Y COMPRIS TOUTE GARANTIE IMPLICITE DE QUALITÉ MARCHANDE OU D'ADAPTATION À UN USAGE PARTICULIER. En aucun cas, la SOCIÉTÉ ne peut être tenue responsable des dommages spéciaux, indirects, accessoires ou consécutifs. Lors de l'échéance de la période de garantie, la responsabilité de la SOCIÉTÉ en vertu de la présente garantie viendra à échéance. La garantie précédente constitue la seule responsabilité de la SOCIÉTÉ et le recours exclusif du client ou de l'utilisateur.

Pour assurer un service de garantie prompt et permanent, la carte de garantie doit être remplie et envoyée à la SOCIÉTÉ dans les cinq (5) jours suivant la date d'installation.

Remplir ce qui suit et conserver cette information :

Distributeur/Revendeur _____

Référence de modèle _____ Numéro de série _____

Date d'installation _____

MANITOWOC ICE

2110 So. 26th St., P.O. Box 1720, Manitowoc, WI 54221-1720 USA

Téléphone : 920-682-0161 • Fax : 920-683-7585

Site Web - www.manitowocice.com

Formulaire 80-0375-3 Rév. 01-02

Garantie limitée de la machine à glaçons résidentielle

CE QUE COUVRE LA PRÉSENTE GARANTIE LIMITÉE

Sous réserve des exclusions et limitations ci-dessous, Manitowoc Foodservice (« Manitowoc ») garantit au client d'origine toute nouvelle machine à glaçons fabriquée par Manitowoc (le « Produit ») contre tout défaut de matériau ou vice de fabrication pendant la période de garantie décrite ci-dessous dans des conditions normales d'utilisation et d'entretien, et suite à une installation et une mise en service correctes conformément au manuel d'instructions fourni avec le Produit.

PÉRIODE DE CETTE GARANTIE LIMITÉE

<u>Produit couvert</u>	<u>Période de garantie</u>
Machine à glaçons	Douze (12) mois à compter de la date de vente

PERSONNES COUVERTES PAR CETTE GARANTIE LIMITÉE

La présente garantie limitée s'applique uniquement au client d'origine du Produit et n'est pas transférable.

OBLIGATIONS DE MANITOWOC ICE DANS LE CADRE DE CETTE GARANTIE LIMITÉE

En cas de défaut et de réception par Manitowoc d'une déclaration de dommage valide avant l'expiration de la période de garantie, Manitowoc doit, sur sa décision : (1) réparer le Produit à ses frais, y compris les frais de main d'œuvre standard en heures normales, (2) remplacer le Produit par un nouveau produit ou un produit équivalent à l'original ou (3) rembourser le prix d'achat du Produit. Les pièces de rechange sont garanties pendant 90 jours ou pour le reste de la période de garantie d'origine, si elle est plus longue. Les éléments précédents constituent l'unique obligation de Manitowoc et le recours exclusif du client en cas de rupture de la présente garantie limitée. La responsabilité de Manitowoc dans le cadre de la présente garantie limitée se limite au prix d'achat du Produit. Toutes dépenses supplémentaires, y compris mais sans s'y limiter, le temps de déplacement pour service, les frais de main d'œuvre d'heures supplémentaires ou de majoration, l'accessibilité au Produit ou son retrait, ou l'expédition sont à la charge du client.

OBTENTION DE SERVICE DE GARANTIE

Pour obtenir un service de garantie ou toute information concernant le Produit, veuillez nous contacter :

MANITOWOC FOODSERVICE

2110 So. 26th St.

P.O. Box 1720,

Manitowoc, WI 54221-1720

Téléphone : 920-682-0161 Fax : 920-683-7585

www.manitowocice.com

CE QUI N'EST PAS COUVERT

La présente garantie limitée ne couvre pas, et laisse à votre seule responsabilité, les frais de ce qui suit : (1) maintenance périodique ou de routine, (2) réparation ou remplacement du Produit ou des pièces suite à une usure normale, (3) défauts ou dommages du Produit ou des pièces du fait d'une mauvaise utilisation, d'une utilisation abusive, de négligences ou d'accidents, (4) défauts ou dommages du Produit ou des pièces du fait d'altérations, de modifications ou de changements incorrects ou non autorisés et (5) défauts ou dommages d'un Produit non installé et/ou maintenu conformément au manuel d'instructions ou aux spécifications techniques fournis par Manitowoc. Dans la mesure où ces exclusions de garantie dépendent des lois nationales, il est possible qu'elles ne vous concernent pas.

SAUF TEL QU'INDIQUÉ PAR LA PHRASE SUIVANTE, LA PRÉSENTE GARANTIE LIMITÉE REPRÉSENTE LA SEULE ET UNIQUE GARANTIE DE MANITOWOC CONCERNANT LE PRODUIT. TOUTES LES GARANTIES TACITES SONT STRICTEMENT LIMITÉES À LA DURÉE DE LA GARANTIE LIMITÉE S'APPLIQUANT AUX PRODUITS, COMME INDIQUÉ PRÉCÉDEMMENT, Y COMPRIS, SANS TOUTEFOIS S'Y LIMITER, TOUTE GARANTIE DE QUALITÉ MARCHANDE OU D'ADAPTATION À UN USAGE PARTICULIER.

Certains pays ne permettant pas de limitations sur la durée d'une garantie tacite, il est possible que la limitation ci-dessus ne vous concerne pas.

EN AUCUN CAS, MANITOWOC OU UNE DE SES FILIALES, NE PEUT ÊTRE TENUE POUR RESPONSABLE DU CLIENT OU DE TOUTE AUTRE PERSONNE EN CAS DE DOMMAGES ACCESSOIRES, CONSÉCUTIFS OU PARTICULIERS DE TOUTE NATURE (Y COMPRIS, MAIS SANS TOUTEFOIS S'Y LIMITER, UNE PERTE DE PROFITS, DE REVENUS OU COMMERCIALE) DÉCOULANT, OU LIÉS DE QUELQUE MANIÈRE QUE CE SOIT, AU PRODUIT, À UNE RUPTURE DE LA PRÉSENTE GARANTIE LIMITÉE, OU À TOUTE AUTRE CAUSE, QUELLE QU'ELLE SOIT, BASÉE SUR LE CONTRAT, SUR LA RESPONSABILITÉ CIVILE OU TOUTE AUTRE RESPONSABILITÉ.

Certaines juridictions ne permettant pas l'exclusion ou la limitation de dommages accessoires ou consécutifs, il est possible que cette limitation ou exclusion ci-dessus ne vous concerne pas.

APPLICATION DES LOIS NATIONALES

La présente garantie limitée vous offre des droits légaux spécifiques et il se peut que vous ayez d'autres droits qui varient d'une juridiction à une autre.

CARTE DE GARANTIE

Pour assurer un service de garantie prompt et permanent, cette carte de garantie doit être remplie et envoyée à Manitowoc dans les trente (30) jours suivant la date de vente. Remplir la carte de garantie suivante et l'envoyer à Manitowoc.

EC DECLARATION OF CONFORMITY

We hereby declare that our products, ice machines and Multiplex refrigeration equipment comply with all the essential requirements of the listed EC - directives.

Manufacturer:

Manitowoc Ice, Inc.
2110 S. 26th Street, P.O. Box 1720
Manitowoc, Wisconsin 54221-1720 USA

European Distributor:

Representative of Manitowoc Ice, Inc.:

Engineering Manager, (Printed name)

Representative of European Distributor:

Signature

Model and Serial No.

Applied EC Directives:

Applied Standards:

EN60335-1 Safety of household and similar electrical appliances
EN60335-2-24 Particular requirements refrigerators, food freezers and ice makers

EN55014 Electrical Motor Operated Appliances (Emissions)
EN55014 Electro Magnetic Compatibility (Immunity)
EN378 -1 to -4 Refrigeration Plants

Low Voltage 73/23/EEC
EMC 89/336/EEC
Pressure Equipment 97/23/EC



8201043
08/25/03



© 2012 Manitowoc

Continuing product improvements may necessitate change of specifications without notice.

Part Number 040002909 5/13



Manitowoc Foodservice
2110 South 26th Street, P.O. Box 1720
Manitowoc, WI 54221-1720, USA
Ph: 001-920-682-0161 Fax: 001-920-683-7589
Visit us online at: www.manitowocice.com