

# norpole

## 210 lb. Undercounter Ice Maker ♦ NPCIM210



### Standard Features

- ♦ Included in-line water filter
- ♦ Air-cooled condenser with removable filter
- ♦ Automatic ice making and error-detecting control system
- ♦ Auto shut-off with full bin indication
- ♦ Adjustable ice thickness
- ♦ Easy clean function
- ♦ Included leveling legs

Plug Type:  
(NEMA) 5-15P



### Technical Specifications

Product Classification	Undercounter Ice Maker
Climate Class	N
Number of Doors	1
External Cabinet Material	201 Stainless Steel
Type of Refrigeration Agent	R-290
Interior Light	Yes

### Capacity

Ice Making Capacity	210 lbs. / day
Bin Capacity	80 lbs.

### Dimensions

External Width	26.0 in
External Depth	27.0 in
External Height	38.2 in
Shipping Dimensions (W x D x H)	29.3 x 30.7 x 35.4 in

### Weight

Gross Weight	143.3 lbs.
--------------	------------

### Accessories

Drain Type	Gravity
Ice Scooper	Included
Ice Shape	Half Cube

### Certified Safety Standard

- ♦ ETL Listed
- ♦ ETL Sanitation Listed



### Warranty Information

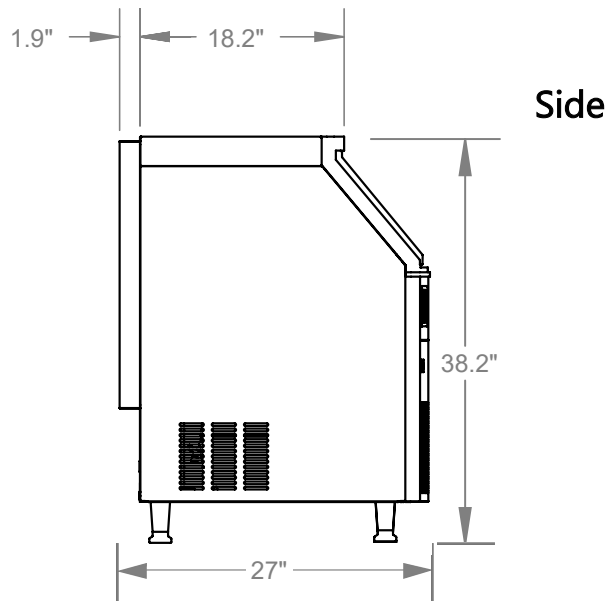
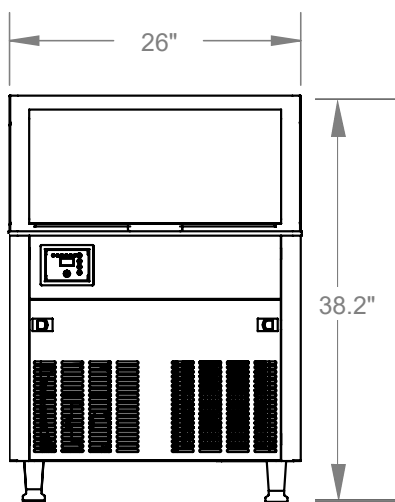
- ♦ 5 Years Compressor
- ♦ 1 Year Parts & Labor



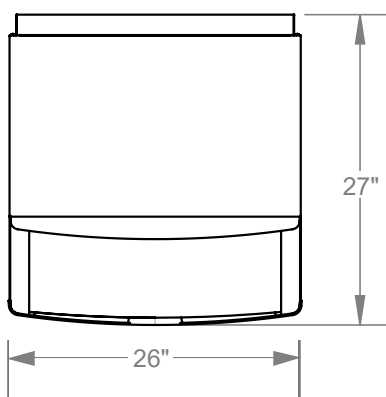


## 210 lb. Undercounter Ice Maker ♦ NPCIM210

Front



Top



Plug Type:  
(NEMA) 5-15P

