

norpole

72" Chef Base Refrigerator ♦ NPCB-72



Standard Features

- ♦ Stainless steel series 430 exterior
- ♦ Stainless steel series 304 interior
- ♦ Side mounted compressor
- ♦ Optional 3-inch legs
- ♦ LED digital temperature display
- ♦ Self contained system, simple plug installation
- ♦ Heavy-duty caster wheels

Technical Specifications

Product Classification	Refrigerator
Climate Class	N
Number of Drawers	4
External Cabinet Material	430 Stainless Steel
Internal Cabinet Material	304 Stainless Steel
Type of Refrigeration Agent	R-290
Type of Temperature Control	Digital
Temperature Range °C	0°C to 5°C
Temperature Range °F	32°F to 41°F
Voltage / Frequency	115V / 60Hz
Amp	6.5
Compressor HP	1/5
Type of Insulation	2.5-Inch Polyurethane Foam
Door Handle	Partial Length
Pan Capacity	(8) 1/1

Certified Safety Standard

- ♦ ETL Listed
- ♦ ETL Sanitation Listed



Warranty Information

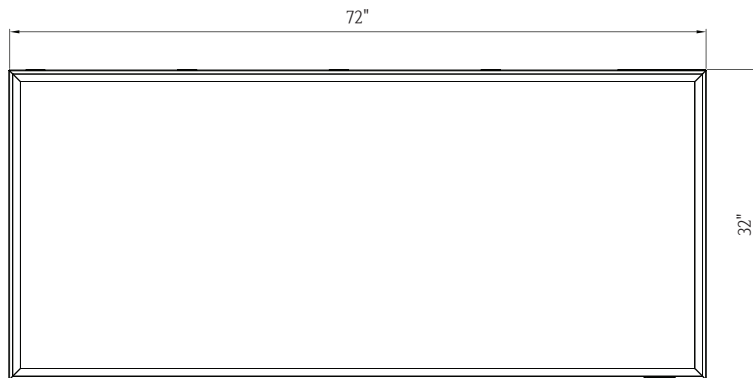
- ♦ 5 Years Compressor
- ♦ 3 Year Parts & Labor



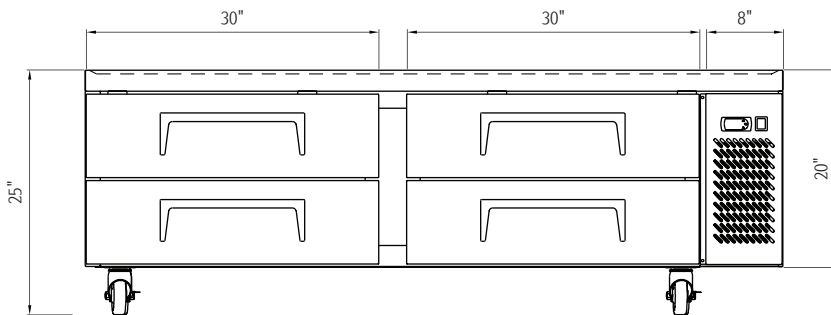


72" Chef Base Refrigerator ♦ NPCB-72

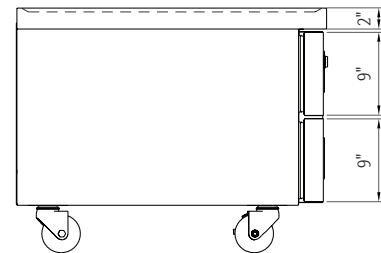
Plug Type: (NEMA) 5-15P



Top View



Front View



Side Section

Dimensions

External Width	72 in
External Depth	32 in
External Height	26 in
Shipping Dimensions (W x D x H)	75 x 35 x 28 in

Weight

Gross Weight	368 lbs.
--------------	----------

Capacity

Gross Capacity	16 cu. ft.
Drawers	4
Drawer Dimensions (W x D x H)	24.52 x 20 x 4 in

Accessories

Frost Free	Yes
Fixed Shelves	No
Adjustable Feet	Optional
Adjustable Thermostat	Yes