

norpole

3 Door Pizza Prep Table ♦ NP3R-PT



Standard Features

- ♦ Stainless steel series 430 exterior
- ♦ Stainless steel series 304 interior
- ♦ Stucco aluminum back panel
- ♦ Self closing hinged doors with 90 degree stay open feature
- ♦ Bottom mounted compressor
- ♦ Optional 3-inch legs
- ♦ LED digital temperature display
- ♦ PVC coated adjustable wire shelves
- ♦ Compartment barrier prevents food spillage down to storage area
- ♦ Lift off compartment door hinges for easy cleaning
- ♦ 3/4" thick cutting board included
- ♦ Self contained system, simple installation
- ♦ Heavy-duty caster wheels

Technical Specifications

Product Classification	Refrigerator
Climate Class	N
Number of Doors / Lids	3 Doors / 2 Lids
External Cabinet Material	430 Stainless Steel
Internal Cabinet Material	304 Stainless Steel
Type of Refrigeration Agent	R-290
Type of Temperature Control	Digital
Temperature Range °C	0°C to 5°C
Temperature Range °F	32°F to 41°F
Voltage / Frequency	115V / 60Hz
Amp	10.5
Compressor HP	1/4+
Type of Insulation	2.5-Inch Polyurethane Foam
Door Handle	Full Length

Certified Safety Standard

- ♦ ETL Listed
- ♦ ETL Sanitation Listed



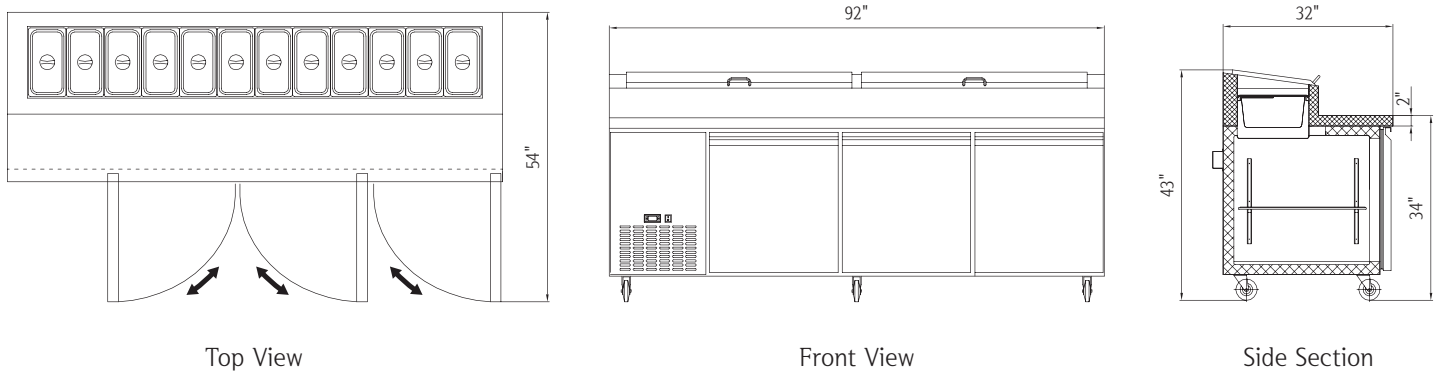
Warranty Information

- ♦ 5 Years Compressor
- ♦ 3 Year Parts & Labor



norpole

3 Door Pizza Prep Table ♦ NP3R-PT



Plug Type: (NEMA) 5-15P

Capacity

Gross Capacity 24 cu. ft.

Dimensions

Internal Cabinet Width 70 in
 Internal Cabinet Depth 23 in
 Internal Cabinet Height 26 in
 External Width 92 in
 External Depth 32 in
 External Height 43 in
 Shipping Dimensions (W x D x H) 97 x 37 x 46 in

Weight

Gross Weight 594 lbs.

Accessories

Frost Free Yes
 Adjustable Shelves 3
 Fixed Shelves No
 Internal Light No
 Internal Light Switch No
 External Light Switch No
 Self Closing Door / Lid Yes
 Door Holder for Loading Yes
 Door / Lid Lock No
 Reversible (Left) Door No
 Adjustable Feet Optional
 Adjustable Thermostat Yes
 Pans (12) 1/3"