

# norpole

## 2 Door 36" Mega Top Sandwich/Salad Prep Table ♦ NP2R-SWMT36



### Standard Features

- ♦ Stainless steel series 430 exterior
- ♦ Stainless steel series 304 interior
- ♦ Stucco aluminum back panel
- ♦ Self closing hinged doors with 90 degree stay open feature
- ♦ Bottom mounted compressor
- ♦ Optional 3-inch legs
- ♦ LED digital temperature display
- ♦ PVC coated adjustable wire shelves
- ♦ Compartment barrier prevents food spillage down to storage area
- ♦ Lift off compartment door hinges for easy cleaning
- ♦ 3/4" thick cutting board included
- ♦ Heavy-duty caster wheels

### Technical Specifications

|                             |                            |
|-----------------------------|----------------------------|
| Product Classification      | Refrigerator               |
| Climate Class               | N                          |
| Number of Doors / Lids      | 2 Doors / 1 Lid            |
| External Cabinet Material   | 430 Stainless Steel        |
| Internal Cabinet Material   | 304 Stainless Steel        |
| Type of Refrigeration Agent | R-290                      |
| Type of Temperature Control | Digital                    |
| Temperature Range °C        | 0°C to 5°C                 |
| Temperature Range °F        | 32°F to 41°F               |
| Voltage / Frequency         | 115V / 60Hz                |
| Amp                         | 5.5                        |
| Compressor HP               | 1/5                        |
| Type of Insulation          | 2.5-Inch Polyurethane Foam |
| Door Handle                 | Full Length                |

### Certified Safety Standard

- ♦ ETL Listed
- ♦ ETL Sanitation Listed



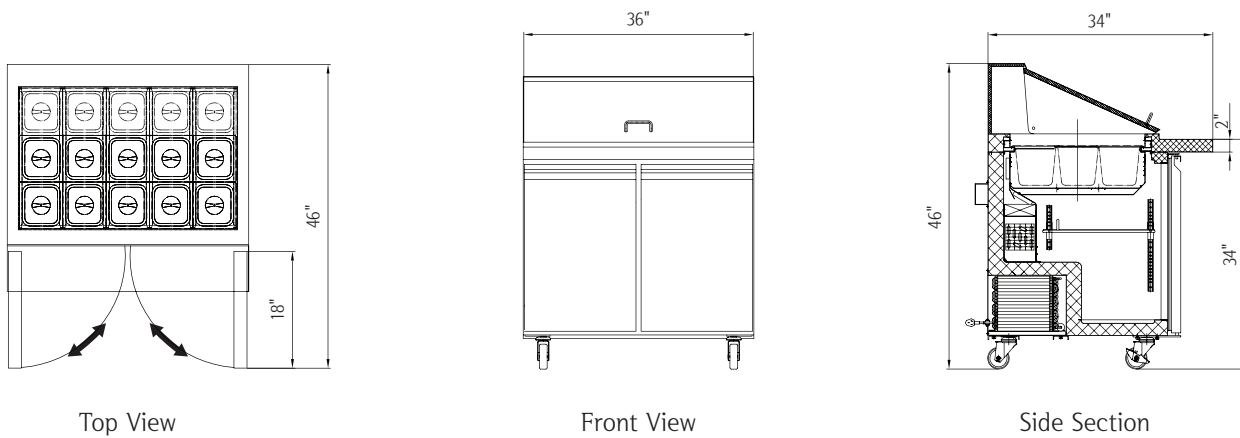
### Warranty Information

- ♦ 5 Years Compressor
- ♦ 3 Year Parts & Labor



# norpole

## 2 Door 36" Mega Top Sandwich/Salad Prep Table ♦ NP2R-SWMT36



Plug Type: (NEMA) 5-15P

### Capacity

Gross Capacity 7.6 cu. ft.

### Dimensions

|                                 |                 |
|---------------------------------|-----------------|
| Internal Cabinet Width          | 32 in           |
| Internal Cabinet Depth          | 23 in           |
| Internal Cabinet Height         | 24 in           |
| External Width                  | 37 in           |
| External Depth                  | 34 in           |
| External Height                 | 46 in           |
| Shipping Dimensions (W x D x H) | 45 x 39 x 50 in |

### Weight

Gross Weight 326 lbs.

### Accessories

|                         |           |
|-------------------------|-----------|
| Frost Free              | Yes       |
| Adjustable Shelves      | 2         |
| Fixed Shelves           | No        |
| Internal Light          | No        |
| Internal Light Switch   | No        |
| External Light Switch   | No        |
| Self Closing Door / Lid | Yes       |
| Door Holder for Loading | Yes       |
| Door / Lid Lock         | No        |
| Reversible (Left) Door  | No        |
| Adjustable Feet         | Optional  |
| Adjustable Thermostat   | Yes       |
| Pans                    | (10) 1/6" |