

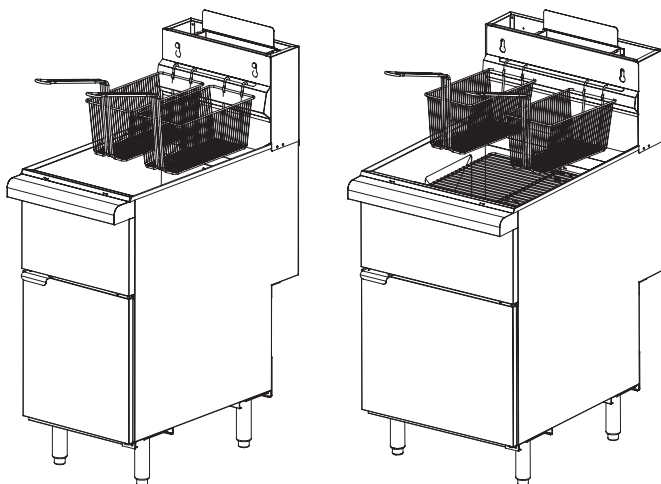


Magic Chef®

C O M M E R C I A L

Commercial Gas Fryer

User's Manual



Model MCCGF40 / MCCGF40-P / MCCGF50 / MCCGF50-P / MCCGF70 / MCCGF70-P

PLEASE READ THIS MANUAL CAREFULLY BEFORE USING YOUR COMMERCIAL GAS FRYER AND KEEP IT FOR FUTURE REFERENCE.



PRODUCT REGISTRATION

Thank you for purchasing a Magic Chef Commercial product. The first step to protect your new product is to complete the product registration on our website: www.mcappliance.com/register. The benefits of registering your product include the following:

1. Registering your product will allow us to contact you regarding a safety notification or product update.
2. Registering your product will allow for more efficient warranty service processing when warranty service is required.
3. Registering your product could act as your proof of purchase in the event of insurance loss.

Once again, thank you for purchasing a Magic Chef Commercial product.

CONTENTS

| | |
|-------------------------------------|----|
| PRODUCT REGISTRATION | 2 |
| PRECAUTIONS | 4 |
| IMPORTANT SAFETY INSTRUCTIONS | 5 |
| SPECIFICATIONS..... | 7 |
| INSTALLATION INSTRUCTIONS | 8 |
| OPERATING INSTRUCTIONS..... | 11 |
| CARE AND MAINTENANCE..... | 14 |
| TROUBLESHOOTING | 15 |
| LIMITED WARRANTY | 16 |

PRECAUTIONS

EXPLANATION OF SYMBOLS

▲ WARNING

Hazards or unsafe practices which COULD result in severe personal injury or death.

▲ CAUTION

Hazards or unsafe practices which COULD result in minor personal injury or property damage.

▲ WARNING: Read and understand all safety precautions. Failure to follow all instructions described in this user manual may result in electric shock, fire and/or serious personal injury. The warnings, cautions and instructions discussed in this user manual cannot cover all possible conditions and situations that may occur.

▲ WARNING: If information in this manual is not followed exactly, a fire or explosion may result causing property damage, personal injury or death. DO NOT store or use gasoline or other flammable vapors and liquids in the vicinity of this or any other appliance.

▲ WARNING: Gas Leak

- Gas leaks cannot always be detected by smell.
- Gas suppliers recommend that you use a gas detector approved by UL or CSA.
- For more information, contact your gas supplier.
- If a gas leak is detected, follow the “What to Do If You Smell Gas” section below.

▲ WARNING: What to Do If You Smell Gas

- DO NOT try to turn on any appliance.
- DO NOT touch any electrical switch.
- DO NOT use any phones in home.
- Immediately call your gas supplier from a phone outside of the building. (Ex: Go to a neighbor’s to call your gas supplier or fire department.)
- If the gas supplier cannot be reached, call the fire department.
- Installation and service must be performed by a qualified installer or service agency.

IMPORTANT SAFETY INSTRUCTIONS

▲ WARNING: When using gas appliances, basic safety precautions should be followed, including the following.

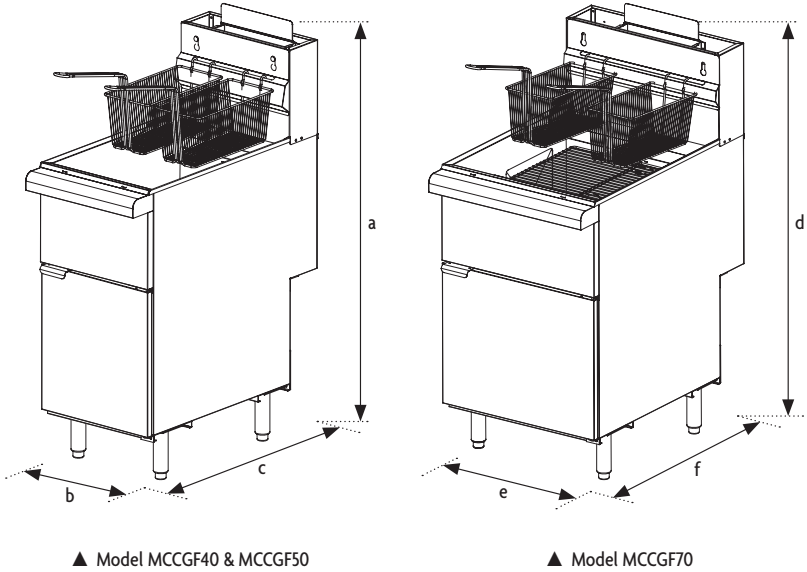
1. Read all instructions before using the appliance.
2. The appliance must be installed in accordance with required codes:
 - In the United States:
State and local codes, or in the absence of local codes:
National Fuel Gas Code, ANSI-Z223.1/NFPA #54 (latest edition).
Copies may be obtained from The American Gas Association Accredited Standards Committee Z223, @ 400 N. Capital St. NW, Washington, DC 20001 or the Secretary Standards Council, NFPA, 1 Batterymarch Park, Quincy, MA 02169-7471.
NFPA Standard #96 Vapor Removal from Cooking Equipment, latest edition, available from the National Fire Protection Association, Batterymarch Park, Quincy, MA.
 - In Canada:
Local codes:
CAN/CSA-B149.1 Natural Gas Installation (latest edition).
CAN/CSA-B149.2 Propane Installation Code (latest edition), available from the Canadian Gas Association 178 Rexdale Blvd., Etobicoke, Ontario Canada M9W 1R3.
3. **▲ WARNING:** If you smell gas, please keep away from fire. DO NOT light up any device or touch an electric switch. DO NOT use any phone in the building. Close the main gas valve immediately and call a professional service technician to check the unit.
4. **▲ CAUTION:** High temperatures may cause scalding. DO NOT touch the appliance surface with hands directly due to high temperature during or after operation.
5. Installation and maintenance should only be performed by certified professionals. Improper installation could result in serious harm or death and may void your warranty.
6. Any self-modification, improper installation, adjustment or maintenance can lead to property loss and/or casualty. Please contact the manufacturer or a service technician for any adjustments or maintenance, and have the work done by a trained & qualified person.
7. DO NOT dismantle or modify the device. Any modification may result in casualty and void the warranty.
8. Remove packing materials and check fryer for damage. If you have any questions or if there are any problems, call for service and DO NOT use the item. Keep packing material away from children.
9. The appliance should only be used with low-pressure gas regulating valves. Use of other regulating valves may lead to loss and casualty.
10. DO NOT place the appliance near any liquid, gas or object that is flammable or explosive.
11. If the appliance is placed near walls, partitions, kitchen furniture, etc., be sure that they are made of non-combustible heat resistant materials, and follow all fire regulations.
12. The appliance should be installed in a well-ventilated area with exhausting facilities to ensure that any gases produced are properly vented.
13. This appliance should not be operated by anyone that is not able to follow proper safety procedures or does not have experience with this type of equipment, unless under close supervision.
14. Keep children away from the device.
15. Operating by the appliance incorrectly or improper maintenance may lead to gas leakage or deflagration. The manufacturer is not responsible for fire or accidents resulting from by improper operation or maintenance.

16. DO NOT put any flammable objects or materials on or near the burners.
17. When first using, it may take a little longer to light due to the air existing in the new pipe. If the pilot cannot be lit, turn off the gas supply for 3 – 5 minutes to prevent deflagration.
18. ALWAYS turn off when not using.
19. This device is for commercial use only, not for use in any other application.
20. This product is a commercial machine that needs to be operated by trained cooks and is not intended for home use.
21. DO NOT put any heavy objects onto the appliance. Abnormal operation may cause damage.
22. DO NOT put any object in the exhaust vent. Doing so may block the gas flue and cause harm.
23. DO NOT damage the control panel with hard or sharp objects.
24. DO NOT spray water at the appliance. Clean the stainless steel surface regularly to prevent damage caused by rust and chemical reactions.
25. Keep this manual. When passing on/selling the device to a third party, the manual must be handed over along with the device. All users must operate the device complying with the user's manual and related safety guidelines.
26. The manufacturer is not responsible for fire or accidents resulting from by improper operation or maintenance.

**READ AND FOLLOW THIS
SAFETY INFORMATION CAREFULLY
SAVE THESE INSTRUCTIONS**

SPECIFICATIONS

Figure 1



a. 47.1" (1196 mm)

b. 15.5" (394 mm)

c. 30.28" (769 mm)

d. 47.1" (1196 mm)

e. 21.0" (533 mm)

f. 30.28" (769 mm)

| Model | Size of Orifice | | Dimensions (H x W x D) | Net Weight | BTU/Hr. | Number of Heat Tubes |
|-----------|-----------------|-------------|---------------------------|------------|---------|-------------------------|
| MCCGF40 | NP | #39 (2.5mm) | 47.1" x 15.5" x 30.3" | 136.7 lbs. | 90000 | 3 |
| MCCGF40-P | Propane | #52 (1.6mm) | 1196 x 394 x 770 (mm) | (62.0 kg) | | |
| MCCGF50 | NP | #39 (2.5mm) | 47.1" x 15.5" x 30.3" | 147.7 lbs. | 120000 | 4 |
| MCCGF50-P | Propane | #52 (1.6mm) | 1196 x 394 x 770 (mm) | (67.0 kg) | | |
| MCCGF70 | NP | #39 (2.5mm) | 47.1" x 21.0" x 30.3" | 176.4 lbs. | 150000 | 5 |
| MCCGF70-P | Propane | #52 (1.6mm) | 1196 x 533 x 770 (mm) | (80.0 kg) | | |

INSTALLATION INSTRUCTIONS

TRANSPORTATION AND STORAGE

During transportation, the cooking equipment should be carefully handled. DO NOT place it upside down. The equipment should be stored in a well ventilated warehouse without corrosive gas. If it needs to be stored outside temporarily, make sure it does not come in contact with rain.

UNPACKING

This fryer was carefully inspected before leaving the factory. Upon acceptance of the shipment, the transportation company assumes full responsibility for safe delivery. Immediately after unpacking the fryer, check for possible shipping damage. If the fryer is damaged, save the packaging material and contact the carrier within 15 days of delivery.

Check that the following have been included:

- Crumb Rack
- Basket Hanger
- Adjustable Legs (4)
- Drain Pipe Extension
- Twin Fry Baskets (2)
- Manual and Warranty

DO NOT use the door or its handle to lift.

INSTALLATION NOTE

Before installing, verify that the type of gas (natural or propane) matches the specifications on the data plate, which is located on the back or side of the appliance. Make sure the device is configured for the proper elevation.

Record your model and serial numbers for future reference in the space provided below. This information can be found on the data plate.

Model No: _____ Serial No: _____

1. Installation should be performed by certified technicians.
2. Before installation, remove the outer plastic film if present and wipe off any residue on stainless steel with a cloth and warm water. Be sure to rinse with clean water and a towel.
3. Connection of the device should conform to provisions of gas safety, installation and usage.
4. Installation from the outlet end of the gas flow meter or service regulator to the gas pipe of the device should be performed by trained professional technicians. They should also test the cooking equipment first and make any adjustments.
5. Check the gas type and pressure to make sure that they conform to those marked on the rating label. If incorrect gas type or pressure is connected, DO NOT use as performance may be affected and there could be a safety hazard. gas pressure should be set at 0.144 PSI – 0.147 PSI (4" W.C./1.016 kPa) for natural gas and 0.36 PSI - 0.37 PSI (10" W.C./2.54kPa) for propane gas. If gas supply pressure exceeds 0.5 PSI (3.5 kPa), an additional pressure regulator must be installed.
6. According to local requirement standards and strong recommendation of the manufacturer, a gas shut-off

valve may be needed between the gas supply pipeline and gas-pressure regulator. Whether the installation of a gas shut-off valve has any local requirements should be judged by the gas installation professional.

7. Coat some dedicated pipe sealant for gas pipeline in all the pipe joints. The sealant should be rated for use with and resistant to the action of gas.
8. After connecting the appliance to the gas system, check for leaks at joints and pipe fittings; to do so, use soapy water or a specific leak detector (spray). DO NOT use open flame.
9. When first started, it may take a little longer to light due to the air existing in the new pipeline. If it doesn't light up, turn the ignition switch off for 3min to allow any gas to exhaust before trying again to prevent from deflagration.
10. This appliance should be installed on a stable, level and non-combustible surface (e.g. cement, ceramic tile, terrazzo or metal surface). Check all local regulations. Make sure to leave clearance for proper ventilation.
11. The device should only be used when the legs are installed correctly and the item is stable and level.
12. This device should only be used in a non-combustible area.
13. The appliance should have a minimum clearance of 6" (15 cm) on both sides and in back, and a minimum of 16" (41cm) between the fryer and any source of open flame.
14. The installation should allow for proper air flow for combustion and should not block exhaust and ventilation. ALWAYS follow all regulations regarding venting and exhaust.
15. Make sure the exhaust does not interfere with the air intake of the device.
16. After installation, level the device and keep stable. DO NOT move or tilt the device during operation.

▲ NOTE: DO NOT block or interfere with the ventilation needed during normal operation.

▲ NOTE: The fryer must be restrained or installed in a manner that prevents tipping and splashing of hot liquid. The means of restraint may be the manner of installation, such as connection to a battery of appliances, installing the fryer in an alcove, or by separate means such as adequate ties.

LOCATION

- Install fryer in an area with sufficient air supply for gas combustion at fryer burners.
- DO NOT obstruct the flow of combustion and ventilation air.
- Provide adequate clearance for air openings into the combustion chamber.
- DO NOT permit fans to blow directly onto fryer.
- Avoid wall-type fans, which create cross-currents within a room.
- Avoid open windows next to sides or back.

FLUE CONNECTION

- Locate the fryer under a hood with adequate connection to an exhaust duct. The hood must extend 6" (15 cm) beyond fryer on both sides.
- Clearance above the fryer should be adequate to remove gas and grease vapors efficiently.
- An 18" (46 cm) minimum clearance should be maintained between the flue vent and the filters of the hood venting system.
- Never make flue connections directly to the fryer.
- DO NOT obstruct the flow of the gases from the appliance.
- Proper air balance should be maintained in the room.

TESTING THE GAS SUPPLY PIPING SYSTEM

- When test pressures exceed 0.5 PSI (3.5 kPa), the fryer and its individual shutoff valve must be disconnected from the gas supply piping system.
- When test pressures are 0.5 PSI (3.5 kPa) or less, the fryer must be isolated from the gas supply piping system by closing its individual shutoff valve.

LEVELING THE FRYER

- Check the level of the fryer front-to-back and side-to-side after gas connections have been made by placing a bubble level on top of the fryer. Adjust the leveling legs as needed to level the fryer.
- After moving into the final position, check again that the unit is level using a bubble level.

OPERATING INSTRUCTIONS

▲ WARNING: Hot oil and parts can cause burns. Use care when operating, cleaning and servicing the fryer.

▲ WARNING: Spilling hot oil can cause severe burns. DO NOT move fryer without draining all frying compound from the tank.

CLEANING BEFORE USE

New units are wiped down at the factory to remove any visible signs of dirt, oil, grease, etc. remaining from the manufacturing process.

Before any food preparation, thoroughly wipe protective oil from all surface parts and the tank interior with hot soapy water to remove any film residue and dust or debris.

▲ NOTE: DO NOT use chlorine or sulfate/sulfide cleaners.

▲ NOTE: Wash any accessories shipped with unit.

▲ NOTE: Rinse fryer and accessories thoroughly and drain the fryer.

▲ NOTE: Wipe tank completely dry with a soft, clean cloth.

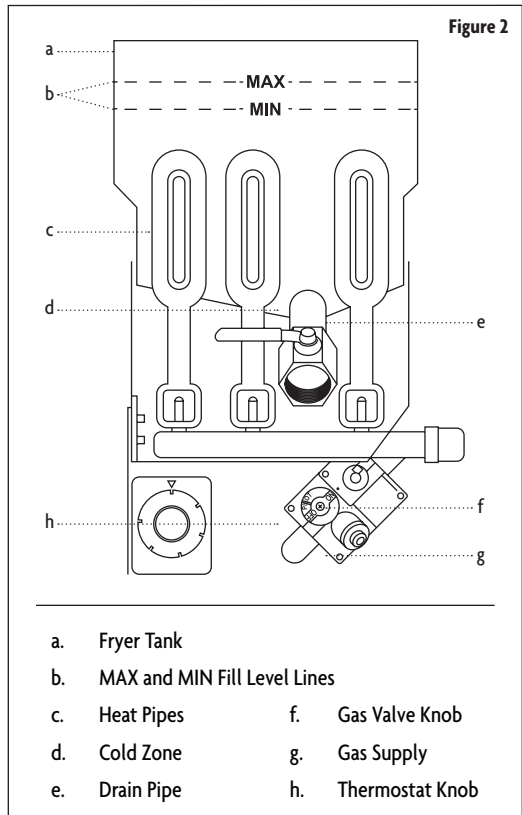
FILLING TANK WITH OIL

▲ NOTE: Solid Shortening should NOT be used with the fryer. Melting solid shortening will damage the tank and void your warranty.

1. Close the drain valve.
2. Fill the fryer tank with liquid shortening until the tank is filled between the MIN and MAX lines. Oil will expand when heated. DO NOT fill passed the MAX fill line.
3. Add fresh oil as needed to maintain the level at the MIN line.

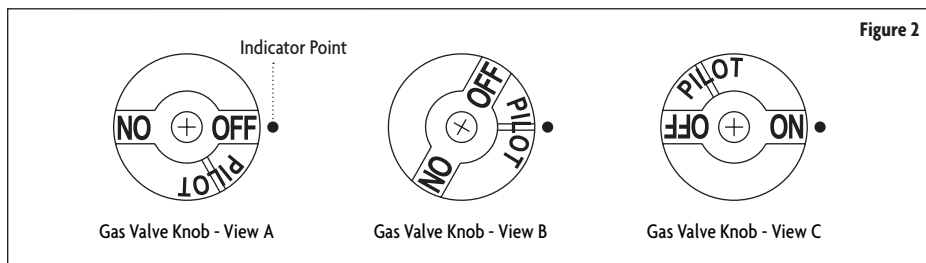
HIGH TEMPERATURE SHUTDOWN

- If the oil becomes overheated, a high-temperature shutoff device will turn the gas valve off and extinguish the pilot.
- If the fryer shuts down due to overheating, DO NOT attempt to relight the pilot until the oil temperature is below 300° F (149° C).
- If an overheating situation persists, contact the manufacturer or an authorized service technician.



LIGHTING THE PILOT

1. Open the door.
2. Turn the thermostat located behind the door to the OFF position.
3. Push the gas control valve knob and turn to OFF. (See figure below, view A) Wait 5 minutes for unburned gas to vent.
4. Push and turn gas control valve knob to the “L” in PILOT (see figure below, view B).
5. While still holding the knob in, light the pilot. Continue to depress the knob for 30 seconds to one minute until pilot remains lit when knob is released. If the pilot does not remain lit, repeat step 3 through 5.
6. Depress and turn gas control knob to ON (See figure below, view C).
7. If gas supply is interrupted, repeat steps 2 through 6.



▲ NOTE: There may be some smoke at the initial startup as the result of rust prevention coatings burning off. This is normal. Please allow at least a 15 minute burn in period before using for the first time.

TURNING ON THE FRYER

Set the thermostat knob to the desired temperature. Once the temperature is reached, the thermostat shuts off the gas flow to the burners. The pilot remains lit, and the burners will cycle on and off as needed to maintain temperature.

TURNING OFF THE FRYER

Turn the thermostat to the Off position. To keep the pilot lit, turn the gas valve to the “L” in Pilot. To completely shut down the gas to the fryer, turn the gas knob to the Off position.

EXTENDED SHUTDOWN

1. Turn the thermostat knob to OFF.
2. Push in the pilot knob and turn to OFF.
3. Thoroughly drain the fryer. Refer to DRAINING THE FRYER.
4. Clean the fryer according to CLEANING.
5. Turn off the main gas shutoff valve.

BASIC FRYING INSTRUCTIONS

1. Set the desired temperature and allow oil to heat up.
2. Fry items that are about the same size together to ensure uniform cooking.
3. Drain or wipe dry raw or wet foods to minimize splatter when lowering into hot shortening.

4. Add fresh oil as needed.

FRY BASKET GUIDELINES

- DO NOT overfill fry baskets. (See table below for capacity)
- Carefully lower baskets into oil.
- Only turn items frying once while cooking.
- When cooking french fries or onion rings, etc., shake the basket (carefully, to avoid splattering oil) to keep items in basket separated while cooking.
- Battered foods should be dropped carefully, one at a time, into fry basket or oil.
- If using basket, dip it first into the hot oil to prevent batter from building up on the baskets surfaces.
- When cooking is complete, remove basket or food items from oil. Hang basket on rear hanger.

FRY BASKET CAPACITY

| Model | MCCGF40 | MCCGF50 | MCCGF70 |
|---------------------|-------------------|-------------------|-------------------|
| Fry Basket Capacity | 1.5 lbs. (0.7 kg) | 1.5 lbs. (0.7 kg) | 3.0 lbs. (1.4 kg) |

EXTENDING OIL LIFE

- DO NOT salt foods over oil in the fryer.
- Use good quality frying oil.
- Filter oil a minimum of once a day.
- Replace oil if it starts to taste bad.
- Keep equipment and surrounding area clean.
- Set thermostat at proper temperature.
- Keep moisture and foreign particles off food before placing in fryer.

DRAINING THE TANK

1. Turn the thermostat to the OFF position.
2. To keep the pilot lit, turn the gas valve to PILOT.
3. Direct the drain spout into the container that you want to drain into.
4. Open the drain valve. The oil will drain into the container. When the container is full or the fryer tank is empty, close the drain valve. Repeat this step until the fryer is empty.
5. If desired, perform the weekly clean-out as described under CLEANING.
6. Once tank is completely empty, add new oil and set thermostat to desired temperature.

DAILY FILTERING

▲ WARNING: Hot oil and parts can cause burns. Use care when operating, cleaning and servicing the fryer.

- Filter oil at least once a day. Refer to the instructions provided with your filtering equipment.
- A cold fryer will not drain properly; ALWAYS filter oil between 250° F and 350° F (121° C and 177° C).
- The shortening in the cold zone area will remain hard if the heat is only on for a few minutes. If necessary, use a clean-out rod to carefully stir the hard shortening to an area above the cold zone where it will melt.
- Use the tank brush to help clear sides and tubes of debris.

CARE AND MAINTENANCE

CLEANING

▲ WARNING: Hot oil and parts can cause burns. Use care when operating, cleaning and servicing the fryer.

▲ WARNING: Hot oil and parts can cause severe burns. ALWAYS drain oil from fryer before moving the fryer.

▲ NOTE: DO NOT use chlorine or sulfate/sulfide cleaners.

- Clean your fryer interior daily with the tank brush along with a damp cloth, and polish with a soft dry cloth. If regular cleaning is neglected, grease will be burned on and discolorations may form.
- To minimize fingerprints on the stainless steel surfaces, apply a cleaner that will leave a thin oily or waxy film.
- Keep the fryer exterior clean and free of accumulated grease to prevent stains from forming. If regular cleaning is neglected, grease will be burned on and discolorations may form.
- Clean all exterior surfaces of your fryer at least once daily.
- Use a damp cloth with warm water and a mild soap or detergent. Rinse thoroughly, and then polish with a soft dry cloth.
- Remove stains by washing with soap and water. Use a self-soaping, non-metallic scouring pad for particularly stubborn stains.
- ALWAYS rub with the grain of the stainless steel.
- DO NOT use a metallic scoring pad or harsh cleaners.

BOIL OUT PROCEDURE

Perform a boil out at least once a week, or as needed.

1. Drain the tank as described under DRAINING THE TANK.
2. Once the oil has been drained, flush out scraps and sediment with a small amount of warm oil, using tank brush. Allow the tank to drain thoroughly.
3. Close the drain valve and fill tank with non-corrosive, grease-dissolving commercial cleaner. Follow the manufacturer's instructions.
4. Add commercial boil-out solution. Solution level must be between the MIN and MAX levels on the fryer tank.

▲ NOTE: DO NOT use chlorine or sulfate/sulfide cleaners.

5. Set thermostat to the temperature recommended for the solution being used. Allow solution to simmer for about 15 to 20 minutes.
6. Drain the cleaning solution from the tank.
7. Close the drain valve and refill the tank with water. Add 1 cup (1/4 L) of vinegar to neutralize alkaline left by the cleaner. Solution level must be between the MIN and MAX level on the fryer tank.
8. Bring the solution to a simmer only, turn the thermostat off. Allow to stand for a few minutes.
9. Drain the tank according to DRAINING THE TANK. Rinse thoroughly with clear, hot water. All traces of cleaner must be removed. Dry the tank thoroughly.
10. Close the drain valve and add oil. Follow the FILLING TANK WITH OIL procedure in this manual.

FLUE VENT INSPECTION

Perform an inspection of the flue vent at least once a year. Allow the fryer to cool for inspection. Check the flue and clear any obstructions; clean as necessary.

TROUBLESHOOTING

Aforementioned issues are just for reference. If any failure occurs, please stop using and contact a professional technician to check and repair. ALWAYS be safe and shut off the power supply and gas supply before performing any maintenance.

| Problem | Possible Causes |
|--------------------------|---|
| No heat | Thermostat dial in Off position Pilot not lit Gas supply not turned on Loose wire connection (call for service) Wire connection in need of cleaning (call for service) Thermopile (call for service) |
| Heat too high or too low | Thermostat dial not set to correct temperature High limit tripped (call for service) Temperature probe (call for service) |
| Tank will not drain | Oil too cold Drain pipe clogged |



LIMITED WARRANTY

MC Appliance Corporation warrants each new Commercial Gas Fryer to be free from defects in material and workmanship, and agrees to remedy any such defect or to furnish a new part(s), at the company's option, for any part(s) of the unit that has failed during the warranty period. Parts and labor expenses are covered on this unit for a period of one year from the date of purchase. A copy of the dated sales receipt or invoice is required to receive warranty service, replacement or refund.

In the event the unit requires replacement or refund under the terms of this warranty, the consumer is responsible for all transportation expenses to return the unit to our factory prior to receiving a replacement unit or refund. A refund or replacement will be issued at the discretion of MC Appliance Corporation.

This warranty covers appliances in use within the contiguous United States, Alaska, Hawaii and Puerto Rico. This warranty does not cover the following:

- Damages due to shipping damage or improper installation.
- Damages due to misuse or abuse.
- Content losses due to failure of the unit.
- Inside components such as door panels, door shelves, racks, light bulbs, etc.
- Repairs performed by unauthorized service agents.
- Service calls that do not involve defects in material and workmanship such as instructions on proper use of the product or improper installation.
- Replacement or resetting of house fuses or circuit breakers.
- Failure of this product if used for other purposes than its intended purpose.
- Disposal costs for any failed unit not returned to our factory.
- Any delivery/installation costs incurred as the result of a unit that fails to perform as specified.
- Expenses for travel and transportation for product service if your appliance is located in a remote area where service by an authorized service technician is not available.
- The removal and reinstallation of your appliance if it is installed in an inaccessible location or is not installed in accordance with published installation instructions.
- Refunds for non repairable products are limited to the price paid for the unit per the sales receipt.
- This warranty is non transferable. This warranty applies only to the original purchaser and does not extend to any subsequent owner(s).

LIMITATIONS OF REMEDIES AND EXCLUSIONS:

Product repair in accordance with the terms herein, is your sole and exclusive remedy under this limited warranty. Any and all implied warranties including merchantability and fitness for a particular purpose are hereby limited to one year or the shortest period allowed by law. MC Appliance Corporation is not liable for incidental or consequential damages and no representative or person is authorized to assume for us any other liability in connection with the sale of this product. Under no circumstances is the consumer permitted to return this unit to the factory without the prior written consent of MC Appliance Corporation.

Some states prohibit the exclusion or limitation of incidental or consequential damages, or limitations on implied warranties. This warranty gives you specific legal rights, and you may also have other rights which vary from state to state.

| Model | Parts & Labor | Type of Service |
|---------------------|--------------------------|------------------------|
| MCCGF40 / MCCGF40-P | One Year | In Field Service |
| MCCGF50 / MCCGF50-P | One Year | In Field Service |
| MCCGF70 / MCCGF70-P | One Year | In Field Service |

For Service or Assistance please call 888-775-0202 or visit us on the web at www.mcappliance.com to request warranty service or order parts.



**CNA International, Inc. d/b/a MC Appliance Corporation. All rights reserved.
Magic Chef® logo is a registered trademark of CNA International, Inc.**

www.mcappliance.com

Printed in China

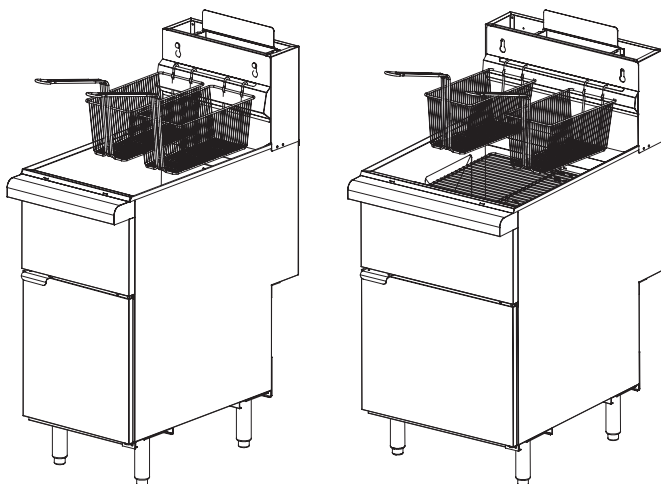


Magic Chef®

C O M M E R C I A L

Freidora de gas para uso profesional

Manual del usuario



Modelo MCCGF40 / MCCGF40-P / MCCGF50 / MCCGF50-P / MCCGF70 / MCCGF70-P

LEA ESTE MANUAL ANTES DE UTILIZAR SU FREIDORA DE GAS Y GUÁRDELO PARA FUTURA REFERENCIA.



REGISTRACIÓN DEL PRODUCTO

Gracias por comprar el producto Magic Chef®. El primer paso para proteger su nuevo producto es completar la forma de registración en nuestra pagina web: www.mcappliance.com/register. Los beneficios de registrar su producto incluyen lo siguiente:

1. Al registrar su producto nos permite contactarle para notificarle de un cambio de seguridad o actualización del producto.
2. Si llegara a necesitar servicio bajo garantía, registrando su producto nos permite ser más eficiente en procesar el servicio.
3. En el evento que usted tenga una perdida que esta cubierto por un seguro, registrando su producto puede servir como prueba de su compra.

Una vez más gracias por comprar un producto marca Magic Chef.

ÍNDICE

| | |
|--|----|
| REGISTRACIÓN DEL PRODUCTO | 19 |
| PRECAUCIONES | 21 |
| INSTRUCCIONES DE SEGURIDAD IMPORTANTES | 22 |
| ESPECIFICACIONES | 24 |
| INSTRUCCIONES DE INSTALACIÓN | 25 |
| INSTRUCCIONES DE FUNCIONAMIENTO | 28 |
| CUIDADO Y MANTENIMIENTO | 32 |
| SOLUCIÓN DE PROBLEMAS | 34 |
| GARANTÍA LIMITADA | 35 |

PRECAUCIONES

EXPLICACIÓN DE LOS SÍMBOLOS

▲ ADVERTENCIA

Peligros o prácticas inseguras que PODRÍAN provocar lesiones personales graves o la muerte.

▲ PRECAUCIÓN

Peligros o prácticas inseguras que PODRÍAN provocar lesiones personales leves o daños materiales.

▲ ADVERTENCIA: Lea y comprenda todas las precauciones de seguridad. La inobservancia de todas las instrucciones descritas en este manual del usuario podría derivar en descarga eléctrica, incendio y/o lesiones personales graves. Las advertencias, precauciones e instrucciones planteadas en este manual del usuario no cubren todas las eventuales condiciones y situaciones que podrían suscitarse.

▲ ADVERTENCIA: Si la información en este manual no se sigue exactamente, un incendio o una explosión podría resultar ocasionando daños materiales, lesiones personales o la muerte. NO guarde, ni utilice gasolina, u otro vapor o líquido inflamable en las cercanías de éste o de cualquier otro aparato.

▲ ADVERTENCIA: Fuga de Gas

- Las fugas de gas no siempre pueden ser detectadas por el olor.
- Los proveedores de gas recomiendan que usted utilice un detector de gas aprobado por UL o CSA.
- Para mayor información, comuníquese con su proveedor de gas.
- Si se detecta una fuga de gas, siga la sección “Qué hacer si huele a gas” a continuación.

▲ ADVERTENCIA: Qué hacer si huele a gas

- NO trate de encender ningún aparato.
- NO toque ningún interruptor eléctrico.
- NO utilice ningún teléfono en la casa.
- Inmediatamente llame a su proveedor de gas desde un teléfono afuera de la casa. (Ej.: Vaya a la casa del vecino para llamar a su proveedor de gas o al departamento de bomberos).
- Si el proveedor de gas no puede ser contactado, llame al departamento de bomberos.
- La instalación y el servicio deben ser ejecutados por un instalador calificado o una agencia de servicio.

INSTRUCCIONES DE SEGURIDAD IMPORTANTES

▲ ADVERTENCIA: Cuando utilice aparatos de gas, debe seguir las precauciones básicas de seguridad, incluidas las siguientes.

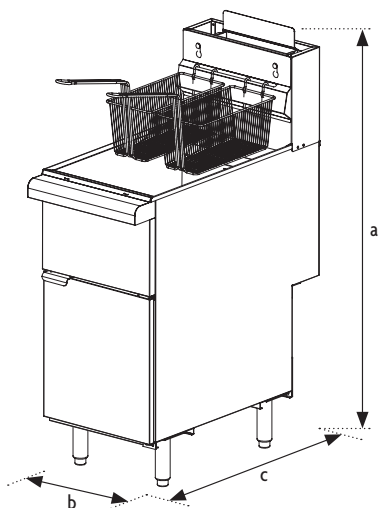
1. Lea todas las instrucciones antes de utilizar el aparato.
2. El aparato debe ser instalado de acuerdo con los códigos requeridos:
 - En los Estados Unidos:
Códigos estatales y locales, o en ausencia de los códigos locales:
Código Nacional de Gas Combustible, ANSI-Z223.1/NFPA n.º 54 (última edición).
Se pueden obtener copias del Comité de Estándares Acreditados de la Asociación Americana de Gas Z223, @ 400 N. Capital St. NW, Washington, DC 20001 o del Consejo de Estándares de la Secretaría de la NFPA, 1
Batterymarch Park, Quincy, MA 02169-7471.
Estándar n.º 96 de la NFPA Extracción de vapor del equipo de cocina, última edición, disponible en National Fire Protection Association, Batterymarch Park, Quincy, MA.
 - En Canadá:
Códigos locales:
CAN/CSA-B149.1 Instalación de Gas Natural (última edición).
CAN/CSA B149.2 Código de Instalación de Gas Propano (última edición), disponible en la Asociación de Gas Canadiense
178 Rexdale Blvd., Etobicoke, Ontario Canadá M9W 1R3.
3. **▲ ADVERTENCIA:** Si huele a gas, manténgase alejado del fuego. NO encienda ningún dispositivo ni toque un interruptor eléctrico. NO utilice ningún teléfono en el edificio. Cierre inmediatamente la válvula de gas principal y llame a un técnico de servicio profesional para que revise la unidad.
4. **▲ PRECAUCIÓN:** Las altas temperaturas pueden causar quemaduras. NO toque la superficie del aparato directamente con las manos debido a las altas temperaturas durante o después de la operación.
5. La instalación y el mantenimiento solo deben realizarse por profesionales certificados. La instalación incorrecta podría causar lesiones graves o la muerte, y puede anular la garantía.
6. Cualquier automodificación, instalación incorrecta, ajuste o mantenimiento puede provocar pérdidas de bienes y accidentes. Comuníquese con el fabricante o un técnico de servicio para cualquier ajuste o mantenimiento necesario, y deje que el trabajo lo realice una persona capacitada y calificada.
7. NO desmonte ni modifique el dispositivo. Cualquier modificación puede ocasionar accidentes y anular la garantía.
8. Retire los materiales de embalaje y verifique que la freidora no esté dañada. Si tiene alguna pregunta o si hay algún problema, llame al servicio y NO use el aparato. Mantenga el material de embalaje lejos del alcance de los niños.
9. El aparato solo debe utilizarse con válvulas reguladoras de gas de baja presión. El uso de otras válvulas reguladoras puede provocar pérdidas y accidentes.
10. NO coloque el aparato cerca de líquidos, gases, u objetos inflamables o explosivos.
11. Si coloca el aparato cerca de paredes, tabiques, muebles de cocina, etc., asegúrese de que estén hechos de materiales incombustibles resistentes al calor y siga todas las reglamentaciones contra incendios.
12. El aparato debe instalarse en un área bien ventilada con instalaciones de evacuación para asegurar que todos los gases producidos se ventilen correctamente.

13. Este aparato no debe ser operado por nadie que no pueda seguir los procedimientos de seguridad adecuados o que no tenga experiencia con este tipo de equipos, a menos que sea bajo una atenta supervisión.
14. Mantenga el dispositivo lejos del alcance de los niños.
15. La operación incorrecta o inadecuada del aparato puede provocar fugas o deflagraciones de gas. El fabricante no se hace responsable de incendios o accidentes resultantes de un funcionamiento o mantenimiento inadecuado.
16. NO coloque objetos o materiales inflamables sobre los quemadores, o cerca de ellos.
17. Cuando lo utilice por primera vez, puede tardar un poco más en encender debido al aire existente en la nueva tubería. Si no puede encender el piloto, apague el suministro de gas durante tres a cinco minutos para evitar la deflagración.
18. SIEMPRE se debe apagar cuando no esté en uso.
19. Este dispositivo es solamente para uso profesional, y no para otros fines.
20. Este producto es una máquina profesional que debe ser operada por cocineros capacitados y no está diseñada para uso doméstico.
21. NO coloque objetos pesados sobre el aparato. El funcionamiento anormal puede causar daños.
22. NO coloque ningún objeto en el respiradero. Hacerlo puede bloquear el conducto de gas y causar lesiones.
23. NO dañe el panel de control con objetos duros o afilados.
24. NO rocíe agua en el aparato. Limpie la superficie de acero inoxidable regularmente para evitar daños causados por el óxido y las reacciones químicas.
25. Guarde este manual. Al transferir/vender el dispositivo a un tercero, el manual debe ser entregado junto con el dispositivo. Todos los usuarios deben operar el dispositivo de acuerdo con el manual del usuario y las guías de seguridad relacionadas.
26. El fabricante no se hace responsable de incendios o accidentes resultantes de un funcionamiento o mantenimiento inadecuado.

**LEA Y SIGA ESTA INFORMACIÓN DE
SEGURIDAD CUIDADOSAMENTE
GUARDE ESTAS INSTRUCCIONES**

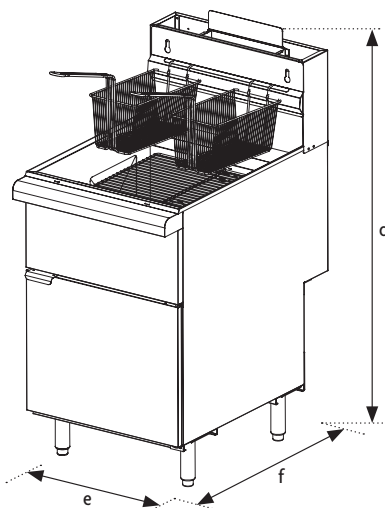
ESPECIFICACIONES

Figura 1



▲ Modelo MCCGF40 & MCCGF50

- a. 47.1" (1196 mm)
- b. 15.5" (394 mm)



▲ Modelo MCCGF70

- c. 30.28" (769 mm)
- d. 47.1" (1196 mm)
- e. 21.0" (533 mm)
- f. 30.28" (769 mm)

| Modelo | Tamaño del orificio | | Dimensiones (al. x lar. x an.) | Peso neto | BTU/h | Número de tubos de calor |
|-----------|---------------------|-------------|-----------------------------------|------------|--------|-----------------------------|
| MCCGF40 | Gas NP | #39 (2.5mm) | 47.1" x 15.5" x 30.3" | 136.7 lbs. | 90000 | 3 |
| MCCGF40-P | Propano | #52 (1.6mm) | 1196 x 394 x 770 (mm) | (62.0 kg) | | |
| MCCGF50 | Gas NP | #39 (2.5mm) | 47.1" x 15.5" x 30.3" | 147.7 lbs. | 120000 | 4 |
| MCCGF50-P | Propano | #52 (1.6mm) | 1196 x 394 x 770 (mm) | (67.0 kg) | | |
| MCCGF70 | Gas NP | #39 (2.5mm) | 47.1" x 21.0" x 30.3" | 176.4 lbs. | 150000 | 5 |
| MCCGF70-P | Propano | #52 (1.6mm) | 1196 x 533 x 770 (mm) | (80.0 kg) | | |

INSTRUCCIONES DE INSTALACIÓN

TRANSPORTE Y ALMACENAMIENTO

Durante el transporte, el equipo de cocina debe ser manejado cuidadosamente. NO lo coloque boca abajo. El equipo debe ser almacenado en un depósito bien ventilado sin gas corrosivo. Si tiene que dejar el equipo en el exterior temporalmente, asegúrese de que no entre en contacto con la lluvia.

DESEMBALAJE

Esta freidora fue cuidadosamente inspeccionada antes de salir de la fábrica. Tras la aceptación del envío, la compañía de transporte asume responsabilidad plena de la entrega segura. Inmediatamente después de desembalar la freidora, verifique que no haya daños de embalaje. Si la freidora está dañada, guarde el material de embalaje y comuníquese con la compañía de transporte dentro de los 15 días posteriores a la entrega.

Compruebe que se haya incluido lo siguiente:

- Parrilla de migajas
- Colgador de canastas
- Patas ajustables (4)
- Extensión del tubo de drenaje
- Canastas gemelas para freír (2)
- Manual y garantía

NO use la puerta ni su manija para levantarla.

NOTA DE INSTALACIÓN

Antes de la instalación, verifique que el tipo de gas (natural o propano) coincida con las especificaciones de la placa de datos que se encuentra en la parte posterior o lateral del aparato. Asegúrese de que el dispositivo esté configurado para la elevación correcta.

Registre el modelo y los números de serie para futuras referencias en el espacio provisto a continuación. Esta información se encuentra en la placa de datos.

N.º de modelo: _____ N.º de serie: _____

1. La instalación debe realizarse por técnicos certificados.
2. Antes de la instalación, retire el plástico exterior, si lo hubiera, y limpie cualquier resto sobre el acero inoxidable con un paño y agua tibia. Asegúrese de enjuagar con agua limpia y un paño.
3. La conexión del dispositivo debe ajustarse a las disposiciones de seguridad, instalación y uso del gas.
4. La instalación desde el extremo de salida del medidor de flujo de gas o del regulador de servicio al tubo de gas del dispositivo debe ser realizada por técnicos profesionales capacitados. También deben probar primero el equipo de cocina y hacer cualquier ajuste necesario.
5. Compruebe el tipo de gas y la presión para asegurarse de que se ajustan a los marcados en la etiqueta de clasificación. Si el tipo de gas o la presión están conectados incorrectamente, NO use el aparato, ya que el funcionamiento puede verse afectado y podría existir un riesgo para la seguridad. La presión del gas se debe fijar en 0.144 lb/pulg² – 0.147 lb/pulg² (4" W.C./1.016 kPa) para el gas natural y 0.36 lb/pulg² – 0.37 lb/pulg² (10" W.C./2.54 kPa) para el gas propano. Si la presión de suministro de gas es mayor de ½ lb/pulg² (3.5 kPa), debe instalarse un regulador de presión adicional.

6. De acuerdo con las normas de requisitos locales y la estricta recomendación del fabricante, puede ser necesaria una válvula de cierre de gas entre la tubería de suministro de gas y el regulador de presión de gas. Si la instalación de una válvula de cierre de gas tiene algún requisito local, el profesional de instalación de gas deberá evaluarlo.
7. Cubra con un poco de sellador de tubería destinado para gasoductos en todas las uniones de la tubería. El sellador debe estar clasificado para su uso y ser resistente a la acción del gas.
8. Después de conectar el aparato al sistema de gas, verifique que no haya fugas en las uniones de la tubería; para ello, utilice agua jabonosa o un detector de fugas específico (aerosol). NO utilice llamas abiertas.
9. Cuando se utilice por primera vez, puede tardar un poco más en encender debido al aire existente en la nueva tubería. Si no se enciende, apague el interruptor de encendido durante tres minutos antes de intentar de nuevo para que no escape el gas y así evitar la deflagración.
10. Este aparato debe instalarse sobre una superficie estable, nivelada e incombustible (por ejemplo, cemento, baldosas cerámicas, terrazo o superficie metálica). Verifique todas las reglamentaciones locales. Asegúrese de dejar un espacio libre para una ventilación adecuada.
11. El dispositivo solo se debe utilizar cuando las patas estén instaladas correctamente, y el aparato esté estable y nivelado.
12. Este dispositivo solo se debe utilizar en un área no combustible.
13. El aparato debe tener una separación mínima de 6" (15 cm) en ambos lados y en la parte posterior, y una separación mínima de 16" (41 cm) entre la freidora y cualquier fuente de llama abierta.
14. La instalación debe permitir un flujo de aire adecuado para la combustión, y no debe bloquear el escape y la ventilación. SIEMPRE siga todas las reglamentaciones con respecto a la ventilación y al escape.
15. Asegúrese de que el escape no interfiera con la entrada de aire del dispositivo.
16. Después de la instalación, nivele el dispositivo y manténgalo estable. NO mueva ni incline el dispositivo durante la operación.

▲ NOTA: NO bloquee ni interfiera la ventilación necesaria durante el funcionamiento normal del aparato.

▲ NOTA: La freidora debe estar sujeta o instalada de manera que evite que se vuelque y salpique el líquido caliente. Los medios de sujeción pueden ser la forma de instalación, tal como la conexión a un conjunto de aparatos, la instalación de la freidora en un rincón, o por medios externos tales como amarres adecuados.

UBICACIÓN

- Instale la freidora en un área con suficiente suministro de aire para la combustión de gas en los quemadores de la freidora.
- NO obstruya el flujo de combustión y el aire de ventilación.
- Proporcione un espacio libre adecuado para las aberturas de aire en la cámara de combustión.
- NO permita que los ventiladores soplen directamente sobre la freidora.
- Evite los ventiladores de pared que crean corrientes cruzadas dentro de una habitación.
- Evite las ventanas abiertas junto a los lados o la parte trasera.

CONEXIÓN DE LA CHIMENEA

- Ubique la freidora debajo de una campana con una conexión adecuada a un conducto de escape. La campana debe extenderse 6" (15 cm) más allá de la freidora en ambos lados.
- La limpieza por encima de la freidora debe ser adecuada para eliminar los vapores de gas y grasa de manera eficiente.

- Se debe mantener un espacio mínimo de 18" (46 cm) entre el respiradero de la chimenea y los filtros del sistema de ventilación de la campana.
- Nunca realice conexión directa de la chimenea a la freidora.
- NO obstruya el flujo de los gases del aparato.
- Se debe mantener un equilibrio adecuado del aire en la habitación.

COMPROBACIÓN DEL SISTEMA DE TUBERÍAS DE SUMINISTRO DE GAS

- Cuando la prueba de presión es mayor de $\frac{1}{2}$ lb/pulg² (3.5 kPa), la freidora y su válvula de cierre deben ser desconectadas del sistema de tubería de suministro de gas.
- Cuando la prueba de presión es de $\frac{1}{2}$ lb/pulg² (3.5 kPa) o inferior, la freidora debe estar aislada del sistema de tubería de suministro de gas cerrando su válvula de cierre individual.

NIVELACIÓN DE LA FREIDORA

- Verifique el nivel de la freidora de adelante hacia atrás y de lado a lado después de hacer las conexiones de gas, y coloque un nivel de burbuja en la parte superior de la freidora. Ajuste las patas de nivelación según sea necesario para nivelar la freidora.
- Una vez en posición final, compruebe nuevamente que la unidad esté nivelada usando un nivel de burbuja.

INSTRUCCIONES DE FUNCIONAMIENTO

▲ **ADVERTENCIA:** El aceite y las piezas calientes pueden causar quemaduras. Tenga cuidado al hacer funcionar y limpiar la freidora, y al hacerle el mantenimiento.

▲ **ADVERTENCIA:** Derramar aceite caliente puede causar quemaduras graves. NO mueva la freidora sin drenar todos los residuos de fritura del tanque.

LIMPIEZA ANTERIOR AL USO

Las unidades nuevas se limpian en la fábrica para eliminar los signos visibles de suciedad, aceite, grasa, etc. que quedan del proceso de fabricación.

Antes de cualquier preparación de alimentos, limpie cuidadosamente el aceite protector de todas las partes de la superficie y el interior del tanque con agua caliente jabonosa para eliminar cualquier resto de película, y polvo o restos.

▲ **NOTA:** NO use limpiadores de cloro o sulfato/sulfuro.

▲ **NOTA:** Lave los accesorios que acompañen a la unidad.

▲ **NOTA:** Enjuague la freidora y los accesorios por completo, y drene la freidora.

▲ **NOTA:** Limpie el tanque hasta que quede completamente seco con un paño suave y limpio.

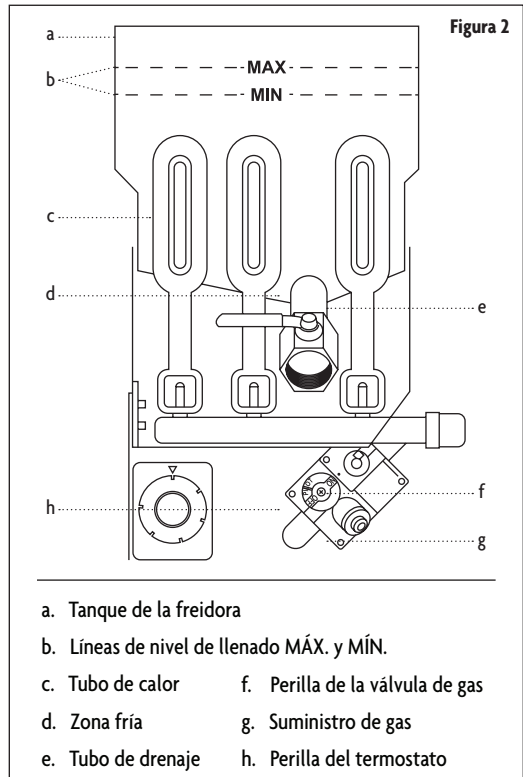
LLENADO DEL TANQUE CON ACEITE

▲ **NOTA:** NO se deben utilizar grasas sólidas con la freidora. Derretir grasas sólidas dañará el tanque y anulará la garantía.

1. Cierre la válvula de drenaje.
2. Llene el tanque de la freidora con aceite líquido hasta que este se encuentre entre las líneas MÍN. y MÁX. El aceite se expandirá cuando se caliente. NO llene por encima de la línea de llenado MÁX.
3. Agregue aceite nuevo según sea necesario para mantener el nivel de la línea MÍN.

CIERRE DE ALTA TEMPERATURA

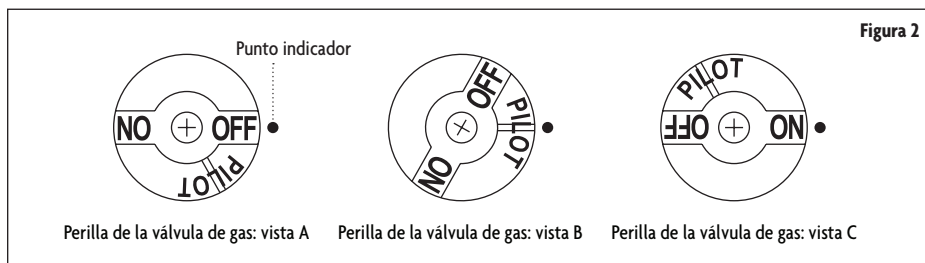
- Si el aceite se recalienta, un dispositivo de cierre de alta temperatura apagará la válvula de gas y el piloto.
- Si la freidora se apaga debido a un sobrecalentamiento, NO intente volver a encender el piloto hasta que la temperatura del aceite esté por debajo de los 300 °F (149 °C).



- Si persiste una situación de sobrecalentamiento, comuníquese con el fabricante o con un técnico de servicio autorizado.

ENCENDIDO DEL PILOTO

1. Abra la puerta.
2. Gire el termostato situado detrás de la puerta a la posición APAGADO (OFF).
3. Presione la perilla de la válvula de control de gas y gírela a APAGADO. (Vea la figura que aparece abajo, vista A) Espere cinco minutos para que el gas no quemado ventile.
4. Presione y gire la perilla de la válvula de control de gas a la “L” en PILOTO (PILOT) (vea la figura que aparece abajo, vista B).
5. Mientras mantiene la perilla presionada, encienda el piloto. Continúe presionando la perilla de 30 segundos a un minuto hasta que el piloto permanezca encendido cuando suelte la perilla. Si el piloto no permanece encendido, repita los pasos 3 a 5.
6. Presione y gire la perilla de control a ENCENDIDO (ON) (vea la figura que aparece abajo, vista C).
7. Si se interrumpe el suministro de gas, repita los pasos 2 a 6.



▲ NOTA: Puede haber un poco de humo en el arranque inicial como resultado de la quemadura de recubrimientos de prevención de óxido. Esto es normal. Deje que se quemé por lo menos 15 minutos antes de usar el aparato por primera vez.

ENCENDIDO DE LA FREIDORA

Gire la perilla del termostato a la temperatura deseada. Una vez que se alcanza la temperatura, el termostato corta el suministro del flujo de gas a los quemadores. El piloto permanece encendido, y los quemadores se encienden y se apagan según sea necesario para mantener la temperatura.

APAGADO DE LA FREIDORA

Gire el termostato a la posición Apagado (Off). Para mantener encendido el piloto, gire la válvula de gas a la posición “L” en Piloto (Pilot). Para apagar completamente el gas de la freidora, gire la perilla de gas a la posición Apagado (Off).

CIERRE PROLONGADO

1. Gire la perilla del termostato a APAGADO (OFF).
2. Presione la perilla del piloto y gírela a APAGADO (OFF).
3. Drene completamente la freidora. Consulte DRENAJE DE LA FREIDORA.

4. Limpie la freidora según el apartado LIMPIEZA.
5. Apague la válvula principal de cierre de gas.

INSTRUCCIONES BÁSICAS DE FRITURA

1. Ajuste la temperatura deseada y permita que el aceite se caliente.
2. Fría juntos los alimentos que son aproximadamente del mismo tamaño para asegurar la cocción uniforme.
3. Escorra o seque los alimentos crudos o húmedos para minimizar las salpicaduras cuando los coloque en el aceite caliente.
4. Agregue aceite nuevo según sea necesario.

PAUTAS PARA LAS CANASTAS PARA FREÍR

- NO llene demasiado las canastas para freír. (Vea la tabla a continuación para saber la capacidad)
- Sumerja cuidadosamente las canastas en el aceite.
- Solo gire los alimentos que esté fritando una vez mientras cocina.
- Al cocinar papas fritas, aros de cebolla, etc., agite la canasta (con cuidado para evitar salpicaduras de aceite) a fin de mantener los elementos separados durante la cocción.
- Los alimentos rebozados se deben dejar caer cuidadosamente, uno a la vez, en la canasta para freír o en el aceite.
- Si usa la canasta, sumérgjala primero en el aceite caliente para evitar que la masa se acumule en las superficies de la canasta.
- Cuando termine de cocinar, retire la canasta o los alimentos del aceite. Cuelgue la canasta en el colgador posterior.

CAPACIDAD DE LAS CANASTAS PARA FREÍR

| Modelo | MCCGF40 | MCCGF50 | MCCGF70 |
|--------------------------------------|-------------------|-------------------|-------------------|
| Capacidad de las canastas para freír | 1.5 lbs. (0.7 kg) | 1.5 lbs. (0.7 kg) | 3.0 lbs. (1.4 kg) |

PROLONGAR LA DURACIÓN DEL ACEITE

- NO sale los alimentos sobre el aceite en la freidora.
- Utilice aceite para freír de buena calidad.
- Filtre el aceite al menos una vez al día.
- Reemplace el aceite si empieza a tener mal sabor.
- Mantenga limpio el equipo y el área alrededor.
- Ajuste el termostato a una temperatura adecuada.
- Mantenga la humedad y las partículas extrañas lejos de los alimentos antes de colocarlos en la freidora.

DRENAJE DEL TANQUE

1. Gire el termostato a la posición Apagado (Off).
2. Para mantener encendido el piloto, gire la válvula de gas a Piloto (Pilot).

3. Dirija el caño de drenaje al recipiente que desea drenar.
4. Abra la válvula de drenaje. El aceite se drenará en el recipiente. Cuando el recipiente esté lleno o el tanque de la freidora esté vacío, cierre la válvula de drenaje. Repita este paso hasta que la freidora esté vacía.
5. Si lo desea, realice la limpieza semanal como se describe en apartado LIMPIEZA.
6. Una vez que el tanque esté completamente vacío, agregue aceite nuevo y ajuste el termostato a la temperatura deseada.

FILTRADO DIARIO

▲ ADVERTENCIA: El aceite y las piezas calientes pueden causar quemaduras. Tenga cuidado al hacer funcionar y limpiar la freidora, y al hacerle el mantenimiento.

- Filtre el aceite al menos una vez al día. Consulte las instrucciones provistas con su equipo de filtrado.
- Una freidora fría no drenará correctamente; SIEMPRE filtre el aceite entre 250 °F y 350 °F (121 °C y 177 °C).
- Las grasas en el área de la zona fría permanecerán duras si se enciende el fuego solo por algunos minutos. Si es necesario, utilice una varilla de limpieza para remover con cuidado las grasas duras a un área por encima de la zona fría donde se derretirá.
- Utilice el cepillo del tanque para ayudar a limpiar los restos de los lados y los tubos.

CUIDADO Y MANTENIMIENTO

LIMPIEZA

▲ ADVERTENCIA: El aceite y las piezas calientes pueden causar quemaduras. Tenga cuidado al hacer funcionar y limpiar la freidora, y al hacerle el mantenimiento.

▲ ADVERTENCIA: El aceite y las piezas calientes pueden causar quemaduras graves. SIEMPRE elimine el aceite de la freidora antes de moverla.

▲ NOTA: NO use limpiadores de cloro o sulfato/sulfuro.

- Limpie el interior de la freidora diariamente con el cepillo del tanque junto con un paño húmedo, y pula con un paño suave y seco. Si se descuida la limpieza regular, la grasa se quemará y se pueden formar decoloraciones.
- Para minimizar las huellas dactilares en las superficies de acero inoxidable, aplique un limpiador que deje una fina película de aceite o cera.
- Mantenga el exterior de la freidora limpio y libre de grasa acumulada para evitar que se formen manchas. Si se descuida la limpieza regular, la grasa se quemará y se pueden formar decoloraciones.
- Limpie todas las superficies exteriores de su freidora al menos una vez al día.
- Use un paño húmedo con agua tibia, y un jabón suave o detergente. Enjuague por completo, y luego pula con un paño suave y seco.
- Quite las manchas lavándolas con agua y jabón. Utilice un estropajo no metálico con detergente para las manchas particularmente difíciles.
- SIEMPRE frote en dirección del vetado del acero inoxidable.
- NO utilice una almohadilla metálica ni limpiadores fuertes.

PROCEDIMIENTO DE LIMPIEZA QUÍMICA (BOIL-OUT)

Realice la limpieza química al menos una vez a la semana, o según sea necesario.

1. Drene el tanque como se describe en DRENAJE DEL TANQUE.
2. Una vez que el aceite ha sido drenado, enjuague los desechos y sedimentos con una pequeña cantidad de aceite caliente usando el cepillo del tanque. Deje que el tanque se drene por completo.
3. Cierre la válvula de drenaje y llene el tanque con un limpiador comercial no corrosivo que disuelva la grasa. Siga las instrucciones del fabricante.
4. Agregue solución de limpieza química Boil-Out comercial. El nivel de la solución debe estar entre los niveles MÍN. y MÁX. en el tanque de la freidora.

▲ NOTA: NO use limpiadores de cloro o sulfato/sulfuro.

5. Ajuste el termostato a la temperatura recomendada para la solución que está utilizando. Deje que la solución hierva cerca de 15 a 20 minutos.
6. Drene la solución de limpieza del tanque.
7. Cierre la válvula de drenaje y rellene el tanque con agua. Agregue una taza (1/4 l) de vinagre para neutralizar la alcalina que dejó el limpiador. El nivel de la solución debe estar entre los niveles MÍN. y MÁX. en el tanque de la freidora.
8. Hierva la solución a fuego lento, apague el termostato. Deje reposar durante unos minutos.

9. Drene el tanque según el apartado DRENAJE DEL TANQUE. Enjuague completamente con agua limpia y caliente. Todos los rastros del limpiador deben ser removidos. Seque el tanque completamente.
10. Cierre la válvula de drenaje y agregue aceite. Siga el procedimiento de LLENADO DEL TANQUE CON ACEITE de este manual.

INSPECCIÓN DE LA CHIMENEA

Realice una inspección de la chimenea por lo menos una vez al año. Deje que la freidora se enfríe para realizar la inspección. Verifique la chimenea y elimine cualquier obstrucción; limpie según sea necesario.

SOLUCIÓN DE PROBLEMAS

Los problemas mencionados anteriormente son solo de referencia. Si ocurre algún fallo, deje de usar el aparato, y comuníquese con un técnico profesional para que lo revise y repare. SIEMPRE tenga cuidado, y cierre la fuente de alimentación y el suministro de gas antes de realizar cualquier mantenimiento.

| Problema | Causas posibles |
|---------------------------------------|--|
| No calienta | La perilla del termostato en la posición de apagado El piloto no está encendido El suministro de gas no está activado Conexión de cable suelto (llamar al servicio técnico) La conexión del cable necesita limpieza (llamar al servicio técnico) Termopila (llamar al servicio técnico) |
| La temperatura es muy alta o muy baja | La perilla del termostato no está ajustada en la temperatura correcta Límite máximo superado (llamar al servicio técnico) Sensor de temperatura (llamar al servicio técnico) |
| El tanque no drena | El aceite está muy frío El tubo de drenaje está obstruido |



GARANTÍA LIMITADA

MC Appliance Corporation garantiza que todas las Freidora de gas para uso profesional carecen de defectos en el material y la mano de obra y acuerda solucionar cualquiera de estos defectos o instalar la(s) parte(s) nueva(s) (a elección de la compañía) en caso de que la unidad haya fallado durante el periodo de garantía. Las partes y gastos de reparación están cubiertos en esta unidad por un periodo de un año a partir de la fecha de compra. Es necesario presentar una copia del recibo o factura de compra con fecha para obtener los servicios de la garantía, el reemplazo o el reembolso.

Si en el acontecimiento la unidad requiere el reemplazo o el reembolso bajo términos de esta garantía el consumidor es responsable de todos los costos del transporte volver la unidad a nuestra fábrica antes de recibir una unidad o un reembolso del reemplazo. Un reembolso o reemplazo será emitido a la discreción del MC Appliance Corporation.

Esta garantía cubre los aparatos que se usen dentro de los Estados Unidos contiguos, Alaska, Hawái y Puerto Rico. La garantía no cubre lo siguiente:

- Daños debido al daño del envío o a la instalación incorrecta.
- Daños debido al mal uso o abuso.
- Pérdidas de contenido debido a falla de la unidad.
- Componentes internos como paneles de puertas, estantes en la puerta, estantes, bombillas, etc.
- Las reparaciones se realizaron por los agentes desautorizados del servicio.
- Llamadas de servicio que no implican defectos en material y la ejecución tal como instrucción en el uso apropiado del producto o de la instalación incorrecta.
- Reemplazo o reajuste de los fusibles o de los interruptores de la casa.
- Falla de este producto si se usa con fines distintos a los que fue diseñado.
- Costes de la disposición de unidades falladas no vueltas a nuestra fábrica.
- Todos los gastos de entrega/instalación incurridos como resultado de una unidad que no cumple con lo especificado.
- Gastos de viajes y el transporte de los productos principales de servicio si su aparato está situado en una zona remota donde el servicio por un técnico de servicio no está disponible.
- La remoción y reinstalación de su gran aparato, si está instalado en un lugar inaccesible o no está instalado de conformidad con las instrucciones de instalación publicadas.
- Restituciones por productos no reparables se limita al precio pagado por la unidad por el recibo de compra.
- Esta garantía es intransferible. Esta garantía es válida exclusivamente para el comprador original y no se extiende a ningún otro propietario o propietarios subsiguientes.

LIMITACIONES DE REMEDIOS Y EXCLUSIONES

La reparación del producto de acuerdo con los términos de este documento, es el único y exclusivo remedio determinado en esta garantía limitada. Todas y cada una de las garantías implicadas, incluyendo la calidad de comerciable y capacidad para un propósito particular, se limitan mediante la presente a un año o el periodo más corto permitido por la ley. MC Appliance Corporation no es responsable por daños incidentales ni resultantes y ningún representante o persona alguna están autorizados para asumir de parte nuestra ninguna otra responsabilidad en relación con la venta de este producto. Bajo ninguna circunstancia se le permite al consumidor regresar esta unidad a la fábrica sin consentimiento previo por escrito de MC Appliance Corporation.

Algunos estados prohíben la exclusión o limitación por daños incidentales o resultantes, o limitaciones en las garantías implícitas. Esta garantía le otorga a usted derechos legales específicos, y usted puede también tener otros derechos que varían según la entidad federal/iva donde se encuentre.

| Modelo | Partes y trabajo | Tipo de servicio |
|---------------------|-------------------------|-------------------------|
| MCCGF40 / MCCGF40-P | Un año | Servicio en campo |
| MCCGF50 / MCCGF50-P | Un año | Servicio en campo |
| MCCGF70 / MCCGF70-P | Un año | Servicio en campo |

Para servicio o asistencia, llame por favor al 866-789-0202. O visítenos en www.mcappliance.com para solicitar el servicio de garantía o repuestos.



CNA International, Inc. realiza negocios bajo el nombre de MC Appliance Corporation. Derechos reservados. Magic Chef® es una marca registrada de CNA International, Inc.

www.mcappliance.com

Impreso en China

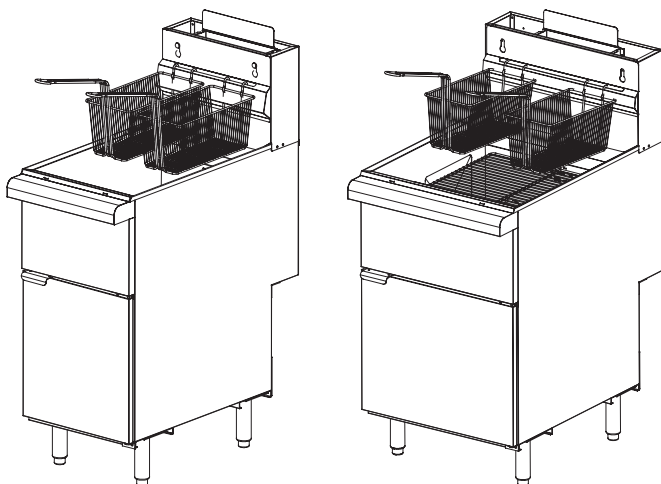


Magic Chef®

C O M M E R C I A L

Friteuse commerciale au gaz

Manuel d'utilisation



Modèle MCCGF40 / MCCGF40-P / MCCGF50 / MCCGF50-P / MCCGF70 / MCCGF70-P

**LISEZ ATTENTION CE MANUEL AVANT D'UTILISER FRITEUSE COMMERCIALE
AU GAZ É ET CONSERVEZ-LE POUR RÉFÉRENCE FUTUR.**



COPIE DE L'ENREGISTREMENT DU PRODUIT

Nous tenons à vous remercier d'avoir acheter un produit Magic Chef. La première démarche à suivre pour protéger votre nouveau produit est de remplir la demande d'enregistrement du produit sur notre site Web à www.mcappliance.com/register. L'enregistrement de votre produit vous offrent les avantages suivants :

1. L'enregistrement de votre produit nous permettra de vous contacter au sujet d'un avis de sécurité ou d'une amélioration apportée au produit.
2. L'enregistrement de votre produit permettra de traiter plus rapidement toute demande d'application de la garantie si nécessaire.
3. L'enregistrement de votre produit pourrait faire preuve d'achat en cas de perte d'assurance.

Nous tenons encore à vous remercier d'avoir acheter un produit Magic Chef.

CONTENU

| | |
|--|----|
| COPIE DE L'ENREGISTREMENT DU PRODUIT | 38 |
| PRÉCAUTIONS | 40 |
| INSTRUCTIONS IMPORTANTES DE SÉCURITÉ | 41 |
| SPÉCIFICATIONS..... | 43 |
| INSTRUCTIONS D'INSTALLATION | 44 |
| INSTRUCTIONS D'UTILISATION | 47 |
| SOIN ET ENTRETIEN | 51 |
| DÉPANNAGE | 53 |
| GARANTIE LIMITÉE | 54 |

PRÉCAUTIONS

EXPLICATIONS DES SYMBOLES

▲ AVERTISSEMENT

Des conduites dangereuses qui POURRAIENT occasionner des blessures corporelles ou la mort.

▲ ATTENTION

Des conduites dangereuses qui POURRAIENT occasionner des blessures corporelles mineures ou des dommages matériels.

▲ AVERTISSEMENT: Lisez et comprenez toutes les précautions de sécurité. Ne pas suivre les instructions décrites dans ce manuel de l'utilisateur peut occasionner des décharges électriques, feux et/ou des dommages corporels. Les avertissements, attentions et instructions dans ce manuel d'utilisation ne peuvent pas couvrir toutes les situations et conditions possibles.

▲ AVERTISSEMENT: Si l'information de ce manuel n'est pas respectée, un feu ou une explosion pourrait occasionner des dommages matériels, corporels ou même la mort. NE PAS entreposer ou utiliser de l'essence ou d'autres vapeurs inflammables près de cet ou d'un autre appareil.

▲ AVERTISSEMENT: Fuite de gaz

- Les fuites de gaz ne peuvent pas toujours être détectées à l'odeur.
- Les fournisseurs recommandent d'utiliser un détecteur de gaz approuvé par UL ou CSA.
- Pour plus d'informations, contactez votre fournisseur de gaz.
- Si une fuite de gaz est détectée, suivez les instructions de la section ci-dessous «Quoi faire si vous sentez du gaz».

▲ AVERTISSEMENT: Quoi faire si vous sentez du gaz

- NE PAS essayer d'allumer l'appareil.
- NE PAS toucher un bouton électrique.
- NE PAS utiliser de téléphones à la maison.
- Appeler immédiatement votre fournisseur de gaz avec un téléphone à l'extérieur de l'immeuble. (P.e : Allez chez le voisin pour appeler votre fournisseur de gaz ou les pompiers)
- Si vous n'arrivez pas à rejoindre votre fournisseur de gaz, appelez les pompiers.
- L'installation et l'entretien doivent être faits par un technicien qualifié ou une agence d'entretien.

INSTRUCTIONS IMPORTANTES DE SÉCURITÉ

▲ AVERTISSEMENT: Lorsque vous utilisez des appareils au gaz, des instructions de sécurité de base devraient être respectées, incluant les suivantes.

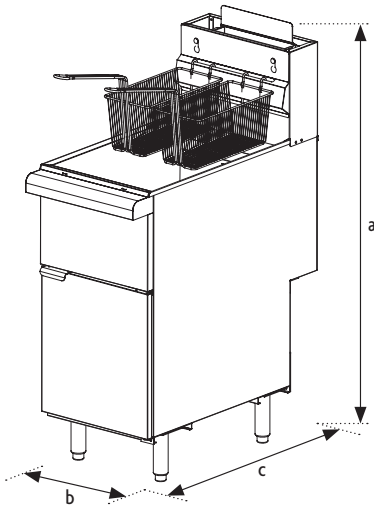
1. Lisez toutes les instructions avant d'utiliser l'appareil.
2. L'appareil devait être installé selon les codes:
 - Des États-Unis :
La réglementation locale ou d'État ou, en l'absence de réglementation locale :
Réglementation nationale de gaz, ANSI-Z223.1/NFPA #54 (dernière édition, ÉU).
Une copie peut être obtenue à l'American Gas Association Accredited Standards Committee
Z223, @ 400 N. Capital St. NW, Washington, DC 20001 or the Secretary Standards Council, NFPA, 1
Batterymarch Park, Quincy, MA 02169-7471.
Le standard #96 NFPA enlèvement des vapeurs de l'équipement de cuisson, la dernière édition,
disponible à la National Fire Protection Association, Batterymarch Park, Quincy, MA.
 - Au Canada :
Réglementations locales :
CAN/CSA-B149.1 Installation de gaz naturel (dernière édition).
CAN/CSA-B149.2 Réglementation d'installation de propane (dernière édition), disponible à
l'association canadienne du gaz 178 Rexdale Blvd., Etobicoke, Ontario Canada M9W 1R3.
3. **▲ AVERTISSEMENT:** Si vous sentez du gaz, éloignez-vous du feu. NE PAS allumer l'appareil ou toucher les boutons électriques. NE PAS utiliser de téléphone dans l'immeuble. Fermez la valve principale immédiatement et appelez un technicien d'entretien pour vérifier votre appareil.
4. **▲ ATTENTION:** Des températures élevées peuvent occasionner des brûlures. NE PAS toucher directement la surface avec les mains à cause de la température élevée pendant ou après l'utilisation.
5. L'installation et l'entretien devraient être faits par un professionnel certifié. Une mauvaise installation pourrait occasionner des dommages matériels et physiques importants qui pourraient annuler la garantie.
6. Toute modification faite par le client, une mauvaise installation, un mauvais ajustement ou entretien peut occasionner des dommages corporels et physiques. Veuillez contacter votre fabricant ou technicien d'entretien pour des ajustements ou de l'entretien et faites faire le travail par du personnel qualifié.
7. NE PAS démonter ou modifier l'appareil. Toute modification peut occasionner des dommages et annuler la garantie.
8. Enlevez le matériel d'emballage et inspectez la friteuse pour des dommages. Si vous avez des problèmes ou s'il y a des problèmes, faites un appel de service et NE PAS utiliser l'appareil. Gardez le matériel d'emballage hors de portée des enfants.
9. L'appareil ne devrait être utilisé qu'avec des valves de régulation de gaz à basse pression. Utiliser d'autres valves de régulation peut occasionner des pertes ou des blessures.
10. NE PAS placer l'appareil près d'un liquide, un gaz ou un objet inflammable ou explosif.
11. Si l'appareil est près d'un mur, d'une partition, d'un appareil de cuisine, etc., assurez-vous qu'ils sont faits de matériaux ininflammables et suivez tous les règlements antifeu.
12. Cet appareil devrait être installé dans un endroit bien aéré avec des appareils d'échappement pour vous assurer que les gaz produits sont adéquatement aérés.
13. Cet appareil ne devrait pas être utilisé par une personne incapable de suivre des procédures de sécurité ou sans expérience avec ce type d'équipement, à moins d'être supervisé.
14. Gardez les enfants loin de cet appareil.

15. Mal utiliser l'appareil ou un mauvais entretien peut occasionner des fuites de gaz ou des déflagrations. Le fabricant n'est pas responsable des deux ou des accidents occasionnés par une mauvaise utilisation ou entretien.
16. NE PAS placer d'objets ou de matériels inflammables sur ou près des brûleurs.
17. Lors de la première utilisation, il est possible que l'allumage soit plus long à cause de l'air qui sort du conduit. Si la veilleuse ne peut s'allumer, coupez l'alimentation en gaz pendant 3-5 minutes pour éviter une déflagration.
18. Fermez TOUJOURS l'alimentation lorsque vous ne l'utilisez pas.
19. Cet appareil est uniquement pour une utilisation commerciale.
20. Ce produit est une machine commerciale qui doit être utilisée par des chefs entraînés et n'est pas conçue pour une utilisation domestique.
21. NE PAS placer d'objets lourds sur l'appareil. Une utilisation anormale peut occasionner des dommages.
22. NE PAS mettre d'objets dans le conduit d'évacuation. Ce qui pourrait boucher l'échappement de gaz et occasionner des dommages.
23. NE PAS endommager le panneau de contrôle avec des objets durs ou coupants.
24. NE PAS asperger d'eau l'appareil. Nettoyez la surface en acier inoxydable régulièrement pour éviter les dommages causés par la rouille et les réactions chimiques.
25. Conservez ce manuel. Lorsque vous léguez/vendez cet appareil à une autre partie, ce manuel devrait accompagner l'appareil. Tous les utilisateurs doivent utiliser l'appareil selon le manuel de l'utilisateur et les directives de sécurité associées.
26. Le fabricant n'est pas responsable des deux ou des accidents occasionnés par une mauvaise utilisation ou entretien.

**LISEZ ET RESPECTEZ CES INFORMATIONS
DE SÉCURITÉ ATTENTIVEMENT ET
CONSERVEZ CES INSTRUCTIONS**

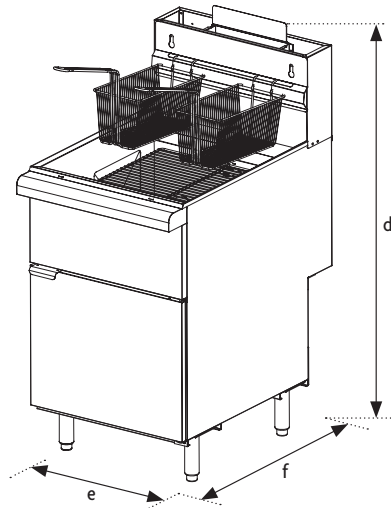
SPÉCIFICATIONS

Figure 1



▲ Modèle MCCGF40 & MCCGF50

a. 47.1" (1196 mm)
b. 15.5" (394 mm)



▲ Modèle MCCGF70

c. 30.28" (769 mm)
d. 47.1" (1196 mm)
e. 21.0" (533 mm)
f. 30.28" (769 mm)

| Modèle | Taille de l'orifice | | Dimensions (H x L x l) | Poids net | BTU/Heure. | Nombre de tubes chauffants |
|-----------|---------------------|-------------|--|-------------------------|------------|----------------------------------|
| | | | | | | |
| MCCGF40 | PN | #39 (2.5mm) | 47.1" x 15.5" x 30.3" 1196 x 394 x 770 (mm) | 136.7 lbs. (62.0 kg) | 90000 | 3 |
| MCCGF40-P | Propane | #52 (1.6mm) | | | | |
| MCCGF50 | PN | #39 (2.5mm) | 47.1" x 15.5" x 30.3" 1196 x 394 x 770 (mm) | 147.7 lbs. (67.0 kg) | 120000 | 4 |
| MCCGF50-P | Propane | #52 (1.6mm) | | | | |
| MCCGF70 | PN | #39 (2.5mm) | 47.1" x 21.0" x 30.3" 1196 x 533 x 770 (mm) | 176.4 lbs. (80.0 kg) | 150000 | 5 |
| MCCGF70-P | Propane | #52 (1.6mm) | | | | |

INSTRUCTIONS D'INSTALLATION

TRANSPORTATION ET ENTREPOSAGE

Pendant le transport, l'équipement de cuisson devrait être manipulé avec soin. NE PAS placer à l'envers. L'équipement devrait être entreposé dans un entrepôt bien aéré sans gaz corrosifs. S'il doit être entreposé temporairement à l'extérieur, assurez-vous qu'il n'entre pas en contact avec la pluie.

DÉSEMBALLAGE

Cette friteuse a été soigneusement inspectée avant de quitter l'usine. Après l'acceptation de la livraison, la compagnie de transport assume l'entière responsabilité de la livraison. Immédiatement après avoir déballé la friteuse, vérifiez s'il y a des dommages de transport. Si la friteuse est endommagée, conservez le matériel d'emballage et contactez le transporteur dans les 15 jours suivant la livraison.

Vérifiez que les éléments suivants sont présents:

- Grille à miettes
- Support à panier
- Pattes ajustables (4)
- Extension de conduit de vidange
- Paniers à frire (2)
- Manuel et garantie

NE PAS utiliser la porte ou la poignée pour soulever.

NOTE D'INSTALLATION

Avant l'installation, assurez-vous que le type de gaz (naturel ou propane) concorde avec les spécifications sur la plaque d'information située à l'arrière de l'appareil. Assurez-vous que l'appareil est configuré pour la bonne élévation.

Écrivez votre modèle et numéro de série dans l'espace ci-dessous pour référence future. Ces informations se retrouvent sur la plaque informative.

Modèle: _____ No. de série: _____

1. L'installation devrait être faite par un technicien certifié.
2. Avant l'installation, enlevez la pellicule de plastique si présente et essuyez les résidus sur l'acier inoxydable avec un linge et de l'eau chaude. Assurez-vous de rincer avec de l'eau propre et une serviette.
3. Le branchement à l'appareil devrait être conforme aux exigences de sécurité, d'installation et d'utilisation de gaz.
4. L'installation depuis le tuyau de sortie du débitmètre à gaz ou du régulateur de service jusqu'au tuyau à gaz de l'appareil devrait être faite par des techniciens formés. Ils devraient d'abord tester l'équipement de cuisson et faire des ajustements.
5. Vérifiez le type de gaz et la pression pour vous assurez qu'elle est conforme à celle inscrite sur la plaque signalétique. Si une pression ou un type de gaz erroné est branché, NE PAS utiliser, car la performance pourrait être utilisée et il pourrait y avoir un danger. La pression du gaz devrait être de 0.144 PSI - 0.147 PSI (4" W.C./1.016 kPa) pour le gaz naturel et 0.36 PSI - 0.37 PSI (10" W.C./2.54kPa) pour le propane. Si la pression du gaz excède 0.5 PSI (3.5 kPa) un régulateur supplémentaire de pression doit être installé.

6. Selon les exigences locales et une forte recommandation du fabricant, une valve de fermeture peut être nécessaire entre le conduit d'alimentation et le régulateur de pression. Le professionnel d'installation de gaz devrait connaître les exigences par rapport à l'installation d'une valve de fermeture.
7. Enduisez les joints de conduits avec un scellant à conduit pour conduites de gaz. Le scellant devrait être conçu et résistant à l'action du gaz.
8. Après avoir branché l'appareil au système de gaz, cherchez la présence de fuites aux joints et aux raccords ; pour ce faire, utilisez une solution savonneuse ou un détecteur de fuite (vaporisateur). NE PAS utiliser une flamme vive.
9. Lors de la première utilisation, l'allumage peut être plus long à cause de l'air qui sort de la tuyauterie. S'il ne s'allume pas, fermez-le pendant 3 min pour permettre au gaz de s'échapper avant d'essayer de nouveau pour éviter une explosion.
10. Cet appareil devrait être installé sur une surface stable, de niveau et ininflammable (p.e : du ciment, des tuiles de céramique, terrazzo ou une surface métallique). Vérifiez toutes les réglementations locales. Assurez-vous de laisser un espace pour une ventilation adéquate.
11. Cet appareil ne devrait être utilisé que lorsque les pieds sont installés correctement et que l'appareil est stable et au niveau.
12. Cet appareil devrait être utilisé dans un endroit ininflammable.
13. Cet appareil devrait avoir un espace de 6" (15 cm) de chaque côté et à l'arrière et un minimum de 16" (41cm) entre les friteuses et une flamme.
14. L'installation devrait permettre une bonne aération pour la combustion et ne devrait pas bloquer la ventilation ou l'échappement. RESPECTEZ TOUJOURS tous les règlements sur la ventilation et l'échappement.
15. Assurez-vous que l'échappement n'interfère pas avec l'entrée d'air de l'appareil.
16. Après l'installation, mettez l'appareil à niveau et maintenez-le stable. NE PAS déplacer ou pencher l'appareil pendant son utilisation.

▲ REMARQUE: NE PAS bloquer ou interférer avec la ventilation nécessaire pendant l'utilisation normale de l'appareil.

▲ REMARQUE: La friteuse doit être fixée ou installée de manière à empêcher le basculement ou l'éclaboussement de liquide chaud. Les manières de le fixer peuvent être incluses dans l'installation, comme en la fixant à d'autres appareils, en l'installant dans une alcôve ou en utilisant d'autres moyens comme des attaches adéquates.

EMPLACEMENT

- Installez la friteuse dans un endroit suffisamment aéré pour la combustion du gaz des brûleurs de la friteuse.
- NE PAS obstruer le flux d'air de combustion et de ventilation.
- Fournir un espace adéquat pour les trappes d'aération dans la chambre de combustion.
- NE PAS permettre aux ventilateurs de souffler directement dans la friteuse.
- Évitez les ventilateurs muraux qui créent des contrecourants dans la pièce.
- Évitez les fenêtres ouvertes sur les côtés ou à l'arrière.

BRANCHEMENT À LA CHEMINÉE

- Placez la friteuse sous une hotte avec un branchement adéquate à un conduit d'échappement. La hotte doit plus large de 6" (15 cm) de chaque côté de la friteuse.

- L'espace au-dessus de la friteuse devrait être assez haut pour permettre l'évacuation efficace du gaz et des vapeurs de graisse.
- Un espace minimal de 18" (46 cm) devrait être maintenu entre la cheminée d'échappement et les filtres de la hotte du système de ventilation.
- Ne jamais brancher directement la cheminée à la friteuse.
- NE PAS obstruer le flux de gaz dans l'appareil.
- Un équilibre d'air adéquat devrait être maintenu dans la pièce.

TESTER LE SYSTÈME DE TUYAUTERIE DE L'ALIMENTATION EN GAZ

- Lorsque le test de pression excède 0.5 PSI (3.5 kPa) la friteuse et sa valve d'alimentation doivent être débranchées du conduit d'alimentation.
- Lorsque le test de pression est de 0.5 PSI (3.5 kPa) ou moins, la friteuse et son conduit d'alimentation doivent être isolés en fermant sa valve d'alimentation personnelle.

METTRE LA FRITEUSE À NIVEAU

- Vérifiez le niveau de la friteuse de l'arrière vers l'avant et de côté à côté après le branchement au système d'alimentation en plaçant un niveau à bulle sur la friteuse. Ajustez les pattes d'ajustement au besoin pour mettre la friteuse à niveau.
- Après l'avoir nivellé dans sa position finale, vérifiez de nouveau le niveau de l'appareil en utilisant le niveau à bulle.

INSTRUCTIONS D'UTILISATION

▲ **AVERTISSEMENT:** L'huile chaude et les pièces peuvent occasionner des brûlures. Faites attention en utilisant, nettoyant et lors de l'entretien de la friteuse.

▲ **AVERTISSEMENT:** Renverser de l'huile chaude peut occasionner des brûlures sévères. NE PAS déplacer la friteuse avant d'avoir enlevé l'huile du réservoir.

NETTOYER AVANT L'UTILISATION

Les nouveaux appareils sont nettoyés en usine pour enlever tous les signes visibles de saletés, huiles et graisses, etc. restantes du processus de fabrication.

Avant toute préparation d'aliment, nettoyez complètement l'huile protectrice de la surface de toutes les pièces et de l'intérieur du réservoir avec de l'eau savonneuse pour enlever les résidus de pellicules, de poussière ou de débris.

▲ **REMARQUE:** NE PAS utiliser de nettoyeurs au chlore ou sulfate/sulfite.

▲ **REMARQUE:** Lavez tous les accessoires livrés avec l'appareil.

▲ **REMARQUE:** Lavez complètement la friteuse et les accessoires et videz la friteuse.

▲ **REMARQUE:** Séchez complètement le réservoir avec un linge doux et propre.

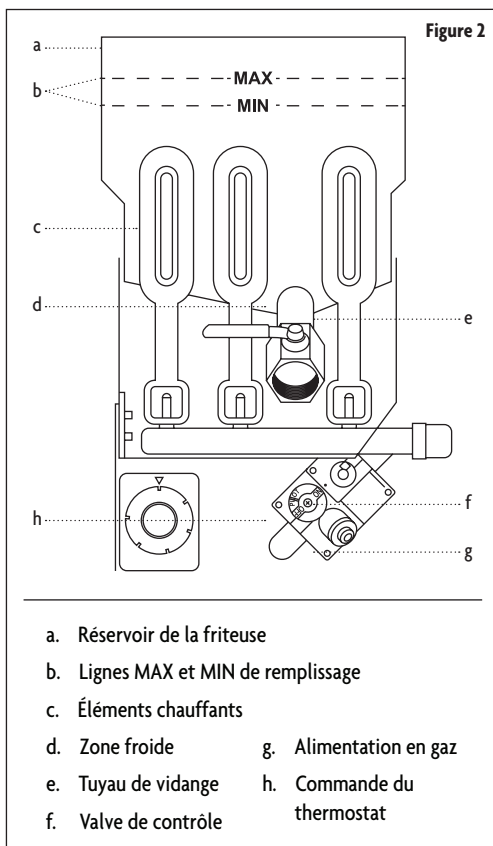
REMPLIR LE RÉSERVOIR D'HUILE

▲ **REMARQUE:** Des matières grasses solides NE DEVRAIENT PAS être utilisées dans cette friteuse. Les matières grasses fondantes endommageront le réservoir et annuleront la garantie.

1. Fermez la valve de drainage.
2. Remplissez le réservoir de la friteuse avec des matières grasses liquides jusqu'à ce que le réservoir se remplisse entre les lignes MIN et MAX. L'huile prend de l'expansion lorsqu'elle est chauffée. NE PAS remplir au-dessus de la ligne MAX.
3. Ajoutez de l'huile fraîche au besoin pour maintenir le niveau au-dessus de la ligne MIN.

ARRÊT AUTOMATIQUE À TEMPÉRATURE ÉLEVÉE

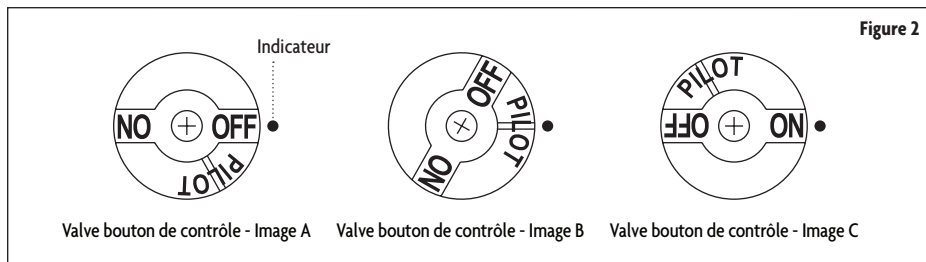
- Si l'huile surchauffe, un système d'arrêt automatique à température élevée fermera la valve d'alimentation et éteindra la veilleuse.
- Si la friteuse s'éteint à cause d'une surchauffe, NE PAS essayer d'allumer la veilleuse jusqu'à ce que la température de l'huile soit en-dessous de 300° F (149° C).



- Si la surchauffe persiste, contactez le fabricant ou un technicien d'entretien autorisé.

ALLUMEZ LA VEILLEUSE

1. Ouvrez la porte.
2. Placez le thermostat situé derrière la porte en position OFF.
3. Tournez la valve bouton de contrôle et position OFF. (Voir figure ci-dessous, image A) Attendez 5 minutes pour que le gaz se disperse.
4. Tournez la valve bouton de contrôle au «L» dans PILOT (voir figure ci-dessous, image B).
5. En tenant le bouton en place, allumez la veilleuse. Appuyez sur le bouton en place pendant trente secondes à une minute jusqu'à ce que la veilleuse demeure allumée lorsque le bouton est relâché. Si la veilleuse ne demeure pas allumée, répétez les étapes 3 à 5.
6. Appuyez et tournez la valve bouton de commande du gaz à ON (voir figure ci-dessous, image C).
7. Si l'alimentation en gaz est interrompue, répétez les étapes 2 à 6.



▲ REMARQUE: Il peut y avoir un peu de fumée lors de la première utilisation résultant de la combustion du revêtement antirouille. C'est normal. Veuillez laisser brûler pendant au moins 15 minutes avant de l'utiliser la première fois.

ALLUMER LA FRITEUSE

Placez le thermostat à la température désirée. Lorsque la température est atteinte, le thermostat coupe l'alimentation en gaz des brûleurs. La veilleuse demeure allumée et les brûleurs s'allument et s'éteignent au besoin pour maintenir la température.

FERMER LA FRITEUSE

Placez le thermostat à OFF. Pour maintenant la veilleuse, tournez la valve au «L» de PILOT. Pour couper complètement l'alimentation en gaz, placez la valve bouton à la position OFF.

FERMETURE DE LONGUE DURÉE

1. Placez le thermostat à OFF.
2. Poussez sur la valve du bouton en position OFF.
3. Videz complètement la friteuse. Référez-vous à VIDER LA FRITEUSE.
4. Nettoyez la friteuse selon la section NETTOYAGE.
5. Coupez l'alimentation de la valve principale d'alimentation.

INSTRUCTIONS DE BASE SUR LA FRITURE

1. Choisissez la température voulue et laissez l'huile se réchauffer.
2. Faites frire des objets de la même taille pour assurer une cuisson uniforme.
3. Égouttez ou essuyez des aliments crus ou mouillés pour minimiser les éclaboussures lorsque vous les placez dans l'huile chaude.
4. Ajoutez de l'huile fraîche au besoin.

DIRECTIVES POUR LES PANIERS À FRIRE

- NE PAS trop remplir les paniers (voir tableau ci-dessous pour leur capacité)
- Placez délicatement les paniers dans l'huile.
- Retournez les aliments une seule fois pendant la friture.
- Lorsque vous cuisez des frites ou des rondelles d'ognon, etc., brassez le panier (doucement pour éviter les éclaboussures) pour que les aliments ne se collent pas pendant la cuisson.
- Les aliments panés devraient être placés doucement dans le panier, un par un dans le panier ou dans l'huile.
- Si vous utilisez le panier, trempez le d'abord dans l'huile chaude pour éviter que la panure s'accumule sur les surfaces du panier.
- Lorsque la cuisson est complète, retirez le panier ou les aliments de l'huile. Accrochez le panier sur le support arrière.

CAPACITÉ DU PANIER À FRIRE

| Modèle | MCCGF40 | MCCGF50 | MCCGF70 |
|----------------------------|-------------------|-------------------|-------------------|
| Capacité du panier à frire | 1.5 lbs. (0.7 kg) | 1.5 lbs. (0.7 kg) | 3.0 lbs. (1.4 kg) |

ÉTENDRE LA VIE DE L'HUILE

- NE PAS saler les aliments au-dessus de l'huile de la friteuse.
- Utilisez une huile à frire de bonne qualité.
- Filtrez l'huile au moins une fois par jour.
- Remplacez l'huile si les aliments changent de goût.
- Assurez-vous que l'équipement et les environs sont propres.
- Assurez-vous que le thermostat est à la bonne température.
- Enlevez l'humidité et les particules étrangères des aliments avant de les placer dans la friteuse.

VIDER LE RÉSERVOIR

1. Placez le thermostat à OFF.
2. Laissez la veilleuse allumée, placez la valve bouton à PILOT.
3. Alignez le bec verseur vers le contenant dans lequel vous voulez vider l'huile.
4. Ouvrez la valve de vidange. L'huile se videra dans le contenant. Lorsque le contenant est plein et que le réservoir de la friteuse est vide, fermez la valve. Répétez cette étape jusqu'à ce que la friteuse soit vide.
5. Si vous le voulez, faites le nettoyage hebdomadaire décrit dans la section NETTOYAGE.

6. Lorsque le réservoir est complètement vide, ajoutez de la nouvelle huile et réglez le thermostat à la température voulue.

FILTRAGE QUOTIDIEN

▲ AVERTISSEMENT: L'huile chaude et les pièces peuvent occasionner des brûlures. Faites attention en utilisant, nettoyant et lors de l'entretien de la friteuse.

- Filtrez l'huile au moins une fois par jour. Référez-vous aux instructions fournies avec l'équipement de filtration.
- Une friteuse froide ne se videra pas ; filtrez TOUJOURS l'huile lorsqu'elle est entre 250° F et 350° F (121° C and 177° C).
- L'huile dans la zone froide sera dure si elle n'est chauffée que quelques minutes. Si nécessaire, utilisez une baguette de nettoyage pour déplacer l'huile au-dessus de la zone froide pour qu'elle fonde.
- Utilisez une brosse de réservoir pour enlever les débris sur les côtés et les tubes.

SOIN ET ENTRETIEN

NETTOYAGE

▲ AVERTISSEMENT: L'huile chaude et les pièces peuvent occasionner des brûlures. Faites attention en utilisant, nettoyant et lors de l'entretien de la friteuse.

▲ AVERTISSEMENT: L'huile chaude et les pièces peuvent occasionner des brûlures sévères. TOUJOURS la friteuse de son huile avant de déplacer la friteuse.

▲ REMARQUE: NE PAS utiliser de nettoyants au chlore ou sulfate/sulfite.

- Lavez l'intérieur de la friteuse quotidiennement avec la brosse à réservoir et un linge humide et polissez-le avec un linge doux sec. Si l'entretien régulier est négligé, la graisse brûlera et une décoloration peut apparaître.
- Pour minimiser les empreintes digitales sur l'acier inoxydable, utilisez un nettoyant qui laisse une légère pellicule de cire ou d'huile.
- Assurez-vous que l'extérieur de la friteuse est propre et sans accumulation de graisse pour éviter que des tâches ne se forment. Si l'entretien régulier est négligé, la graisse brûlera et une décoloration peut apparaître.
- Lavez toutes les surfaces extérieures de la friteuse quotidiennement.
- Utilisez un linge humide avec de l'eau chaude et un savon ou détergent doux. Rincez complètement avant de polir avec un linge doux sec.
- Enlevez les tâches en lavant avec de l'eau et du savon. Utilisez un tampon à récurer auto savonnant, non métallique, pour les tâches particulièrement tenaces.
- TOUJOURS frotter dans le sens du fini en acier inoxydable.
- NE PAS utiliser de tampon à récurer en métal ou d'autres nettoyants agressifs.

PROCÉDURE DE DÉGRAISSAGE

1. Vider le réservoir tel que décrit dans VIDER LE RÉSERVOIR.
2. Lorsque l'huile est vidée, enlevez les morceaux et les sédiments avec une petite quantité d'huile chaude et la brosse à réservoir. Laissez le réservoir se vider complètement.
3. Fermez la valve de drainage et remplissez le réservoir d'un dégraissant commercial non corrosif. Suivez les instructions du fabricant.
4. Ajoutez la solution commerciale dégraissante. La solution doit être versée entre les niveaux MAX et MIN du réservoir de la friteuse.

▲ REMARQUE: NE PAS utiliser de nettoyants au chlore ou sulfate/sulfite.

5. Réglez le thermostat à la température recommandée pour la solution utilisée. Laissez la solution mijoter pendant 15-20 minutes.
6. Videz le réservoir de la solution nettoyante.
7. Fermez la valve de drainage et remplissez le réservoir d'eau. Ajoutez 1 tasse (1/4 L) de vinaigre pour neutraliser l'alcalinité laissée par le nettoyant. La solution doit être versée entre les niveaux MAX et MIN du réservoir de la friteuse.
8. Faites mijoter la solution uniquement, fermez le thermostat. Laissez reposer pendant quelques minutes.

9. Videz le réservoir selon la section VIDER LE RÉSERVOIR. Rincez complètement avec de l'eau chaude propre. Toutes traces du nettoyant doivent être enlevées. Séchez complètement le réservoir.
10. Fermez la valve de drainage et ajoutez de l'huile. Suivez la procédure pour REMPLIR LE RÉSERVOIR D'HUILE de ce manuel.

INSPECTION DE LA CHEMINÉE D'ÉVACUATION

Faites une inspection de la cheminée d'évacuation une fois par année. Laissez la friteuse se refroidir avant de faire l'inspection. Assurez-vous que la cheminée n'est pas obstruée ; nettoyez si nécessaire.

DÉPANNAGE

Les problèmes mentionnés le sont à titre de référence. Si une défaillance apparaît veuillez arrêter l'utilisation et contactez un technicien pour le vérifier et le réparer. Assurez-vous de TOUJOURS couper l'alimentation en gaz avant d'en faire l'entretien.

| Problème | Causes probables |
|-----------------------------------|---|
| Pas de chaleur | Le thermostat est en position OFF La veilleuse n'est pas allumée L'alimentation en gaz est fermée Mauvais branchements de fils (appelez un réparateur) Branchements des fils doit être nettoyée (appelez un réparateur) Thermopile (appelez un réparateur) |
| Chaleur trop élevée ou trop basse | Thermostat n'est pas à la bonne température Limiteur de température défectueux (appelez un réparateur) Sonde thermique (appelez un réparateur) |
| Le réservoir ne se vide pas | L'huile est trop froide Le conduit de vidange est bloqué |



GARANTIE LIMITÉE

MC Appliance Corporation garantit que tous les nouveaux Friteuse commerciale au gaz ne présentent aucun défaut matériel ou de main-d'oeuvre et accepte de remédier à ces défauts ou de fournir des nouvelles pièce(s), à la discrétion de la compagnie, pour toute pièce(s) de l'appareil qui fait défaut durant la période de garantie. Les pièces et la main-d'oeuvre de cet appareil sont garanties pendant une période d'un an depuis la date d'achat. Une copie avec la date du reçu de vente ou de la facture est nécessaire pour recevoir un remplacement, un remboursement ou la réparation sous garantie.

Dans l'éventualité qu'un appareil nécessite un remplacement ou un remboursement selon les termes de la garantie, le consommateur est responsable de toutes les dépenses de manutention liées au renvoi de l'appareil à l'usine avant de recevoir son appareil de remplacement ou son remboursement.

Cette garantie s'applique aux appareils utilisés aux États-Unis contigus. Cette garantie ne s'applique pas aux cas suivants:

- Les dommages causés par la manutention ou une mauvaise installation.
- Les dommages dus à une mauvaise utilisation ou une utilisation abusive.
- La perte de contenu dû à une défaillance de l'appareil.
- Les composants intérieures comme les panneaux de portes, les étagères de portes, les étagères, les ampoules, etc.
- Les réparations faites par un agent non autorisé.
- Les appels de services qui ne concernent pas les défauts de matériel ou de main-d'oeuvre comme des instructions sur l'installation appropriée de ce produit ou sa mauvaise installation.
- Le remplacement ou le réarmage d'un disjoncteur ou de fusibles.
- La défaillance du produit s'il est utilisé pour d'autres raisons que sa raison de conception.
- Les couts de récupération de tout appareil défectueux qui n'est pas renvoyé à l'usine.
- Tous les couts d'installation/de livraison encourus par un appareil qui ne fonctionne pas selon les spécifications.
- Les dépenses de transport ou manutention pour la réparation si votre produit est situé dans une zone éloignée où les services d'un technicien autorisé ne sont pas disponibles.
- Enlever ou réinstaller votre appareil s'il est installé dans un endroit inaccessible ou s'il n'est pas installé selon les instructions d'installation publiées.
- Les remboursements pour les produits non réparables se limitent au prix payé pour l'appareil sur le reçu de vente.
- Cette garantie n'est pas transférable. Cette garantie ne s'applique qu'à propriétaire original et ne s'étend pas au propriétaire(s) subséquent(s).

LIMITES DES RECOURS ET EXCLUSIONS

La réparation du produit selon les termes ci-inclus est votre seul recours durant la garantie limitée. Toutes garanties implicites incluant la qualité marchande et la bonne condition pour une utilisation particulière sont, par la présente, limitées à un an ou la plus courte période permise par la loi. MC Appliance Corporation n'est pas responsable des dommages accidentaux ou consécutifs et aucun représentant ou personne n'est autorisé à assumer en notre nom toute autre responsabilité en lien avec la vente de ce produit. En aucun cas le consommateur n'est-il autorisé à retourner cet appareil à l'usine sans autorisation préalable de MC Appliance Corporation.

Certains États interdisent les exclusions ou limites sur les dommages accidentaux ou consécutifs ou les limites sur les garanties implicites. Cette garantie vous donne des droits légaux spécifiques et vous pourriez avoir d'autres droits qui peuvent varier d'un État à l'autre.

| Modèle | Pièces et main-d'oeuvre | Type de service |
|---------------------|-------------------------|------------------|
| MCCGF40 / MCCGF40-P | Un an | Service sur site |
| MCCGF50 / MCCGF50-P | Un an | Service sur site |
| MCCGF70 / MCCGF70-P | Un an | Service sur site |

Pour de l'aide ou du service, veuillez appelez 1-866-789-0202 ou visitez notre site web au www.mcappliance.com pour demander une réparation sous garantie ou commander des pièces.



**CNA International inc. d/b/a MC Appliance Corporation. Tout droits réservés.
Magic Chef® est une marque enregistrée de CNA International inc.**

www.mcappliance.com

Imprimé en Chine