

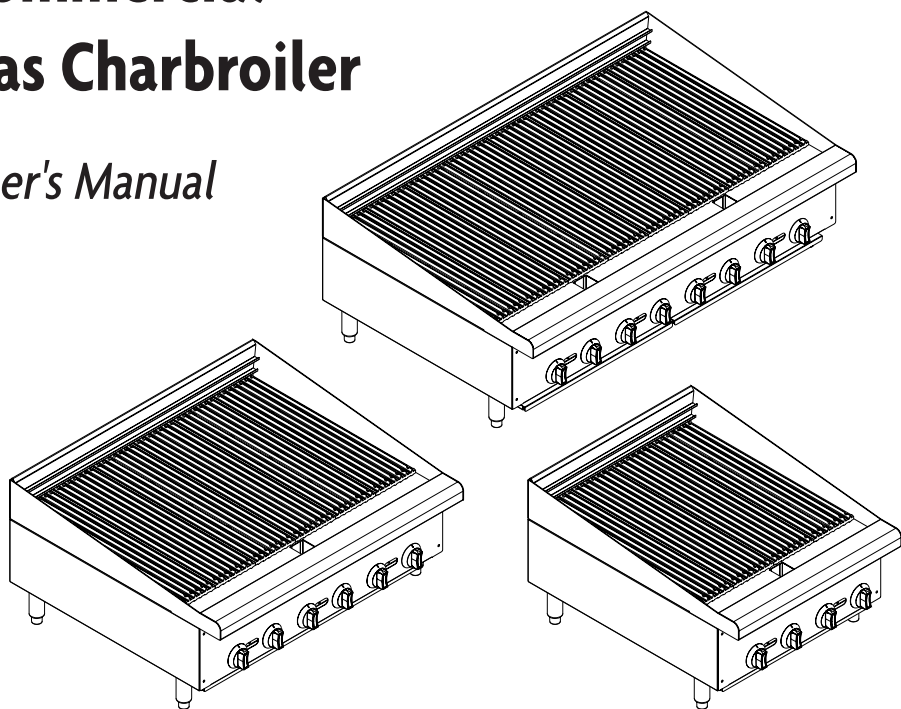


Magic Chef®

C O M M E R C I A L

Commercial Gas Charbroiler

User's Manual



Model MCCCB24 / MCCCB24-P / MCCCB36 / MCCCB36-P / MCCCB48 / MCCCB48-P

PLEASE READ THIS MANUAL CAREFULLY BEFORE USING YOUR COMMERCIAL GAS CHARBROILER AND KEEP IT FOR FUTURE REFERENCE.



PRODUCT REGISTRATION

Thank you for purchasing a Magic Chef Commercial product. The first step to protect your new product is to complete the product registration on our website: www.mcappliance.com/register. The benefits of registering your product include the following:

1. Registering your product will allow us to contact you regarding a safety notification or product update.
2. Registering your product will allow for more efficient warranty service processing when warranty service is required.
3. Registering your product could act as your proof of purchase in the event of insurance loss.

Once again, thank you for purchasing a Magic Chef Commercial product.

CONTENTS

PRODUCT REGISTRATION	2
PRECAUTIONS	4
IMPORTANT SAFETY INSTRUCTIONS	5
SPECIFICATIONS.....	7
INSTALLATION INSTRUCTIONS	8
OPERATING INSTRUCTIONS.....	10
CARE AND MAINTENANCE.....	12
TROUBLESHOOTING.....	13
LIMITED WARRANTY	14

PRECAUTIONS

EXPLANATION OF SYMBOLS

▲ WARNING

Hazards or unsafe practices which COULD result in severe personal injury or death.

▲ CAUTION

Hazards or unsafe practices which COULD result in minor personal injury or property damage.

▲ WARNING: Read and understand all safety precautions. Failure to follow all instructions described in this user manual may result in electric shock, fire and/or serious personal injury. The warnings, cautions and instructions discussed in this user manual cannot cover all possible conditions and situations that may occur.

▲ WARNING: If information in this manual is not followed exactly, a fire or explosion may result causing property damage, personal injury or death. DO NOT store or use gasoline or other flammable vapors and liquids in the vicinity of this or any other appliance.

▲ WARNING: Gas Leak

- Gas leaks cannot always be detected by smell.
- Gas suppliers recommend that you use a gas detector approved by UL or CSA.
- For more information, contact your gas supplier.
- If a gas leak is detected, follow the “What to Do If You Smell Gas” section below.

▲ WARNING: What to Do If You Smell Gas

- DO NOT try to turn on any appliance.
- DO NOT touch any electrical switch.
- DO NOT use any phones in the building.
- Immediately call your gas supplier from a phone outside of the building. (Ex: Go to a neighbor’s to call your gas supplier or fire department.)
- If the gas supplier cannot be reached, call the fire department.
- Installation and service must be performed by a qualified installer or service agency.

IMPORTANT SAFETY INSTRUCTIONS

▲ WARNING: When using gas appliances, basic safety precautions should be followed, including the following:

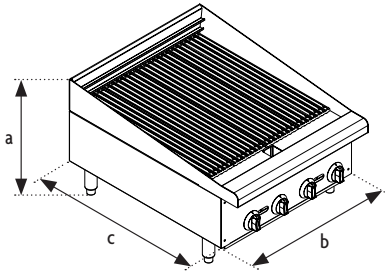
1. Read all instructions before using the appliance.
2. Any self-modification, improper installation, adjustment or maintenance can lead to property loss or casualty. Please contact the manufacturer for any adjustment or maintenance, and have the work done by a trained & qualified person.
3. The charbroiler should be used in accordance with ANSI Z223.1/NFPA 54 (latest edition) of the National Fuel Gas Code, the National Gas Installation Code, CSA/B149.1 or the Propane Installation code, CSA/B149.1, as applicable. Copies may be obtained from the American Gas Association, 1515 Wilson Blvd, Arlington, VA 22209.
4. Installation and maintenance should only be performed by certified professionals. Improper installation could result in serious harm or death and may void your warranty.
5. DO NOT place the charbroiler by any liquid, gas or other object that is flammable or explosive.
6. This appliance should not be operated by those who have physiological, perceptual or mental disabilities or those who have insufficient experience or knowledge (including children). Only in conditions of being given sufficient supervise & guarantee of personal safety, as well as proper instructions & guidance, those who were mentioned above can make some particular operation of this device.
7. Keep children away from the device.
8. Preserve this manual safely. When passing on/selling the device to a third party, the manuals must be handed over along with the device. All users must operate the device complying with the user's manual and related safety guidelines.
9. If the appliance is placed near walls, partitions or kitchen furniture and the like, it is advisable to make these facilities with non-combustible material, otherwise cover them with non-combustible heat-resistant material, and pay attention to fire prevention regulations.
10. The appliance should be installed in a well-ventilated area with exhausting facilities, which may ensure that all burnt gases produced during combustion process are completely exhausted.
11. The appliance is only applicable to low-pressure gas regulating valves. It may lead to loss and casualty if you use other regulating valves.
12. DO NOT use the charbroiler if nothing is on the grates.
13. Fire warning: If you smell the gas, please keep away from fire. DO NOT light up any device or touch the electronic switch. DO NOT use any phone in the building either. Close the main gas valve immediately and call professional personnel to maintain it. Operating by the appliance by force or maintaining improperly will lead to large gas leakage or deflagration easily. The manufacturer won't bear any responsibility for fire accidents caused by improper operation or maintenance.
14. Please keep the integrity of the appliance and remove the outer packing. If you have any questions, call the specialist and stop using the appliance. Keep the packing materials away from children. (For the materials are plastic bags, nails etc.)
15. When first using, the duration of ignition may be a little longer due to the air existing in the new pipe. If the ignition cannot be lit up, turn off the ignition switch and turn on it 3 minutes later to prevent from deflagration.
16. To avoid danger, please turn off the device when not in use.
17. This product is a commercial machine that needs to be operated by trained cooks, not applicable for home use.

18. This device is for commercial use only, not applicable for other usage.
19. DO NOT dismantle or self-modify the device. Dismantlement and self-modification may cause casualty and void the warranty.
20. DO NOT put any heavy objects onto the appliance. Abnormal operation may cause damage and danger.
21. DO NOT put any other object in the smoke vent of the heater. That may block the flue gas and cause harm.
22. High temperatures may cause scalding. DO NOT touch the appliance surface with hands directly due to high temperature during or after operation.
23. DO NOT destroy the control panel with hard or sharp objects.
24. DO NOT spray water directly to the appliance. Clean the stainless steel surface regularly to prevent damage caused by surface oxidation and chemical reaction.

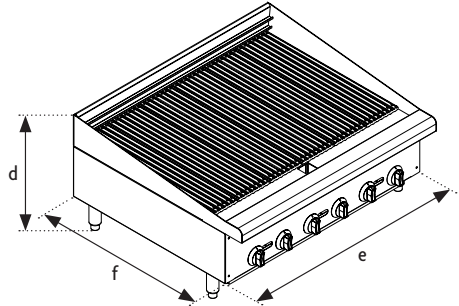
**READ AND FOLLOW THIS
SAFETY INFORMATION CAREFULLY
SAVE THESE INSTRUCTIONS**

SPECIFICATIONS

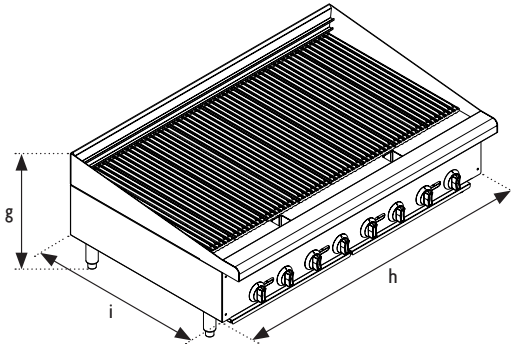
Figure 1



▲ Model MCCC24



▲ Model MCCC36



▲ Model MCCC48

- a. 17" (432 mm)
- b. 24" (610 mm)
- c. 31" (788 mm)
- d. 17" (432 mm)
- e. 36" (910 mm)
- f. 31" (788 mm)
- g. 17" (432 mm)
- h. 48" (1210 mm)
- i. 31" (788 mm)

Model	Dimensions (H x W x D)	Power (kW / BTU)	Pressure & Gas Consumption			Burners	Net Weight
			LPG 2500Pa	NG 1000Pa	Town Gas 1000Pa		
MCCC24 MCCC24-P	17" x 24" x 31" 432 x 610 x 788 (mm)	23.4 / 80000	1.8 kg	2.1 m ³	4.23 m ³	4	212 lbs. (96 kg)
MCCC36 MCCC36-P	17" x 36" x 31" 432 x 910 x 788 (mm)	35.1 / 120000	2.7 kg	3.15 m ³	6.35 m ³	6	231.5 lbs. (105 kg)
MCCC48 MCCC48-P	17" x 48" x 31" 432 x 1210 x 788 (mm)	46.9 / 160000	3.6 kg	4.2 m ³	8.46 m ³	8	288.8 lbs. (131 kg)

INSTALLATION INSTRUCTIONS

TRANSPORTATION AND STORAGE

During transportation, the cooking equipment should be carefully handled. DO NOT place it upside down. The equipment should be stored in a well ventilated warehouse without corrosive gas. If it needs to be stored outside temporarily, make sure it does not come in contact with rain.

NOTICE FOR INSTALLMENT

1. Installation should be operated by certified technicians.
2. Connection of the device should conform to provisions of gas safety, installation and usage.
3. The device can be used only when four legs are installed correctly.
4. The appliance should have a minimum clearance of 0" (0cm) from non-combustible substance (e.g. walls, windows etc.), and 6" - 8" (15 - 20cm) from combustible materials.
5. This appliance should be installed on a stable, level and non-combustible surface (e.g. cement, ceramic tile, terrazzo and metal surface). Verify the requirements of local regulation. Paving metal or ceramic tile onto combustible material does not conform to requirements of non-combustible surface regulation. Please leave appropriate clearance for the ventilation vent in the cabinet to keep the appliance away from the combustible surface nearby.
6. The mounting position should supply sufficient make-up air during normal combustion and installation should not block the burning airflow and ventilation.
7. If the exhaust fan is used, pay special attention to avoid operations that interfere with the device, e.g. ventilation and air demand of the device.
8. After installation, level the device and keep stable. DO NOT sway or tilt the device during operation.
9. DO NOT use gas that is not applicable to this device as fuel, DO NOT use high-pressure or medium-pressure regulating valves. This device is can only be used with a low-pressure regulating valve.
10. A quick-acting switch-off gas valve should be installed upstream to the device where it is easy to reach before installation.
11. Make sure the supplied gas is the same as the gas that the device allows to use. If not, please stop using.
12. Coat some dedicated pipe sealant for gas pipeline in all the pipe joints. The sealant used should have durability for the gas action.
13. If the pipeline pressure is 10% higher or lower than the rated pressure, please install a pressure regulator to adjust the gas pressure to reach the rated one.
14. Installation from the outlet end of the gas flow meter or service regulator to the gas pipe of the device should be operated by professional technicians and qualified personnel. They should also use the cooking equipment first and adjust it.
15. DO NOT block the ventilation of the device and interfere with the ventilation needed during normal operation of the burners.
16. After connecting the appliance to the gas system, check for leaks at joints and pipe fittings; to do so, use soapy water or a specific leak detector (spray).

INSTALLATION

1. Verify the gas type and pressure, and make sure that they conform to those marked on the rating label. If incorrect gas type/pressure is connected, it may damage the performance of the device and create safety hazards.
2. Before installing the gas pipeline, please install the appliance in an ultimate-use position. Adjust the height of the appliance on all 4 leveling legs using a water level to make sure the device in a level state. After installing the gas pipeline, check the level state of the device again.
3. According to requirement of local standard and strong recommendation of the manufacturer, a gas shut-off valve may be needed between the gas supply pipeline and gas-pressure regulator. Whether the installation of the gas shut-off valve has any requirements in the local standard should be judged by the gas installation personnel.

OPERATING INSTRUCTIONS

Before operation, please read the user's manual carefully. If the appliance has been immersed in water, please stop using and call the technicians to check and repair or replace all the components that are immersed in the water. Dry the wet burners before using. Before using, please make sure that the main burner, pilot light burner and oil receiver are in correct installation.

1. Before igniting the pilot light, ensure there is no gas odor around the device. When first using or after cutting off the gas supply, it may take several minutes to ignite the pilot light due to the air existing in the pipeline or clearance of the inlet pipe.
2. The pilot light should be ignited manually. Remove the grate and rotate all the control knobs to the full open position. The pilot light is near the burner, which can be reached from the top of the burner. Make sure that the gas shut-off valve is on and the air in the pipeline is cleared. After turning on the gas valve, ignite the pilot light with a match or igniter, DO NOT use lighter. Then re-install the grate.
3. After using, please turn off the main gas supply, all burner knobs and the pilot light.
4. The control knobs of this device have a continuous setting range from "ON" to "OFF". Rotate the knob to the "ON" position to ignite the burner until all parts of the burner become lit. Then set the control knob to the desired position. The set value can be adjusted freely at any time.

▲ NOTE: Control knobs of the burners can be operated manually only. DO NOT rotate it with tools. If it cannot be rotated manually, DO NOT rotate or repair it with force. Force or improper maintenance may cause fire or explosion.

5. If you are not going to use the appliance, please turn off the control knobs to save energy. The gas burner can provide a large quantity of heat, therefore, DO NOT keep the appliance on if it is used intermittently.
6. To reduce the amount of grease touching the heat radiant plate, lift the grate slightly. Place the hook at the rear of the grate on the bottom shelf and incline front of the grate.

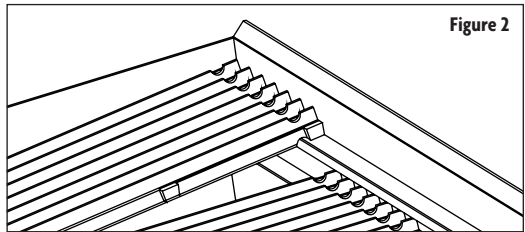


Figure 2

ADJUSTING THE PILOT LIGHT

1. Remove all the control knobs, front panel and grates.
2. Rotate the screw clockwise with a small straight screwdriver to reduce the flame and rotate it counterclockwise to increase the flame.
3. Adjust the height of the pilot light to $\frac{1}{4}$ ". Have an operating test: All parts of the burner should be ignited immediately without any delay. A larger flame may be needed in a well ventilated room to keep the pilot light burning.
4. Before using, install the grate, front panel and all the knobs back.

▲ NOTE: There may be some smoke at the initial startup as the result of rust prevention coatings burning off. This is normal. Please allow at least a 15 minute burn in period before using for the first time.

ADJUSTING THE BURNER FLAME

1. Remove all the control knobs, front panel, grates, and the heat radiant panel.
2. Turn on a single burner and unscrew the lock screw on the baffle.
3. Rotate the baffle to increase or reduce the ventilation volume according to the requirement.
4. Regulate the air baffle to make majority of the flame become blue. Then screw the lock screw tightly.
5. Before using, install the grate, front panel, heat radiant panel and all the knobs back.

DAILY INSPECTION

It is necessary to check the cooking equipment daily to avoid serious accidents. Stop using if user feels that there are some problems in the circuit or machine. Check the condition of the machine before or after using every day. Before using, make sure the cooking equipment isn't tilted and that the control panel is intact. While using, ensure there are no strange smells, light back, flameouts or vibrating noises and that the burner flame is normal.

CARE AND MAINTENANCE

1. Take down the grate from the heat radiant panel to clean:
 - a. Remove the food residue and scraps on the grate surface with a steel brush scraper.
 - b. Clean the grate in water tank or dish washer.
 - c. Dry the grate and coat a thin layer of edible oil on its surface.
2. Take down the oil receiver to clean:
 - a. Clean the food residue that is difficult to remove with a plastic scouring pad.
 - b. Clean the oil receiver in water tank or dish washer.
3. Clean the cabinet of charbroiler:
 - a. Clean all food residues in the cabinet with plastic scouring pad.
 - b. Clean the cabinet with wet soft cloth or sponge containing neutral detergent, then rinse it with soft cloth soaking in clear water and dry it with soft cloth.
4. Reassemble the charbroiler:
 - a. Install the oil receiver back.
 - b. Install the grate back.
5. If one or more single burner cannot be ignited or the flame is intermittent or unstable, then the burner may need cleaning. Turn off the gas shut-off valve and take down all control knobs and front panel, record the position of the burner assembly in the cabinet and take down the heat radiant panel and main burner. Check the burner assembly and record the position of the baffle before cleaning. Clean the food residue on burners with warm water containing neutral detergent and bristle brush. If necessary, unscrew the screw and take down the heat reflector from the burner to clean. Use a plastic scouring pad and neutral detergent to clean it. Before installing the burners back, dry them completely.
6. Clean the burners with soft cloth soaking in clear water and clean the external surfaces, dry them with clean soft cloth. Air-dry all the burners to remove water in the inner channel of the burners.
7. Check the burners and make sure that the air baffle is in correct position. Install the burners back with flame outlet upward. Slide the ventilation/air baffle from the control valve nozzle. Install the front panel, heat radiant panel, grate and control knobs back. Check that whether all the burners can correctly operate.

TROUBLESHOOTING

Problem	Possible Causes	Solutions
The pilot light won't ignite.	The gas is not open.	Check the main/single gas valve.
	There is air in the pipeline.	Open the pilot light valve, ignite it every 15 seconds.
	The pilot light valve is not open.	Open/adjust the pilot light valve.
Burners won't ignite.	The gas is not open.	Check the main/single gas valve.
	There is air in the pipeline.	Open the pilot light valve, ignite it every 15 seconds.
	Pilot light is not ignited.	Close the units with gas to ventilate for 5 minutes. Then open the gas and ignite the pilot light.
Single burner won't ignite.	The controller is not open.	Turn the control valve to the "On" position. Set it according to requirement after ignition.
	There is water in the burner.	Take out the burner and dry it thoroughly.
	The gas control valve, burner or other internal parts are defective.	Call a qualified technician to repair.
Temperature of the burner is not high enough	The baffle or nozzle is incorrectly adjusted.	Contact a qualified technician.
	The gas control valve, burner or other internal parts are defective.	Contact a qualified technician.



LIMITED WARRANTY

MC Appliance Corporation warrants each new Commercial Gas Charbroiler to be free from defects in material and workmanship, and agrees to remedy any such defect or to furnish a new part(s), at the company's option, for any part(s) of the unit that has failed during the warranty period. Parts and labor expenses are covered on this unit for a period of one year from the date of purchase. A copy of the dated sales receipt or invoice is required to receive warranty service, replacement or refund.

In the event the unit requires replacement or refund under the terms of this warranty, the consumer is responsible for all transportation expenses to return the unit to our factory prior to receiving a replacement unit or refund. A copy of the dated sales receipt/invoice is required to receive warranty service, replacement or refund. A refund or replacement will be issued at the discretion of MC Appliance Corporation.

This warranty covers appliances in use within the contiguous United States, Alaska, Hawaii and Puerto Rico. This warranty does not cover the following:

- Damages due to shipping damage or improper installation.
- Damages due to misuse or abuse.
- Content losses due to failure of the unit.
- Inside components such as turntable, roller guide, light bulbs, etc.
- Repairs performed by unauthorized service agents.
- Service calls that do not involve defects in material and workmanship such as instructions on proper use of the product or improper installation.
- Replacement or resetting of house fuses or circuit breakers.
- Failure of this product if used for other purposes than its intended purpose.
- Disposal costs for any failed unit not returned to our factory.
- Any delivery/installation costs incurred as the result of a unit that fails to perform as specified.
- Expenses for travel and transportation for product service if your appliance is located in a remote area where service by an authorized service technician is not available.
- The removal and reinstallation of your appliance if it is installed in an inaccessible location or is not installed in accordance with published installation instructions.
- Refunds for non repairable products are limited to the price paid for the unit per the sales receipt.
- This warranty is non transferable. This warranty applies only to the original purchaser and does not extend to any subsequent owner(s).

LIMITATIONS OF REMEDIES AND EXCLUSIONS:

Product repair in accordance with the terms herein, is your sole and exclusive remedy under this limited warranty. Any and all implied warranties including merchantability and fitness for a particular purpose are hereby limited to one year or the shortest period allowed by law. MC Appliance Corporation is not liable for incidental or consequential damages and no representative or person is authorized to assume for us any other liability in connection with the sale of this product. Under no circumstances is the consumer permitted to return this unit to the factory without the prior written consent of MC Appliance Corporation.

Some states prohibit the exclusion or limitation of incidental or consequential damages, or limitations on implied warranties. This warranty gives you specific legal rights, and you may also have other rights which vary from state to state.

Model	Parts & Labor	Type of Service
MCCCB24 / MCCCB24-P	One Year	In Field
MCCCB36 / MCCCB36-P	One Year	In Field
MCCCB48 / MCCCB48-P	One Year	In Field

For Service or Assistance please call 888-775-0202 or visit us on the web at www.mcappliance.com to request warranty service or order parts.



**CNA International, Inc. d/b/a MC Appliance Corporation. All rights reserved.
Magic Chef® logo is a registered trademark of CNA International, Inc.**

www.mcappliance.com

Printed in China

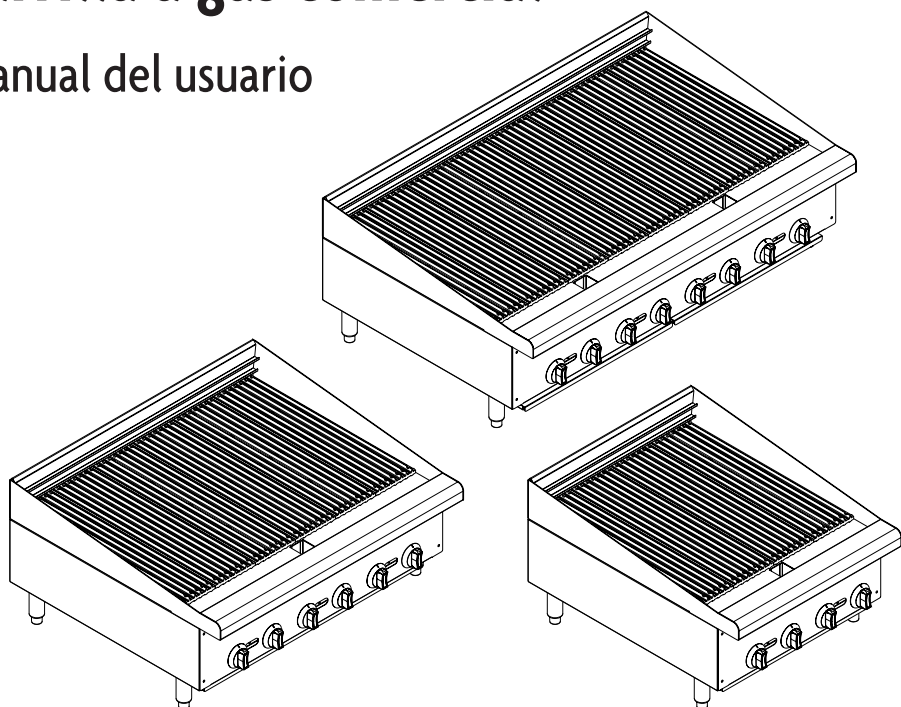


Magic Chef®

C O M M E R C I A L

Parrilla a gas comercial

Manual del usuario



Modelos MCCCB24 / MCCCB24-P / MCCCB36 / MCCCB36-P / MCCCB48 / MCCCB48-P

POR FAVOR, LEA CUIDADOSAMENTE ESTE MANUAL ANTES DE USAR SU PARRILLA A GAS COMERCIAL Y CONSÉRVELO PARA FUTURAS REFERENCIAS.



REGISTRO DEL PRODUCTO

Gracias por comprar un producto comercial de Magic Chef. El primer paso para proteger su nuevo producto es completar el registro del producto en nuestro sitio web: www.mcpliance.com/register. Los beneficios de registrar su producto incluyen los siguientes:

1. Registrar su producto nos permitirá contactarlo en relación a un aviso de seguridad o actualización del producto.
2. Registrar su producto nos permitirá un proceso de servicio de garantía más eficiente, cuando sea requerido un servicio de garantía.
3. Registrar su producto puede funcionar como su prueba de compra en el caso de que usted sufra una pérdida que esté cubierta por un seguro.

Una vez más, gracias por comprar un producto comercial de Magic Chef.

ÍNDICE

REGISTRO DEL PRODUCTO	17
PRECAUCIONES	19
INSTRUCCIONES DE SEGURIDAD IMPORTANTES	20
ESPECIFICACIONES	22
INSTRUCCIONES DE INSTALACIÓN	23
INSTRUCCIONES DE FUNCIONAMIENTO	25
CUIDADO Y MANTENIMIENTO	27
SOLUCIÓN DE PROBLEMAS	28
GARANTÍA LIMITADA	29

PRECAUCIONES

EXPLICACIÓN DE LOS SÍMBOLOS

▲ ADVERTENCIA

Peligros o prácticas inseguras que PODRÍAN provocar lesiones personales graves o la muerte.

▲ PRECAUCIÓN

Peligros o prácticas inseguras que PODRÍAN provocar lesiones personales leves o daños materiales.

▲ ADVERTENCIA: Lea y comprenda todas las precauciones de seguridad. La inobservancia de todas las instrucciones descritas en este manual del usuario podría derivar en descarga eléctrica, incendio y/o lesiones personales graves. Las advertencias, precauciones e instrucciones planteadas en este manual del usuario no cubren todas las eventuales condiciones y situaciones que podrían suscitarse.

▲ ADVERTENCIA: Si la información en este manual no se sigue exactamente, un incendio o una explosión podría resultar ocasionando daños materiales, lesiones personales o la muerte. NO guarde, ni utilice gasolina, u otro vapor o líquido inflamable en las cercanías de éste o de cualquier otro aparato.

▲ ADVERTENCIA: Fuga de Gas

- Las fugas de gas no siempre pueden ser detectadas por el olor.
- Los proveedores de gas recomiendan que usted utilice un detector de gas aprobado por UL o CSA.
- Para mayor información, comuníquese con su proveedor de gas.
- Si se detecta una fuga de gas, siga la sección “Qué hacer si huele a gas” a continuación.

▲ ADVERTENCIA: Qué hacer si huele a gas

- NO trate de encender ningún aparato.
- NO toque ningún interruptor eléctrico.
- No utilice ningún teléfono en el edificio.
- Inmediatamente llame a su proveedor de gas desde un teléfono afuera de la casa. (Ej.: Vaya a la casa del vecino para llamar a su proveedor de gas o al departamento de bomberos).
- Si el proveedor de gas no puede ser contactado, llame al departamento de bomberos.
- La instalación y el servicio deben ser ejecutados por un instalador calificado o una agencia de servicio.

INSTRUCCIONES DE SEGURIDAD IMPORTANTES

▲ ADVERTENCIA: Cuando utilice aparatos de gas, debe seguir las precauciones básicas de seguridad, incluidas las siguientes:

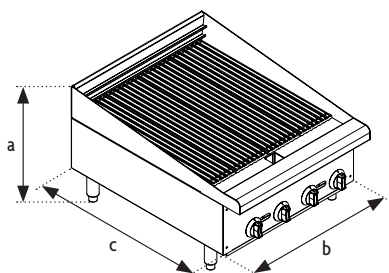
1. Lea todas las instrucciones antes de utilizar el aparato.
2. Cualquier modificación, instalación, ajuste o mantenimiento indebido puede provocar pérdida de bienes o accidentes. Por favor, comuníquese con el fabricante para cualquier ajuste o mantenimiento necesario, y deje que el trabajo lo realice una persona capacitada y calificada.
3. La parrilla debe utilizarse de conformidad con las normativas del Instituto Nacional de Normalización Estadounidense (American National Standards Institute, ANSI) Z223.1/la Asociación Nacional de Protección contra el Fuego (National Fire Protection Association, NFPA) 54 (edición más reciente) del Código Nacional del Gas Combustible, el Código Nacional de Instalación de Gas CSA/B149.1 o el Código de Instalación de Gas Propano CSA/B149.1 cuando correspondan. Se pueden obtener copias en la Asociación Americana de Gas, ubicada en 1515 Wilson Blvd, Arlington, VA 22209.
4. La instalación y el mantenimiento solo deben realizarse por profesionales certificados. La instalación incorrecta podría causar lesiones graves o la muerte, y puede anular la garantía.
5. No coloque la parrilla cerca de ningún líquido, gas u otro objeto que sea inflamable o explosivo.
6. Este aparato no debe ser operado por aquellas personas que tengan discapacidad fisiológica, perceptual ni mental o por aquellos que no tengan suficiente experiencia o conocimiento (incluidos los niños). Solo bajo condiciones en que se les proporcione suficiente supervisión y garantía de seguridad personal, al igual que las instrucciones y la orientación adecuadas, aquellos que se mencionan anteriormente pueden utilizar el dispositivo de forma especial.
7. Mantenga el dispositivo lejos del alcance de los niños.
8. Conserve este manual de manera segura. Al transferir/vender el dispositivo a un tercero, los manuales deben entregarse junto con el dispositivo. Todos los usuarios deben operar el dispositivo de acuerdo con el manual del usuario y las guías de seguridad relacionadas.
9. Si se coloca el aparato cerca de paredes, tabiques o muebles de la cocina, entre otros, se recomienda que estas instalaciones estén hechas de material no inflamable; de otro modo, deben cubrirse con material no inflamable resistente al calor y debe prestarse atención a las normas para la prevención de incendios.
10. El aparato debe instalarse en un área bien ventilada con instalaciones de evacuación las cuales pueden garantizar que todos los gases quemados producidos durante la combustión se ventilen correctamente.
11. El aparato solo debe utilizarse con válvulas reguladoras de gas de baja presión. El uso de otras válvulas reguladoras puede provocar pérdidas y accidentes.
12. No utilice la parrilla si no hay nada sobre las rejillas.
13. Advertencia de incendio: Si huele a gas, por favor, manténgase alejado del fuego. No encienda ningún dispositivo ni toque un interruptor eléctrico. No utilice ningún teléfono en el edificio. Cierre inmediatamente la válvula de gas principal y llame al personal profesional para que realice el mantenimiento. La operación a la fuerza o el mantenimiento inadecuado del aparato puede provocar grandes fugas o deflagraciones de gas. El fabricante no asume ninguna responsabilidad por accidentes de incendio provocados por la operación o el mantenimiento indebido.
14. Por favor, mantenga la integridad del aparato y retire el empaque exterior. Si tiene alguna pregunta, llame al especialista y deje de utilizar el aparato. Mantenga los materiales de embalaje lejos del alcance de los niños. (Debido a que los materiales son bolsas plásticas, uñas, etc.)

15. Cuando utilice por primera vez el dispositivo, puede tardar un poco más en encender debido al aire existente en la nueva tubería. Apague el interruptor de encendido si no responde, y vuelva a encenderlo 3 minutos más tarde para evitar una deflagración.
16. Para evitar peligros, por favor, apague el dispositivo cuando no lo use.
17. Este producto es una máquina profesional que debe ser operada por cocineros capacitados y no está diseñada para uso doméstico.
18. Este dispositivo es solamente para uso profesional, y no para otros fines.
19. NO desmonte ni modifique el dispositivo. Cualquier desmontaje o modificación puede ocasionar accidentes y anular la garantía.
20. NO coloque objetos pesados sobre el aparato. La operación indebida puede provocar daños y peligros.
21. No coloque ningún objeto dentro del respiradero del calentador. Esto puede bloquear el conducto de gas y causar lesiones.
22. Las altas temperaturas pueden causar quemaduras. NO toque la superficie del aparato directamente con las manos debido a las altas temperaturas durante o después de la operación.
23. NO dañe el panel de control con objetos duros o afilados.
24. NO rocíe agua directamente sobre el aparato. Limpie la superficie de acero inoxidable, con regularidad, para evitar daños causados por el óxido de la superficie y las reacciones químicas.

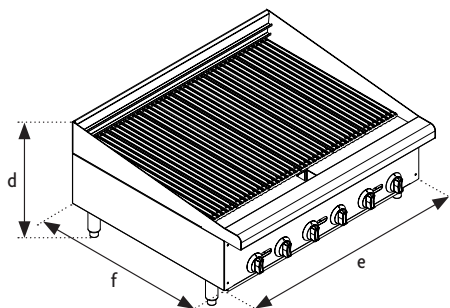
**LEA Y SIGA CUIDADOSAMENTE
ESTA INFORMACIÓN DE SEGURIDAD
GUARDE ESTAS INSTRUCCIONES**

ESPECIFICACIONES

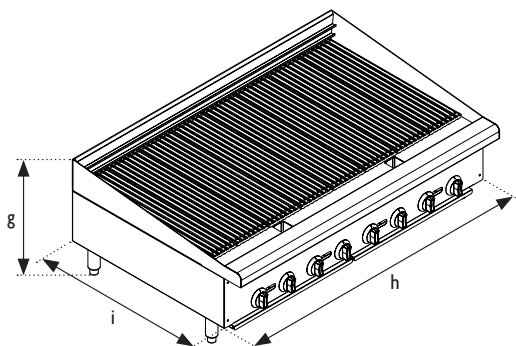
Figura 1



▲ Modelo MCCC24



▲ Modelo MCCC36



▲ Modelo MCCC48

- a. 17 pulgadas (432 mm)
- b. 24 pulgadas (610 mm)
- c. 31 pulgadas (788 mm)
- d. 17 pulgadas (432 mm)
- e. 36 pulgadas (910 mm)
- f. 31 pulgadas (788 mm)
- g. 17 pulgadas (432 mm)
- h. 48 pulgadas (1210 mm)
- i. 31 pulgadas (788 mm)

Modelo	Dimensiones Dimensiones (A x L x P)	Alimentación: (kW / BTU)	Presión y consumo de gas			Quemadores	Peso neto
			Gas licuado de petróleo (Liquefied Petroleum Gas, LPG) 2500Pa	Gas natural 1000Pa	Gas doméstico 1000Pa		
MCCC24 MCCC24-P	17" x 24" x 31" 432 x 610 x 788 (mm)	23,4" - 80000"	(1,8 kg)	2,1 m ³	4,23 m ³	4	212 lbs. (96 kg)
MCCC36 MCCC36-P	17" x 36" x 31" 432 x 910 x 788 (mm)	35,1 / 120000	(2,7 kg)	3,15 m ³	6,35 m ³	6	231.5 lbs. (105 kg)
MCCC48 MCCC48-P	17" x 48" x 31" 432 x 1210 x 788 (mm)	46,9 / 160000	(3,6 kg)	4,2 m ³	8,46 m ³	8	288.8 lbs. (131 kg)

INSTRUCCIONES DE INSTALACIÓN

TRANSPORTE Y ALMACENAMIENTO

Durante el transporte, el equipo de cocina debe ser manejado cuidadosamente. NO lo coloque boca abajo. El equipo debe ser almacenado en un depósito bien ventilado sin gas corrosivo. Si tiene que dejar el equipo en el exterior temporalmente, asegúrese de que no entre en contacto con la lluvia.

AVISO DE INSTALACIÓN

1. La instalación debe realizarse por técnicos certificados.
2. La conexión del dispositivo debe ajustarse a las disposiciones de seguridad, instalación y uso del gas.
3. El dispositivo solo se puede utilizar cuando las cuatro patas estén instaladas correctamente.
4. El aparato debe tener un espacio mínimo de 0 "(0 cm) de sustancias no combustibles (por ejemplo, paredes, ventanas, etc.) y de 6" - 8 "(15-20 cm) de materiales combustibles.
5. Este aparato debe instalarse sobre una superficie estable, nivelada y no inflamable (por ejemplo, cemento, baldosas cerámicas, terrazo y superficie metálica). Compruebe los requisitos de las normativas locales. La pavimentación de azulejos metálicos o cerámicos sobre material inflamable no se ajusta a los requerimientos de la normativa de superficie no inflamable. Por favor, deje suficiente espacio para el respiradero en el gabinete a fin de mantener el aparato lejos de la superficie inflamable cercana.
6. La posición de instalación debe suministrar suficiente aire de reposición durante la combustión normal y la instalación no debe bloquear el flujo de aire caliente y la ventilación.
7. Si se utiliza el extractor de aire, preste especial atención para evitar funcionamientos que interfieran con el dispositivo, por ejemplo: demanda de aire y ventilación del dispositivo.
8. Después de la instalación, nivele el dispositivo y manténgalo estable. NO balancee ni incline el dispositivo durante su operación.
9. NO utilice gas que no aplique a este dispositivo como combustible, NO utilice válvulas reguladoras de alta presión ni de presión media. Este dispositivo solo puede utilizarse con una válvula reguladora de baja presión.
10. Antes de la instalación, debe colocarse una válvula de desconexión de gas de rápida acción y de fácil acceso de manera ascendente en el dispositivo.
11. Asegúrese de que el gas suministrado es el mismo gas que el dispositivo permite usar. Si no lo es, por favor, deje de usarlo.
12. Cubra con un poco de sellador de tubería destinada para gasoductos en todas las uniones de la tubería. El sellador utilizado debe tener la durabilidad necesaria para la acción del gas.
13. Si la presión de la tubería de gas es un 10% mayor o menor que la presión nominal, por favor, instale un regulador de presión para ajustar la presión del gas que alcance la presión nominal.
14. La instalación desde el extremo de salida del medidor de flujo de gas o del regulador de servicio al tubo de gas del dispositivo debe ser realizada por técnicos profesionales y personal capacitado. También deben probar el equipo de cocción primero y hacer cualquier ajuste que se requiera.
15. No bloquee la ventilación del dispositivo ni interfiera la ventilación necesaria durante el funcionamiento normal de los quemadores.
16. Después de conectar el aparato al sistema de gas, verifique que no haya fugas en las uniones de la tubería; para ello, utilice agua jabonosa o un detector de fugas específico (aerosol).

INSTALACIÓN

1. Compruebe la presión y el tipo de gas, y asegúrese de que se ajustan a las especificaciones marcadas en la etiqueta de clasificación. Si se conecta una presión o tipo de gas incorrecto, puede dañar el rendimiento del dispositivo y provocar riesgos a la seguridad.
2. Antes de instalar el gasoducto, por favor, instale el aparato en una posición de uso final. Ajuste la altura del aparato sobre todas las 4 patas de nivelación usando un nivel de agua para asegurarse de que el dispositivo está nivelado. Tras la instalación del gasoducto, compruebe el estado del nivel del dispositivo nuevamente.
3. De acuerdo con los requisitos de las normas locales y la estricta recomendación del fabricante, puede ser necesaria una válvula de cierre de gas entre la tubería de suministro de gas y el regulador de presión de gas. Si la instalación de una válvula de cierre de gas tiene algún requisito en las normas locales, el profesional de instalación de gas deberá evaluarlo.

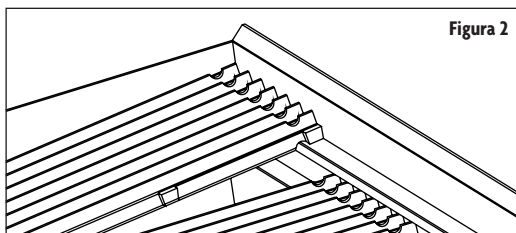
INSTRUCCIONES DE FUNCIONAMIENTO

Antes de su operación, por favor, lea cuidadosamente el manual del usuario. Si el aparato se sumergió en agua, por favor, deje de usarlo y llame a los técnicos para que revisen y reparen o reemplacen todos los componentes sumergidos en el agua. Seque los quemadores antes de usarlos. Por favor, asegúrese de que el quemador principal, el quemador de la llama piloto y el recipiente de aceite están instalados correctamente, antes de su uso.

1. Antes de encender la llama piloto, asegúrese de que no haya olor a gas alrededor del dispositivo. Al usarlo por primera vez o tras interrumpir el suministro de gas, la llama piloto puede tomar varios minutos en encenderse debido al aire existente en la tubería o al espacio libre de la tubería de entrada.
2. La llama piloto debe encenderse de forma manual. Retire la rejilla y gire todas perillas de control hasta la posición abierta completa. La llama piloto se encuentra cerca del quemador, y puede alcanzarse desde la parte superior del quemador. Asegúrese de que la válvula de cierre de gas esté abierta y el aire dentro de la tubería esté despejado. Tras abrir la válvula de gas, encienda la llama piloto con una cerilla o una mecha, NO use un encendedor. Luego reinstale la rejilla.
3. Tras su uso, apague el suministro de gas principal, todas las perillas del quemador y la llama piloto.
4. Las perillas de control de este dispositivo tienen un rango de ajuste continuo de “ON” (ENCENDIDO) a “OFF” (APAGADO). Gire la perilla hacia la posición “ON” para encender el quemador hasta que todas las partes del quemador se enciendan. Luego ajuste la perilla de control a la posición deseada. El valor establecido puede ajustarse libremente en cualquier momento.

▲ NOTA: Las perillas de control de los quemadores solo pueden operarse de forma manual únicamente. NO los gire usando herramientas. Si no pueden girar manualmente, NO los gire ni los repare con fuerza. El manejo a la fuerza o el mantenimiento inadecuado pueden provocar incendio o explosión.

5. Si no piensa utilizar el aparato, por favor, cierre las perillas de control para ahorrar energía. El quemador de gas puede suministrar una gran cantidad de calor, por lo tanto, NO mantenga el aparato encendido si no se usa con regularidad.
6. Pare reducir la cantidad de grasa que hace contacto con la lámina radiadora de calor, levante la rejilla ligeramente. Coloque el gancho en la parte trasera de la rejilla sobre la repisa inferior e incline la parte delantera de la rejilla.



AJUSTE DE LA LLAMA PILOTO

1. Retire todas las perillas de control, el panel delantero y las rejillas.
2. Gire el tornillo en sentido horario con un destornillador plano pequeño para disminuir la llama y gírelo en sentido antihorario para aumentar la llama.
3. Ajuste la altura de la llama piloto a ¼ pulgadas. Realice un prueba de funcionamiento: Todas las partes del quemador deben encenderse inmediatamente sin demora alguna. Puede que se requiera una llama más larga en una habitación bien ventilada, a fin de mantener la llama piloto encendida.
4. Previo a su uso, instale la rejilla, el panel delantero y todas las perillas de nuevo.

▲ NOTA: Puede haber un poco de humo en el arranque inicial como resultado de la quemadura de recubrimientos de prevención de óxido. Esto es normal. Deje que se quemé por lo menos 15 minutos antes de usar el aparato por primera vez.

AJUSTE DE LA LLAMA DEL QUEMADOR

1. Retire todas las perillas de control, el panel delantero, las rejillas y el panel radiador de calor.
2. Encienda un solo quemador y destornille el tornillo de fijación en el deflector.
3. Gire el deflector para aumentar o disminuir el volumen de ventilación conforme al requisito.
4. Regule el deflector de aire para hacer que la mayor parte de la llama se torna azul. Luego atornille el tornillo de fijación firmemente.
5. Previo a su uso, reinstale la rejilla, el panel delantero, el panel radiador de calor y todas las perillas.

INSPECCIÓN DE RUTINA

Es necesario revisar el equipo de cocción a diario para prevenir accidentes graves. Cese su uso si siente que hay algunos problemas en el circuito o en la máquina. Revise a diario la condición de la máquina antes o tras usarlo. Previo a su uso, asegúrese de que el equipo de cocción no esté inclinado y que el panel de control esté intacto. Durante su uso, asegúrese de que no haya presencia de olores extraños, luces de fondo, apagones ni ruidos de vibración y que la llama del quemador esté normal.

CUIDADO Y MANTENIMIENTO

1. Retire la rejilla del panel radiador de calor para su limpieza:
 - a. Elimine los residuos y las sobras de alimentos en la superficie de la rejilla con un cepillo de alambre con espátula.
 - b. Limpie la rejilla en un tanque de agua o en un lavavajillas.
 - c. Seque la rejilla y cubra su superficie con una capa fina de aceite comestible.
2. Retire el recipiente de aceite para su limpieza:
 - a. Limpie los residuos de alimentos que sean difíciles de eliminar con un estropajo de plástico.
 - b. Limpie el recipiente de aceite en un tanque de agua o en un lavavajillas.
3. Limpie el gabinete de la parrilla:
 - a. Limpie todos los residuos de alimentos en el gabinete con un estropajo de plástico.
 - b. Limpie el gabinete con un paño suave y húmedo o una esponja que contenga detergente neutro, luego enjuáguelo con un paño suave empapado de agua limpia y séquelo con un paño suave.
4. Vuelva a ensamblar la parrilla:
 - a. Reinstale el recipiente de aceite.
 - b. Reinstale la rejilla.
5. Si uno o más quemadores no pueden encenderse o si la llama es intermitente o inestable, entonces es posible que necesite limpiar el quemador. Cierre la válvula de cierre de gas y retire todas las perillas de control y el panel delantero, registre la posición del ensamblaje del quemador en el gabinete y retire el panel radiador de calor y el quemador principal. Revise el ensamblaje del quemador y registre la posición del deflector previo a su limpieza. Limpie los residuos de comida sobre los quemadores con agua tibia que contenga detergente neutro y un cepillo de cerdas. De ser necesario, destornille el tornillo y retire el reflector de calor del quemador para su limpieza. Use un estropajo y un detergente neutro para limpiarlo. Antes de reinstalar los quemadores, séquelos completamente.
6. Limpie los quemadores con un paño suave empapado en agua limpia y limpie las superficies externas, séquelas con un paño suave y limpio. Seque al aire todos los quemadores para extraer el agua dentro del canal interno de los quemadores.
7. Revise los quemadores y asegúrese de que el deflector de aire se encuentre en la posición correcta. Reinstale los quemadores con la salida de la llama hacia arriba. Deslice el deflector de aire/ventilación de la boquilla de la válvula de control. Reinstale el panel delantero, el panel radiador de calor, la rejilla y las perillas de control. Compruebe si todos los quemadores operan de manera correcta.

SOLUCIÓN DE PROBLEMAS

Problema	Causas posibles	Soluciones
La llama piloto no enciende.	La válvula de gas no está abierta.	Revise la válvula de gas principal/única.
	Hay aire en la tubería.	Abra la válvula de la llama piloto, enciéndala cada 15 segundos.
	La válvula de la llama piloto está cerrada.	Abra/ajuste la válvula de la llama piloto.
Los quemadores no encienden.	La válvula de gas no está abierta.	Revise la válvula de gas principal/única.
	Hay aire en la tubería.	Abra la válvula de la llama piloto, enciéndala cada 15 segundos.
	La llama piloto no está encendida.	Cierre las unidades con gas para ventilarlas por 5 minutos. Luego abra la válvula de gas y encienda la llama piloto.
El único quemador no enciende.	El controlador no está abierto.	Gire la válvula de control a la posición "On". Ajústela de acuerdo con el requisito tras el encendido.
	Hay agua en el quemador.	Extraiga el quemador y séquelo completamente.
	La válvula de control de gas, el quemador u otras partes internas están defectuosas.	Póngase en contacto con un técnico calificado para que realice la reparación.
La temperatura del quemador es lo suficientemente alta.	El deflector o la boquilla están ajustados de manera incorrecta.	Póngase en contacto con un técnico calificado.
	La válvula de control de gas, el quemador u otras partes internas están defectuosas.	Póngase en contacto con un técnico calificado.



GARANTÍA LIMITADA

MC Appliance Corporation garantiza que cada Parrilla a gas comercial nueva carece de defectos en los materiales y en la mano de obra, y conviene en remediar cualquier defecto o proporcionar las piezas nuevas, a opción de la compañía, de cualesquiera piezas de la unidad que hayan fallado durante el período de garantía. Las piezas y los gastos de mano de obra están cubiertos en esta unidad por un período de un año a partir de la fecha de compra. Es necesario presentar una copia del recibo o de la factura de venta fechado, para recibir el servicio de garantía, reemplazo o reembolso.

El consumidor asume todos los gastos de traslado para devolver la unidad a nuestra fábrica antes de obtener una unidad de reemplazo o un reembolso en caso de que deba sustituirse la unidad o efectuarse un reembolso de conformidad con los términos de esta garantía. Es necesario presentar una copia del recibo o de la factura de venta fechado, para recibir servicio de garantía, reemplazo o reembolso. Se emitirá un reembolso o reemplazo a discreción de MC Appliance Corporation.

Esta garantía cubre los aparatos en uso dentro de los Estados Unidos contiguos, Alaska, Hawái y Puerto Rico. Esta garantía no cubre lo siguiente:

- Daños debido a daños sufridos durante el envío o por instalación incorrecta.
- Daños debidos a uso incorrecto o abuso.
- Pérdidas de contenido debido a fallas de la unidad.
- Los componentes internos como la mesa giratoria, el rodillo guía, las bombillas de luz, etc.
- Reparaciones llevadas a cabo por agentes de servicio no autorizados.
- Llamadas de servicio que no implican defectos en material y mano de obra tales como instrucciones sobre el uso correcto del producto o instalación incorrecta.
- Reemplazo o reajuste de los fusibles de la casa o los interruptores.
- Falla de este producto si se usa para fines distintos para los que fue diseñado.
- Costos de eliminación de cualquier unidad defectuosa no devuelta a nuestra fábrica.
- Ninguno de los costos de entrega / instalación incurridos como resultado de una unidad que no funcione según las especificaciones.
- Gastos de viaje y transporte para obtener servicio para el producto si su aparato está ubicado en una zona remota donde el servicio por parte de un técnico de servicio autorizado no está disponible.
- El retiro y la nueva instalación de su aparato si está instalado en una ubicación inaccesible o no fue instalado de acuerdo con las instrucciones de instalación publicadas.
- Reembolsos para los productos que no son reparables están limitados al precio pagado por la unidad conforme a la factura de venta.
- Esta garantía es intransferible. Esta garantía aplica sólo al comprador original y no se extiende a cualquier propietario o propietarios subsecuentes.

LIMITACIONES A LOS REMEDIOS Y EXCLUSIONES:

La reparación del producto de acuerdo con los términos aquí indicados, es su único y exclusivo remedio bajo esta garantía limitada. Cualquiera y todas las garantías implícitas, incluyendo la comercialización y la idoneidad para un propósito particular están limitadas por medio de la presente a un año o al período más corto permitido por la ley. MC Appliance Corporation no es responsable por daños incidentales o emergentes y ningún representante o persona está autorizada para asumir por nuestra parte, ninguna otra responsabilidad en relación con la venta de este producto. Bajo ninguna circunstancia el consumidor tiene permitido devolver esta unidad a la fábrica sin la autorización previa por escrito suministrada por MC Appliance Corporation.

Algunos estados prohíben la exclusión o limitación de los daños incidentales o consecuenciales, o limitaciones en las garantías implícitas.

Esta garantía le otorga derechos legales específicos, y usted podría tener otros derechos que varían según el estado.

Modelo	Pieza y mano de obra	Tipo de servicio
MCCCB24 / MCCCB24-P	Un año	Reparación en el sitio
MCCCB36 / MCCCB36-P	Un año	Reparación en el sitio
MCCCB48 / MCCCB48-P	Un año	Reparación en el sitio

Para Servicio o Asistencia por favor llame al 888-775-0202 o visítenos en el sitio web en www.mcappliance.com para solicitar servicio de garantía u ordenar partes.



CNA International, Inc., opera bajo el nombre comercial de MC Appliance Corporation. Todos los derechos reservados. El logo de Magic Chef® es una marca registrada de CNA International, Inc.

www.mcappliance.com

Impreso en China

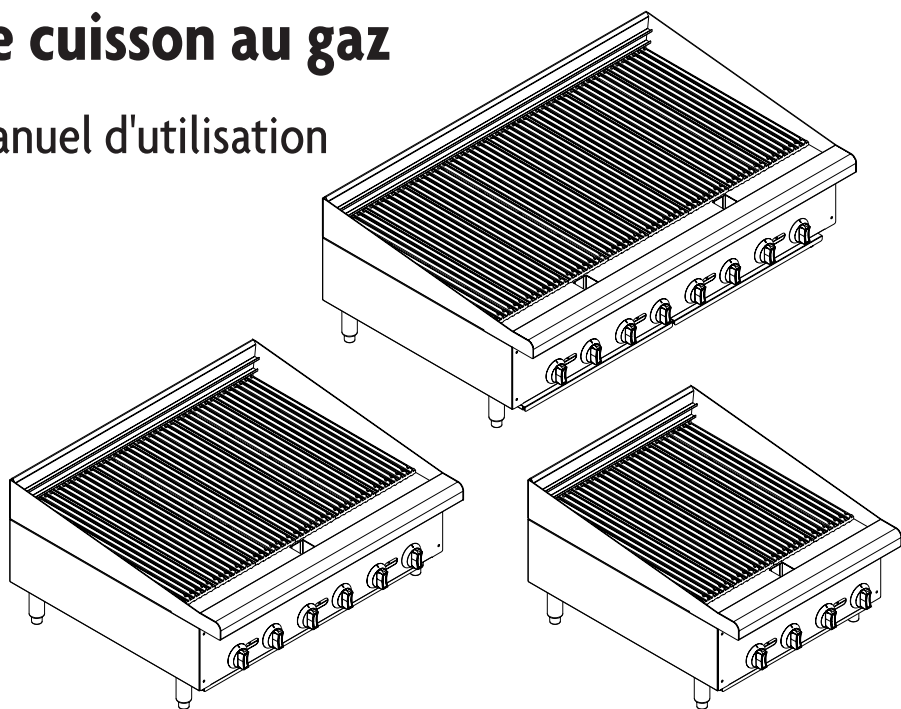


Magic Chef®

C O M M E R C I A L

Grille commerciale de cuisson au gaz

Manuel d'utilisation



Modèle MCCCB24 / MCCCB24-P / MCCCB36 / MCCCB36-P / MCCCB48 / MCCCB48-P

VEILLEZ LIRE ATTENTIVEMENT CE MANUEL AVANT D'UTILISER VOTRE GRILLE COMMERCIALE DE CUISSON AU GAZ ET CONSERVEZ-LE POUR RÉFÉRENCE FUTURE.



ENREGISTREMENT DU PRODUIT

Merci d'avoir acheté un produit commercial Magic Chef®. La première étape pour protéger votre produit est de remplir l'enregistrement de votre produit sur notre site web à www.mcappliance.com/register. Les avantages d'enregistrer votre produit sont les suivants :

1. Enregistrer votre produit vous permet de nous contacter par rapport aux avertissements de sécurité et aux mises à jour sur le produit.
2. Enregistrer votre produit permettra un traitement plus efficace de l'entretien sous garantie lorsqu'un entretien est nécessaire.
3. Enregistrer votre produit pourrait être utilisé comme preuve d'achat dans le cas d'une réclamation d'assurance.

Merci encore d'avoir acheté un produit commercial Magic Chef®.

CONTENU

ENREGISTREMENT DU PRODUIT	32
PRÉCAUTIONS	34
INSTRUCTIONS IMPORTANTES DE SÉCURITÉ	35
SPÉCIFICATIONS	37
INSTRUCTIONS D'INSTALLATION	38
INSTRUCTIONS D'UTILISATION	40
SOIN ET ENTRETIEN	42
DÉPANNAGE	43
GARANTIE LIMITÉE	44

PRÉCAUTIONS

EXPLICATIONS DES SYMBOLES

▲ AVERTISSEMENT

Des dangers et des comportements dangereux qui POURRAIENT occasionner des blessures corporelles ou la mort.

▲ ATTENTION

Des dangers ou des comportements dangereux qui POURRAIENT occasionner des blessures corporelles mineures ou des dommages matériels.

▲ AVERTISSEMENT : Lisez et comprenez toutes les précautions de sécurité. Ne pas suivre les instructions décrites dans ce manuel de l'utilisateur peut occasionner des décharges électriques, feux et/ou des dommages corporels. Les avertissements, attentions et instructions dans ce manuel d'utilisation ne peuvent pas couvrir toutes les situations et conditions possibles.

▲ AVERTISSEMENT : Si l'information de ce manuel n'est pas respectée, un feu ou une explosion pourrait occasionner des dommages matériels, corporels ou même la mort. NE PAS entreposer ou utiliser de l'essence ou d'autres vapeurs inflammables près de cet ou d'un autre appareil.

▲ AVERTISSEMENT : Fuite de gaz

- Les fuites de gaz ne peuvent pas toujours être détectées à l'odeur.
- Les fournisseurs recommandent d'utiliser un détecteur de gaz approuvé par UL ou CSA.
- Pour plus d'informations, contactez votre fournisseur de gaz.
- Si une fuite de gaz est détectée, suivez les instructions de la section ci-dessous «Quoi faire si vous sentez du gaz».

▲ AVERTISSEMENT : Quoi faire si vous sentez du gaz

- NE PAS essayer d'allumer l'appareil.
- NE PAS toucher un bouton électrique.
- NE PAS utiliser de téléphones dans l'immeuble.
- Appeler immédiatement votre fournisseur de gaz avec un téléphone à l'extérieur de l'immeuble. (Pe: Allez chez le voisin pour appeler votre fournisseur de gaz ou les pompiers)
- Si vous n'arrivez pas à rejoindre votre fournisseur de gaz, appelez les pompiers.
- L'installation et l'entretien doivent être faits par un technicien qualifié ou une agence d'entretien.

INSTRUCTIONS IMPORTANTES DE SÉCURITÉ

▲ AVERTISSEMENT : Lorsque vous utilisez des appareils au gaz, des instructions de sécurité de base devraient être respectées, incluant les suivantes :

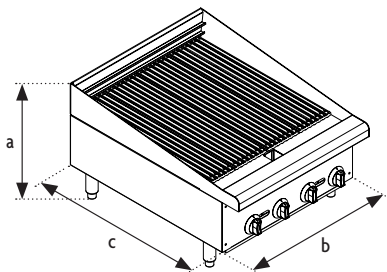
1. Lisez toutes les instructions avant d'utiliser l'appareil.
2. Toute modification, mauvaise installation, ajustement ou entretien faits par le client peut occasionner des dommages à la propriété ou des dommages. Veuillez contacter votre fabricant pour tout ajustement ou de l'entretien et faites faire le travail par du personnel qualifié.
3. La grille devrait être utilisée selon l'article ANSI Z223.1/NFPA 54 (la dernière édition) du code national du gaz, le code national d'installation du gaz, article CSA/B149.1 ou le code d'installation du propane lorsqu'applicable. Des copies peuvent être obtenues de l'association américaine du gaz au 1515 Wilson Blvd, Arlington, VA 22209.
4. L'installation et l'entretien devraient être faits par un professionnel certifié. Une mauvaise installation pourrait occasionner des dommages matériels et physiques importants qui pourraient annuler la garantie.
5. NE PAS placer la grille à côté d'un liquide, gaz ou tout autre objet inflammable ou explosif.
6. Cet appareil ne devrait pas être utilisé de gens avec des limitations physiologiques, perceptives ou mentales ou ceux qui n'ont pas assez d'expériences ou de connaissances (incluant les enfants). Avec un niveau suffisant de supervision et de garantie de sécurité personnelle, en plus des bonnes instructions et aides, les personnes mentionnées ci-dessus peuvent effectuer certaines opérations particulières sur l'appareil.
7. Gardez les enfants loin de cet appareil.
8. Conservez ce manuel de manière sécuritaire. Lorsque vous léguez/vendez cet appareil à une autre partie, ces manuels devraient accompagner l'appareil. Tous les utilisateurs doivent utiliser l'appareil selon le manuel de l'utilisateur et les directives de sécurité associées.
9. Si l'appareil est placé près d'un mur, d'une partition ou d'appareils de cuisine et ainsi de suite, il est préférable que ces lieux soient en matériaux ininflammables, dans le cas contraire recouvrez-les de matériaux ininflammables et résistants à la chaleur et faites attention à la réglementation de prévention des incendies.
10. Cet appareil devrait être installé dans un endroit bien aéré avec une sortie d'air, ce qui peut assurer que tous les gaz brûlés pendant la combustion sont évacués.
11. Cet appareil ne s'utilise qu'avec des valves de contrôle de gaz à basse pression. Il est possible que d'autres types de valves de contrôle occasionnent des pertes ou des blessures.
12. NE PAS allumer la grille si rien n'est présent sur les grilles.
13. Avertissement de feu: Si vous sentez du gaz, veuillez vous éloigner du feu. NE PAS allumer d'appareil ou d'interrupteur électriques. NE PAS utiliser de téléphone dans l'immeuble. Fermez la valve principale de gaz et appelez immédiatement un professionnel pour en faire l'entretien. Utiliser l'appareil de force ou un mauvais entretien peut causer de grandes fuites de gaz ou des déflagrations facilement. Le fabricant ne sera pas responsable des feux accidentaux causés par une mauvaise utilisation ou entretien.
14. Veuillez maintenir l'intégrité de l'appareil et enlevez l'emballage extérieur. Si vous avez des questions, appelez un spécialiste et arrêtez d'utiliser l'appareil. Gardez le matériel d'emballage hors de portée des enfants. (parce que le matériel est composé de sacs de plastiques, de clous, etc.)
15. Lors de la première utilisation, l'allumage peut être un peu plus long puisque l'air quitte le nouveau tuyau. Si l'appareil ne s'allume pas, éteignez le bouton d'allumage et recommencez 3 minutes plus tard pour éviter toute déflagration.

16. Pour éviter les dangers, veuillez éteindre l'appareil lorsqu'il n'est pas utilisé.
17. Ce produit est un appareil commercial qui nécessite une utilisation par un cuisinier formé et n'est pas conçu pour une utilisation domestique.
18. Cet appareil est uniquement pour une utilisation commerciale et ne devrait pas être utilisé d'aucune autre manière.
19. NE PAS désassembler ou modifier soi-même l'appareil. Désassembler ou modifier soi-même l'appareil pour causer des blessures et annuler la garantie.
20. NE PAS placer d'objets lourds sur l'appareil. Une utilisation anormale peut occasionner des dommages et des dangers
21. NE PAS mettre d'objets dans le conduit d'évacuation. Ce qui peut bloquer le flux de gaz et causer des blessures.
22. Des températures élevées peuvent occasionner des brûlures. NE PAS toucher directement la surface avec les mains à cause de la température élevée pendant ou après l'utilisation.
23. NE PAS détruire le panneau de commande avec des objets lourds ou pointus.
24. NE PAS asperger de l'eau directement sur l'appareil. Nettoyez régulièrement la surface en acier inoxydable pour éviter les dommages causés par une oxydation de surface et des réactions chimiques.

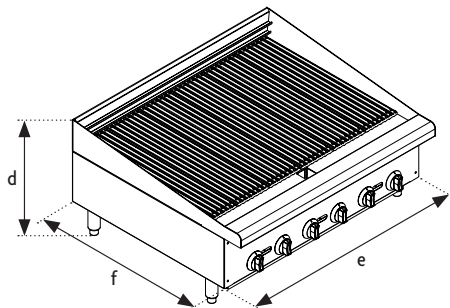
**LISEZ ET SUIVEZ ATTENTIVEMENT
CES INFORMATIONS DE SÉCURITÉ
CONSERVEZ CES INSTRUCTIONS**

SPÉCIFICATIONS

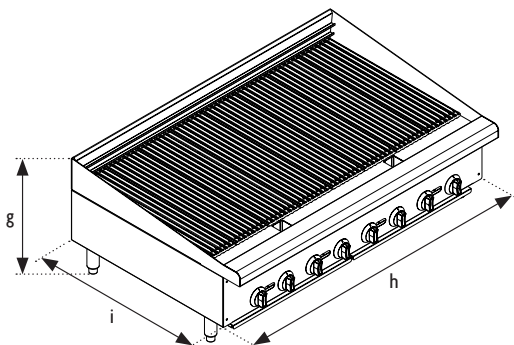
Figure 1



▲ Modèle MCCC24



▲ Modèle MCCC36



▲ Modèle MCCC48

- a. 17" (432 mm)
- b. 24" (610 mm)
- c. 31" (788 mm)
- d. 17" (432 mm)
- e. 36" (910 mm)
- f. 31" (788 mm)
- g. 17" (432 mm)
- h. 48" (1210 mm)
- i. 31" (788 mm)

Modèle	Dimensions (H x L x l)	Puissance (kW / BTU)	Pression et consommation de gaz			Bruleurs	Poids net
			GPL 2500 Pa	GN 1000 Pa	Gaz de ville 1000 Pa		
MCCC24 MCCC24-P	17" x 24" x 31" 432 x 610 x 788 (mm)	23,4 / 80000	1,8 kg	2,1 m ³	4,23 m ³	4	212 lbs. (96 kg)
MCCC36 MCCC36-P	17" x 36" x 31" 432 x 910 x 788 (mm)	35,1 / 120000	2,7 kg	3,15 m ³	6,35 m ³	6	231.5 lbs. (105 kg)
MCCC48 MCCC48-P	17" x 48" x 31" 432 x 1210 x 788 (mm)	46,9 / 160000	3,6 kg	4,2 m ³	8,46 m ³	8	288.8 lbs. (131 kg)

INSTRUCTIONS D'INSTALLATION

TRANSPORTATION ET ENTREPOSAGE

Pendant le transport, l'équipement de cuisson devrait être manipulé avec soin. NE PAS placer à l'envers. L'équipement devrait être entreposé dans un entrepôt bien aéré sans gaz corrosifs. S'il doit être entreposé temporairement à l'extérieur, assurez-vous qu'il n'entre pas en contact avec la pluie.

AVIS D'INSTALLATION

1. L'installation devrait être faite par des techniciens certifiés.
2. Le branchement à l'appareil devrait être conforme aux exigences de sécurité, d'installation et d'utilisation de gaz.
3. Cet appareil ne peut être utilisé que lorsque les quatre pattes sont installées correctement.
4. L'appareil doit avoir une distance minimale de 0 «(0 cm) à partir d'une substance non combustible (par exemple, des murs, des fenêtres, etc.) et de 15 à 20 cm (6» à 8 «) à partir de matériaux combustibles.
5. Cet appareil devrait être installé sur une surface stable, au niveau et ininflammable (p.e. du ciment, des tuiles de céramiques, du terrazzo ou une surface de métal). Vérifiez les exigences de la réglementation locale. Placer une plaque de métal ou des tuiles de céramiques sur un matériel inflammable ne le rend pas conforme aux exigences en matière de surfaces ininflammables. Veuillez laisser un espace adéquat pour la bouche de ventilation dans l'appareil pour éloigner l'appareil des surfaces inflammables à proximité.
6. La position debout devrait offrir assez d'air pour une combustion et une utilisation normale et ne devrait pas bloquer la ventilation ou le flot d'air.
7. Si le ventilateur est utilisé, portez une attention spéciale pour éviter les interférences d'utilisation avec l'appareil, p.e. la ventilation et la demande en air de l'appareil.
8. Après l'installation, mettez l'appareil à niveau et maintenez-le stable. NE PAS déplacer ou pencher l'appareil pendant son utilisation.
9. NE PAS utiliser un gaz qui ne s'utilise pas avec cet appareil en tant que carburant, NE PAS utiliser de valves de contrôle à haute et basse pression. L'appareil ne peut être utilisé qu'avec une valve de basse pression.
10. Une valve d'alimentation rapide de gaz devrait être installée en amont de l'appareil et à portée de main avant l'installation.
11. Assurez-vous que le gaz utilisé est le même que celui que l'appareil utilise. Sinon, arrêtez de l'utiliser.
12. Enduisez les joints de conduits avec un scellant à conduit pour conduites de gaz. Le joint d'étanchéité devrait être résistant au gaz.
13. Si la pression du tuyau est 10% supérieure ou inférieure à la pression calculée, veuillez installer un régulateur de pression et ajustée la pression à la valeur désirée.
14. L'installation du débitmètre de gaz ou le régulateur depuis le tuyau jusqu'à l'appareil devrait être fait par un technicien professionnel ou une personne qualifiée. Ils devraient aussi commencer par utiliser l'équipement de cuisson avant de l'ajuster.
15. NE PAS bloquer l'aération de l'appareil ou interférer avec l'aération nécessaire lors de l'utilisation normale des brûleurs.
16. Après avoir branché l'appareil au système de gaz, cherchez la présence de fuites aux joints et aux raccords; pour ce faire, utilisez une solution savonneuse ou un détecteur de fuite (vaporisateur).

INSTALLATION

1. Vérifiez le type de gaz et la pression et assurez-vous qu'ils sont conformes à ce qui est écrit sur la fiche signalétique. Si un autre gaz/pression est branché, la performance de l'appareil pourrait être affectée et aussi créer des dangers.
2. Avant d'installer la conduite du gaz, veuillez installer l'appareil en position d'utilisation. Ajustez la hauteur de l'appareil sur les 4 jambes ajustables avec un niveau pour vous assurer que l'appareil est bien au niveau. Après l'installation de la conduite de gaz, vérifiez de nouveau le niveau de l'appareil.
3. Selon les exigences locales et une forte recommandation du fabricant, une valve d'alimentation en gaz pourrait être nécessaire entre la conduite d'alimentation et le régulateur de pression. L'installateur de gaz devrait savoir s'il existe des exigences locales en matière de valve d'alimentation en gaz.

INSTRUCTIONS D'UTILISATION

Avant l'utilisation veuillez lire attentivement le manuel de l'utilisateur. Si l'appareil est submergé dans l'eau, veuillez arrêter de l'utiliser et appeler le technicien pour qu'il vérifie et répare ou remplace les composantes qui ont été submergées dans l'eau. Séchez les brûleurs mouillés avant de les utiliser. Avant l'utilisation, assurez que le brûleur principal, le témoin et le bassin d'huile sont correctement installés.

1. Avant d'allumer le témoin, assurez-vous qu'il n'y a pas d'odeur de gaz autour de l'appareil. Lors de la première utilisation ou après avoir coupé l'alimentation en gaz, plusieurs minutes peuvent être nécessaires pour rallumer le témoin à cause de l'air qui quitte la conduite ou le tuyau.
2. Le témoin devrait être allumé manuellement. Enlevez la grille et tournez tous les boutons de commandes au maximum. Le témoin est près du brûleur et on peut y accéder à partir du dessus du brûleur. Assurez-vous que la valve d'alimentation en gaz est allumée et que l'air a quitté la conduite. Après avoir ouvert la valve de gaz, allumez le témoin avec une allumette ou un allumeur, NE PAS utiliser un briquet. Remplacez ensuite la grille.
3. Après l'utilisation, fermez l'alimentation principale en gaz, tous les boutons de tous les brûleurs et le témoin.
4. Les boutons de commandes de l'appareil ont une gamme continue entre «ON» et «OFF». Tournez le bouton à «ON» pour allumer le brûleur jusqu'à ce que toutes ses parties soient allumées. Tournez ensuite le bouton à la position voulue. La position peut être ajustée à tout moment.

▲ REMARQUE: Les boutons de commandes des brûleurs ne peuvent être utilisés que manuellement. NE PAS tourner les boutons avec des outils. S'il ne peut être tourné manuellement, NE PAS le tourner ou le réparer avec force. La force ou un mauvais entretien peuvent occasionner du feu ou des explosions.

5. Si vous n'utilisez pas l'appareil, veuillez l'éteindre pour économie de l'énergie. Le brûleur au gaz peut fournir une grande quantité de chaleur, de ce fait NE LE laissez pas allumé s'il est utilisé par intermittence.
6. Pour réduire la quantité de graisse sur la plaque radiante, levez légèrement la grille. Placez le crochet au bout de la grille sur l'étagé en dessous et inclinez le devant de la grille.

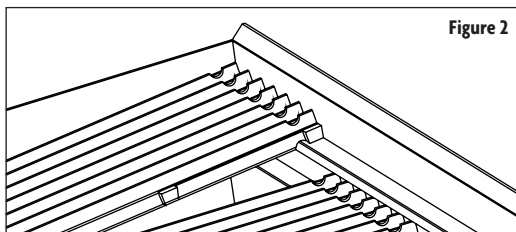


Figure 2

AJUSTER LE TÉMOIN

1. Enlevez tous les boutons de commandes, le panneau frontal et les grilles.
2. Vissez dans le sens horaire avec un tournevis plat pour réduire la flamme et dans le sens antihoraire pour augmenter la flamme.
3. Ajustez la hauteur du témoin à 1.25 cm (1/4 "). Faites un test d'utilisation: Toutes les parties du brûleur devraient s'allumer immédiatement et sans délai. Une plus grande flamme peut être nécessaire dans un endroit bien aéré pour maintenir le témoin.
4. Avant l'utilisation, installez la grille, le panneau frontal et tous les boutons de commandes.

▲ REMARQUE: Il peut y avoir un peu de fumée lors de la première utilisation résultant de la combustion du revêtement anti-rouille. C'est normal. Veuillez laisser brûler pendant au moins 15 minutes avant de l'utiliser la première fois.

AJUSTER LA FLAMME DU BRULEUR

1. Enlevez tous les boutons de commandes, le panneau frontal, les grilles et le panneau de radiance.
2. Allumez un seul bruleur et dévissez la vis de verrouillage sur le déflecteur.
3. Faites tourner le déflecteur pour augmenter ou réduire le volume selon les besoins.
4. Réglez le déflecteur pour que la majorité de la flamme soit bleue. Vissez ensuite solidement la vis de verrouillage.
5. Avant l'utilisation, installez la grille, le panneau frontal, le panneau radiant et tous les boutons de commandes.

INSPECTION QUOTIDIENNE

Il est nécessaire de vérifier quotidiennement l'équipement de cuisine pour éviter les accidents majeurs. Arrêtez de l'utiliser si l'utilisateur sent un problème dans un circuit ou dans l'appareil. Vérifiez l'état de l'appareil avant et après chaque journée. Avant l'utilisation, assurez-vous que l'appareil n'est pas incliné et que le panneau de contrôle est intact. Pendant l'utilisation, assurez-vous qu'il n'y a pas d'odeurs étranges, rallumage, des flammes qui s'éteignent ou des sons de vibrations et que le bruleur fonctionne normalement.

SOIN ET ENTRETIEN

1. Enlevez la grille du panneau radiant pour le nettoyer:
 - a. Enlevez les résidus alimentaires et les morceaux sur la surface de la grille avant un racloir en métal.
 - b. Nettoyez la grille dans l'évier ou au lave-vaisselle.
 - c. Séchez la grille et enduisez-la d'une mince couche d'huile comestible.
2. Enlever la trappe d'huile pour la nettoyer:
 - a. Nettoyez les résidus alimentaires qui sont difficiles à enlever avec un tampon à récurer en plastique.
 - b. Nettoyez la trappe d'huile dans l'évier ou au lave-vaisselle.
3. Nettoyer l'intérieur de la grille de cuisson:
 - a. Nettoyez tous les résidus alimentaires à l'intérieur avec un tampon à récurer en plastique.
 - b. Nettoyez l'intérieur avec un linge doux et humide ou une éponge avec un détergent neutre puis rincez-le avec un linge doux trempé dans de l'eau propre et séchez avec un linge doux.
4. Réassembler la grille de cuisson.
 - a. Remplacez la trappe d'huile.
 - b. Remplacez la grille en place.
5. Si un ou plusieurs brûleurs ne peuvent pas être allumés ou que la flamme est intermittente ou instable, le brûleur devrait être nettoyé. Fermez la valve d'alimentation et enlevez tous les boutons de commandes du panneau frontal, rappelez-vous de la position de l'assemblage du brûleur à l'intérieur et enlevez le panneau radiant du brûleur principal. Vérifiez l'assemblage du brûleur et rappelez-vous de la position du déflecteur avant le nettoyage. Nettoyez les résidus alimentaires sur les brûleurs avec de l'eau chaude et un détergent neutre et une brosse. Si nécessaire, dévissez la vis et enlevez le déflecteur à chaleur du brûleur pour le nettoyer. Utilisez un tampon à récurer en plastique et un détergent neutre pour le nettoyer. Avant de replacer les brûleurs, séchez-les complètement.
6. Nettoyez les brûleurs avec un linge doux trempé et de l'eau propre et nettoyez les surfaces extérieures, séchez-les avec un linge doux. Laissez les brûleurs sécher à l'air libre pour enlever l'eau dans les canaux internes des brûleurs.
7. Vérifiez les brûleurs et assurez-vous que le déflecteur d'air est bien placé. Remplacez les brûleurs avec la sortie de la flamme vers le haut. Glissez la ventilation/déflecteur d'air depuis le bout de la buse de la valve de contrôle. Remplacez le panneau frontal, le panneau radiant, la grille et les boutons de commandes. Assurez-vous que tous les brûleurs fonctionnent bien.

DÉPANNAGE

Problème	Causes probables	Solutions
Le témoin ne s'allume pas.	Le gaz n'est pas ouvert.	Vérifiez l'alimentation en gaz.
	Il y a de l'air dans la conduite.	Ouvrez la valve du témoin et allumez-le au 15 secondes.
	La valve du témoin n'est pas ouverte.	Ouvrez-ajustez la valve du témoin.
Le bruleur ne s'allume pas.	Le gaz n'est pas ouvert.	Vérifiez l'alimentation en gaz.
	Il y a de l'air dans la conduite.	Ouvrez la valve du témoin et allumez-le au 15 secondes.
	Le témoin n'est pas allumé.	Fermez les bruleurs ouvert et ventiler pendant 5 minutes. Ouvrez ensuite le gaz et allumez le témoin.
Un bruleur ne s'allume.	Le bouton n'est pas ouvert.	Tournez le bouton de commande à «On». Réglez-le selon les exigences d'allumage.
	Il y a de l'eau dans le bruleur.	Enlevez le bruleur et séchez-le complètement.
	La valve d'alimentation, le bruleur ou une pièce interne est défectueuse.	Appelez un technicien qualifié pour la réparation.
La température du bruleur n'est pas assez chaude.	Le déflecteur ou la buse n'est pas bien ajusté.	Appelez un technicien qualifié.
	La valve d'alimentation, le bruleur ou une pièce interne est défectueuse.	Appelez un technicien qualifié.



GARANTIE LIMITÉE

MC appliance corporation garantit que toutes les nouvelles grilles commerciales de cuisson au gaz ne présentent aucun défaut matériel ou de main-d'oeuvre et accepte de remédier à ces défauts ou de fournir des nouvelles pièce(s), à la discrétion de la compagnie, pour toute pièce(s) de l'appareil qui fait défaut durant la période de garantie. Les pièces et la main-d'oeuvre de cet appareil sont garanties pendant une période d'un an depuis la date d'achat. Une copie avec la date du reçu de vente ou de la facture est nécessaire pour recevoir un remplacement, un remboursement ou la réparation sous garantie.

Dans l'éventualité qu'un appareil nécessite un remplacement ou un remboursement selon les termes de la garantie, le consommateur est responsable de toutes les dépenses de manutention liées au renvoi de l'appareil à l'usine avant de recevoir son appareil de remplacement ou son remboursement. Une copie avec la date du reçu de vente ou de la facture est nécessaire pour recevoir un remplacement, un remboursement ou la réparation sous garantie. Un remboursement ou un remplacement sera émis à la discrétion de MC Appliance Corporation.

Cette garantie s'applique aux appareils utilisés aux États-Unis contigus, Alaska, Hawaii et Puerto Rico. Cette garantie ne s'applique pas aux cas suivants:

- Les dommages causés par la manutention ou une mauvaise installation.
- Les dommages dus à une mauvaise utilisation ou une utilisation abusive.
- La perte de contenu dû à une défaillance de l'appareil.
- Les composants internes comme les plaques tournantes, les guides roulants, les ampoules, etc.
- Les réparations faites par un agent non autorisé.
- Les appels de services qui ne concernent pas les défauts de matériel ou de main-d'oeuvre comme des instructions sur l'installation appropriée de ce produit ou sa mauvaise installation.
- Le remplacement ou le réarmage d'un disjoncteur ou de fusibles.
- La défaillance du produit s'il est utilisé pour d'autres raisons que sa raison de conception.
- Les coûts de récupération de tout appareil défectueux qui n'est pas renvoyé à l'usine.
- Tous les coûts d'installation/de livraison encourus par un appareil qui ne fonctionne pas selon les spécifications.
- Les dépenses de transport ou manutention pour la réparation si votre produit est situé dans une zone éloignée où les services d'un technicien autorisé ne sont pas disponibles.
- Enlever ou réinstaller votre appareil s'il est installé dans un endroit inaccessible ou s'il n'est pas installé selon les instructions d'installation publiées.
- Les remboursements pour les produits non réparables se limitent au prix payé pour l'appareil sur le reçu de vente.
- Cette garantie n'est pas transférable. Cette garantie ne s'applique qu'à propriétaire original et ne s'étend pas au propriétaire(s) subséquent(s).

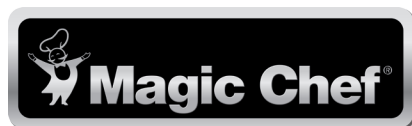
LIMITES DES RECOURS ET EXCLUSIONS

La réparation du produit selon les termes ci-inclus est votre seul recours durant la garantie limitée. Toutes garanties implicites incluant la qualité marchande et la bonne condition pour une utilisation particulière sont, par la présente, limitées à un an ou la plus courte période permise par la loi. MC Appliance Corporation n'est pas responsable des dommages accidentels ou consécutifs et aucun représentant ou personne n'est autorisé à assumer en notre nom toute autre responsabilité en lien avec la vente de ce produit. En aucun cas le consommateur n'est-il autorisé à retourner cet appareil à l'usine sans autorisation préalable de MC Appliance Corporation.

Certains États interdisent les exclusions ou limites sur les dommages accidentaux ou consécutifs ou les limites sur les garanties implicites. Cette garantie vous donne des droits légaux spécifiques et vous pourriez avoir d'autres droits qui peuvent varier d'un État à l'autre.

Modèle	Pièces et main-d'oeuvre	Type de service
MCCCB24 / MCCCB24-P	Un an	sur place
MCCCB36 / MCCCB36-P	Un an	sur place
MCCCB48 / MCCCB48-P	Un an	sur place

Pour de l'aide ou du service, veuillez appeler 1-866-789-0202 ou visitez notre site web au www.mcappliance.com pour demander une réparation sous garantie ou commander des pièces.



**CNA International, Inc. d/b/a MC Appliance Corporation. Tous droits réservés
Le logotype Magic Chef® est une marque de commerciale de CNA International Inc.**

www.mcappliance.com

Imprimé en Chine