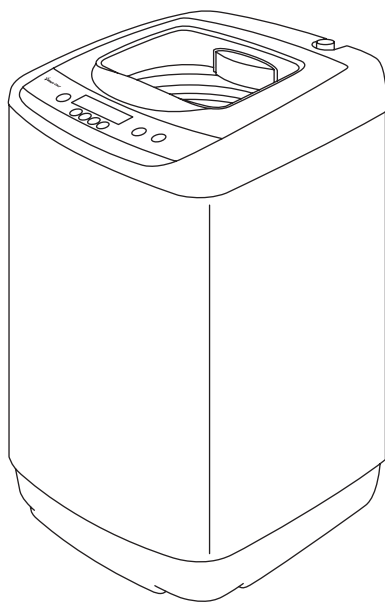




# 0.9 Cu. Ft. Portable Washer

*User's Manual*



Model MCSTCW09W1

**PLEASE READ THIS MANUAL CAREFULLY BEFORE USING YOUR WASHER  
AND KEEP IT FOR FUTURE REFERENCE.**



## PRODUCT REGISTRATION

Thank you for purchasing this Magic Chef® product. The first step to protect your new product is to complete the product registration on our website: [www.mcappliance.com/register](http://www.mcappliance.com/register). The benefits of registering your product include the following:

1. Registering your product will allow us to contact you regarding a safety notification or product update.
2. Registering your product will allow for more efficient warranty service processing when warranty service is required.
3. Registering your product could act as your proof of purchase in the event of insurance loss.

Once again, thank you for purchasing this Magic Chef product.

# CONTENTS

PRODUCT REGISTRATION .....	2
PRECAUTIONS .....	4
IMPORTANT SAFETY INSTRUCTIONS .....	5
SPECIFICATIONS.....	10
PARTS AND FEATURES .....	11
INSTALLATION INSTRUCTIONS .....	12
OPERATION INSTRUCTIONS.....	17
CARE AND MAINTENANCE.....	19
TROUBLESHOOTING.....	20
LIMITED WARRANTY .....	22

# PRECAUTIONS

## EXPLANATION OF SYMBOLS

### **▲ WARNING**

Hazards or unsafe practices which COULD result in severe personal injury or death.

### **▲ CAUTION**

Hazards or unsafe practices which COULD result in minor personal injury or property damage.

**▲ WARNING:** Read and understand all safety precautions. Failure to follow all instructions described in this user manual may result in electric shock, fire and/or serious personal injury. The warnings, cautions and instructions discussed in this user manual cannot cover all possible conditions and situations that may occur.

# IMPORTANT SAFETY INSTRUCTIONS

1. Read all instructions before using this appliance.
2. Use this appliance only for its intended purpose as described in this user manual.
3. ALWAYS follow the fabric care instructions supplied by the garment manufacturer.
4. DO NOT wash or dry articles that have been previously cleaned in, washed in, soaked in, or spotted with gasoline, dry-cleaning solvents, other flammable or explosive substances as they give off vapors that could ignite or explode.
5. DO NOT allow children to play on or in the washer. Close supervision of children is necessary when the washer is used near children.
6. If your old appliance is not being used, we recommend that you remove the door or properly dispose your old appliance according to local law ordinances.
7. The loading door of the washer must be closed when the tub is spinning.
8. DO NOT install or store this washer where it will be exposed to the weather or freezing temperatures.
9. Do not operate your appliance when parts are either missing or broken.
10. DO NOT repair or replace any part of the washer or attempt any servicing unless it is specifically recommended in the care and maintenance instructions or in published user-repair instructions that you understand and have the skills to carry out.
11. DO NOT add gasoline, dry-cleaning solvents, or other flammable or explosive substances to the wash water. These substances give off vapors that could ignite or explode.
12. Under certain conditions, hydrogen gas may be produced in a hot water system that has not been used for 2 weeks or more.
13. HYDROGEN GAS IS EXPLOSIVE. If the hot water system has not been used for 2 weeks or more, before using a washer or combination washer-dryer, turn on all hot water faucets and let the water flow from each for several minutes. This will release any accumulated hydrogen gas. As the gas is flammable, DO NOT smoke or use an open flame during this time.
14. Keep the area underneath and around your washer free of combustible materials (lint, paper, rags, etc.), gasoline, chemicals and other flammable vapors and liquids.
15. DO NOT place items exposed to cooking oil in your washer. Items contaminated with cooking oils may contribute to a chemical reaction that could cause a load to catch fire.
16. This washer is not designed for mobile installations such as in RVs, aircraft, etc. ; for household use only.
17. Turn off the water faucets and unplug the washer if the machine is going to be left for an extended period of time, such as during vacations.
18. Packaging material can be dangerous for children. There is a risk of suffocation! Keep all packaging away from children.
19. ALWAYS check the inside of the washer for foreign objects before loading laundry. Keep the lid closed when not in use.

## **▲ WARNING:** Power Cord and Socket

1. Plug the power cord into an AC 120V/60Hz wall socket rated at 15amps or higher. Use the socket for this washer only.
2. DO NOT use an extension cord. Sharing a wall socket with other appliance, using a power strip, or extending

the power cord may result in electric shock or fire.

3. DO NOT use an electric transformer. It may result in electric shock or fire.
4. Have this washer installed by a qualified technician or service company. Failing to do so may result in electric shock, fire, explosion, problems with the product, or injury.
5. Remove all foreign substances such as dust or water from the power plug terminals and contact points using a dry cloth on a regular basis. Unplug the power plug and clean it with a dry cloth. Failing to do so may result in electric shock or fire.
6. Plug the power plug into the wall socket in the right direction so that the cord runs towards the floor. If you plug the power plug into the socket in the opposite direction, the electric wires within the cable may be damaged and this may result in electric shock or fire.
7. Plug the power plug into the wall socket firmly. DO NOT use a damaged power plug, or loosen wall socket. This may result in electric shock or fire.
8. NEVER unplug your appliance by pulling on its power cord. Always grasp the plug firmly and pull it straight out from the outlet.
9. DO NOT twist or tie the power cord.
10. DO NOT hook the power cord over a metal object, place a heavy object on the power cord, insert the power cord between objects, or push the power cord into the space behind the washer. This may result in electric shock or fire.
11. If the power plug or power cord are damaged, contact your nearest service center.

**▲ WARNING: GROUNDING INSTRUCTIONS**

This appliance must be properly grounded. In the event of malfunction or breakdown, grounding will reduce the risk of electric shock by providing a path of least resistance for electric current. This appliance is equipped with a power cord with a three-pronged plug for grounding purposes. This three-pronged plug must be plugged into an appropriate outlet that is properly installed and grounded in accordance with all local codes and ordinances.

**▲ WARNING: Installation**

1. DO NOT install this washer near a heater or inflammable material.
2. DO NOT install this washer in a humid, oily, or dusty location, or in a location exposed to direct sunlight or water (rain drops).
3. DO NOT install this washer in a location where gas may leak. This may result in electric shock or fire.
4. If the washer is moved to a new location, have it checked and re-installed by a qualified technician. Failing to follow this warning may result in electric shock or fire.
5. DO NOT install on carpet. Install washer on a level and solid floor that can support its weight. Failing to do so may result in abnormal vibrations, noise, or problems with the product.
6. The washer is heavy. Two or more people may be needed to install and move the washer. Failing to do so may result in bodily injuries.
7. Store and install the washer where it will not be exposed to temperatures below freezing or exposed to outdoor weather conditions. Failing to do so may result in serious leak damage.
8. Position the washer so that the power plug is easily accessible. Failing to do so may result in electric shock or fire due to electric leakage.
9. To reduce the risk of injury to persons, adhere to all industry recommended safety glasses. Failing to follow all of the safety warnings in this manual may result in property damage, or injury to persons.

**▲ WARNING: Use and Maintenance**

1. If the washer is flooded, immediately turn the power off and contact your nearest service center.
2. If the washer emits a strange noise, a burning smell, or smoke, unplug the power plug immediately and contact your nearest service center. Failing to do so may result in electric shock or fire.
3. In the event of a gas leak (such as propane gas, LP gas, etc.), ventilate the area immediately. DO NOT turn any appliance or light on or off. Do not use a ventilating fan. A spark may result in an explosion or fire.
4. DO NOT wash items contaminated with gasoline, kerosene, benzene, paint thinner, alcohol, dry cleaning detergent or other flammable or explosive substances. This may result in electric shock, fire, or an explosion.
5. DO NOT force the washer lid open while the washer is operating (high temperature washing/drying/spinning). Water flowing out of the washer may cause burns or cause the floor to be slippery. This may result in injury. Forcing the lid open can damage the product or may cause serious injury.
6. Make sure to remove the packaging (sponge, styrofoam) attached to the bottom of the washer before using it.
7. DO NOT insert your hand or a metal object under the washer. This may result in injury.
8. DO NOT attempt to operate this washer if it is damaged, malfunctioning, partially disassembled, or has missing or broken parts, including a damaged cord or plug. This may result in electric shock, fire or death.
9. DO NOT touch the power plug with wet hands. This may result in electric shock.
10. DO NOT turn the washer off by unplugging the power plug while the washer is in operation. Plugging the power plug into the wall socket again may cause a spark and result in electric shock or fire.
11. Keep all packaging material well out of the reach of children, as packaging materials can be dangerous to children. To avoid danger of suffocation, keep all plastic bags away from babies and children.
12. DO NOT let children or impaired people use this washer unsupervised. Failing to do so may result in electric shock, burns or injury.
13. DO NOT attempt to repair, disassemble, or modify the washer yourself. DO NOT use any fuse (such as cooper, steel wire, etc.) other than the standard fuse. If you need to repair or reinstall the washer, contact your nearest service center. Failing to do so may result in electric shock, fire, problems with the product, or injury.
14. If any foreign substance such as water enters the washer in any area other than the tub, turn off and unplug the power plug and contact your nearest service center. Failing to do so may result in electric shock or fire.
15. If the water supply hose becomes loose from the faucet and floods the washer, turn off and unplug the power plug. Failing to do so may result in electric shock or fire.
16. DO NOT mix chlorine bleach with ammonia or acids such as vinegar. Incorrect usage can produce poisonous gas, result in serious injury.
17. DO NOT reach into the washer while parts are moving. Before loading, unloading, or adding items, press the START/PAUSE button and allow the basket to come to complete stop before reaching inside. Failing to do so may result in electric shock, serious injury or fire.
18. DO NOT allow children to play on or in the washer. Close supervision of children is necessary when the washer is used near children. As children grow, teach them the proper, safe use of all appliances. Failing to do so may result in serious injury to persons.
19. Keep laundry products out of children's reach. Read and follow all product warning labels, failure to do so may result in serious injury.
20. Disconnect this washer from the power supply before attempting any user maintenance. Turning the controls to the OFF position does not disconnect this washer from the power supply. Failing to do so may result in electric shock, injury or fire.

21. DO NOT directly rinse the machine with water when cleaning.
22. DO NOT use benzene, thinner, or alcohol to clean the washer. This may result in discoloration, deformation, damage, electric shock or fire.

**▲ CAUTION:** Usage and Maintenance

1. Unplug the power plug when the washer is not being used for long periods of time or during a thunder/lightning storm. Failing to do so may result in electric shock or fire.
2. Keep hands and foreign objects clear of the lid and latch area when closing the lid. Failing to do so may result in personal injury.
3. If the washer is contaminated by a foreign substance such as detergent, dirt, food waste, etc., unplug the power plug and clean the washer with a damp, soft cloth. Failing to do so may result in discoloration, deformation, damage or rust.
4. DO NOT place heavy objects on the lid of the washer as it may crack or break and may cause injury. Use care when utilizing the washer.
5. After a water supply failure or when reconnecting the water supply hose, open the faucet slowly.
6. Open the faucet slowly after a long period of non-use. The air pressure in the water supply hose or the water pipe may result in damage to a part or in water leakage.
7. If a drain error occurs during an operation, check if there is a draining problem. If the washer is used when it is flooded because of a draining problem, it may result in electric shock or fire due to electric leakage.
8. DO NOT insert your hand or a metal object under the washer. This may result in injury.
9. Insert the laundry into the washer completely so that laundry does not get caught in the lid. If laundry gets caught in the lid, it may result in damage to the laundry or the washer, or result in water leakage.
10. Ensure that the faucet is turned off when the washer is not being used. Ensure that the water supply hose connectors are properly tightened. Failing to do so may result in property damage or injury.
11. Open the faucet and check if the water supply hose connector is firmly tightened and that there is no water leaking before using the product. If the water supply hose connectors are loose, it may result in water leakage.
12. DO NOT stand on top of the washer or place objects (such as laundry, lighted candles, lighted cigarettes, dishes, chemicals, metal objects, etc.) on the washer. This may result in electric shock, fire, problems with the product, or injury.
13. DO NOT operate the washer with wet hands. This may result in electric shock.
14. DO NOT spray volatile material such as insecticide onto the surface of the washer. As well as being harmful to humans, it may also result in electric shock, fire, or problems with the product.
15. DO NOT place an object that generates an electromagnetic field near the washer. This may result in injury due to a malfunction.
16. Since the water drained during a high temperature wash or drying cycle is hot, DO NOT touch the water. This may result in burns or injury.
17. DO NOT wash, spin, or dry water-proof seats, mats, or clothing. DO NOT wash thick, hard mats even if the washer mark is on the care label. This may result in injury or damage to the washer, walls, floor, or clothing due to abnormal vibrations.
18. DO NOT operate the washer when detergent dispenser is removed. This may result in electric shock or injury due to water leakage.
19. DO NOT insert your hand into the detergent dispenser after opening it. This may result in injury as your hand may be caught.

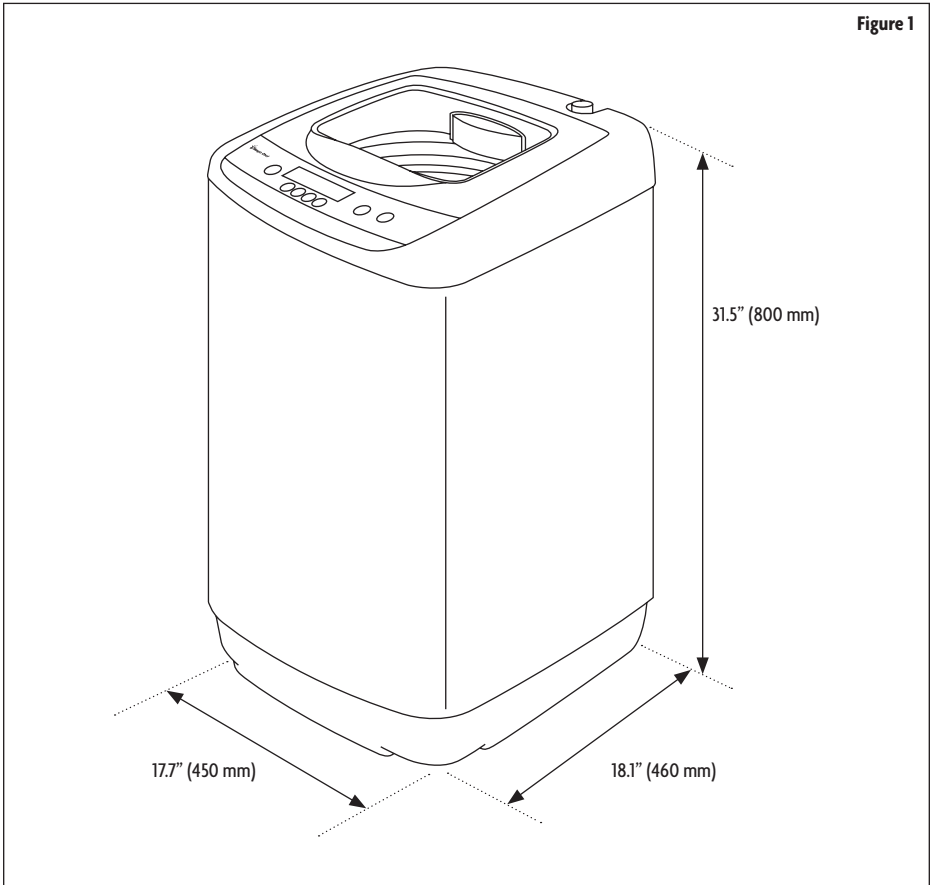


20. DO NOT place any non-laundry objects, such as shoes, food waste, or animals into the washer. This can cause abnormal vibrations that can damage the washer, and, in the case of pets, cause severe injury or death.
21. DO NOT press the buttons using sharp objects such as pins, knives, fingernails, etc. This may result in electric shock or injury.
22. DO NOT wash laundry contaminated by oils, creams, or lotions usually found in skincare shops or massage clinics. This may result in the rubber seal becoming deformed and water leakage.
23. Ensure that the water inlet pipe is connected and the tap is opened before washing clothes.
24. DO NOT leave metal objects (safety pins, hair pins, etc.) or bleach in the tub for long periods of time. This may cause the tub to rust. If rust appears on the surface of the tub, apply a neutral cleansing agent to the surface and use a sponge to clean it. NEVER use a metal brush.
25. DO NOT use hot water from water cooling/heating devices. This may result in problems with the washer.
26. DO NOT use natural hand-washing soap in the washer. If it hardens and accumulates inside the washer, it may cause problems with the product, discoloration, rust, or bad odors.
27. DO NOT wash large laundry items such as bedding in the washing net. Failing to do so may result in injury due to abnormal vibrations. Place smaller items, such as lace socks and lingerie in the washing net.
28. DO NOT use hardened detergent. If it accumulates inside the washer, it may result in water leakage.
29. DO NOT wash throw rugs or doormats. If you wash throw rugs or doormats, the sand will accumulate inside the washer. It may result in error such as no draining.

**SAVE THESE INSTRUCTIONS  
FOR FUTURE REFERENCE**

# SPECIFICATIONS

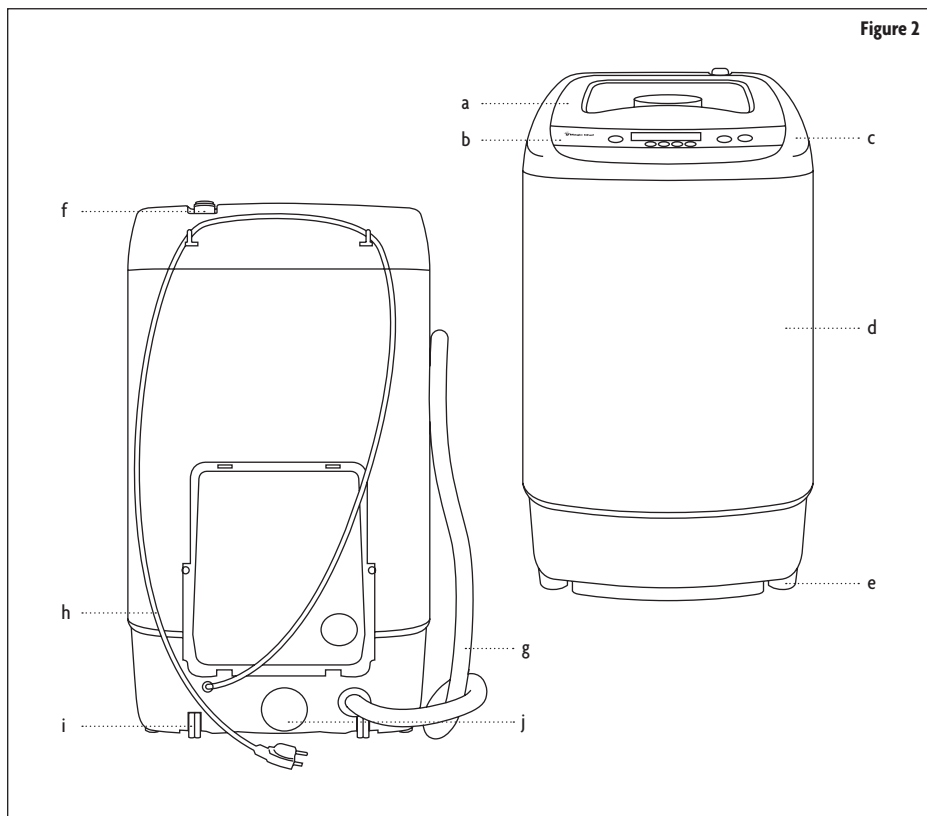
Figure 1



Height	31.5" (800 mm)
Height with the Lid Opened	41.3" (1050 mm)
Width	17.7" (450 mm)
Depth	18.1" (460 mm)
Weight	44 lbs. (20.0 kg)
Capacity	0.9 Cu. Ft.
Power Supply	120 V / 60 Hz
Rated Power Consumption	2.0 A

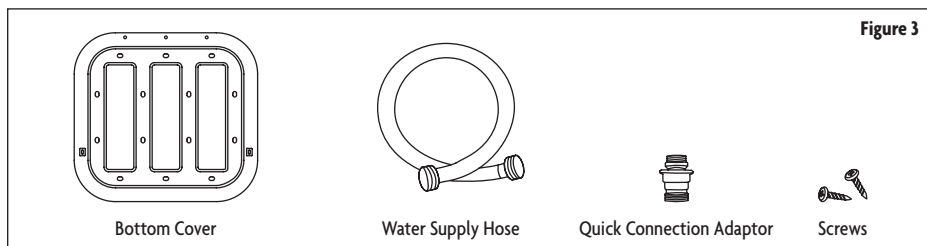
# PARTS AND FEATURES

## PRODUCT PARTS



- |                  |                       |                      |                |
|------------------|-----------------------|----------------------|----------------|
| a. Top Lid       | d. Cabinet            | g. Drain Hose        | j. Pump Filter |
| b. Control Panel | e. Adjustable Leg (1) | h. Power Supply Line |                |
| c. Frame         | f. Water Inlet        | i. Roller (2)        |                |

## ACCESSORIES

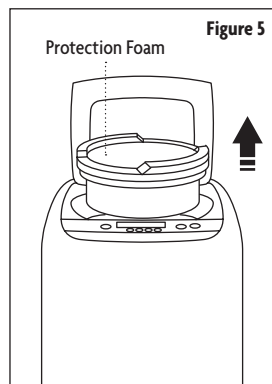
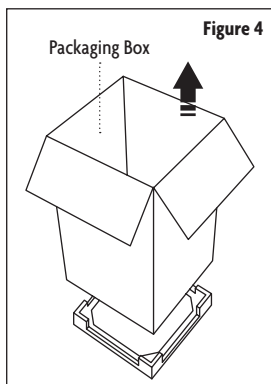


# INSTALLATION INSTRUCTIONS

## UNPACKING AND REMOVING SHIPPING MATERIALS

1. Remove the box packaging by lifting up and away from the base cushion. (Refer to figure 4.)
2. Open the lid of washer to take out all accessories including protection foam. (Refer to Figure 5.)

**▲ WARNING:** Packaging materials can be dangerous to children; Keep all packaging material (plastic bags, polystyrene, etc.) well out of children's reach. Use of washer with the foam cushion is strictly prohibited.



## LOCATION REQUIREMENTS

### Flooring

- For best performance, you must install your washer on a solidly constructed floor. Wood floors may need to be reinforced to minimize vibration and/or unbalanced load situations.
- Carpeting and soft tile surfaces are contributing factors to vibration which can cause your washer to move slightly during the spin cycle.

**▲ WARNING:** DO NOT install your washer in areas where water may freeze, since your washer will always retain some water in its water valve, pump, and hose areas. Frozen water can damage the belts, the pump, hoses, and other components. NEVER install on a platform or weakly supported structure.

### Electric

- Use 120Volt 60Hz 15 Amps fuse or circuit breaker.
- Individual branch circuit serving only for your washer is recommended

**▲ WARNING:** NEVER use an extension cord.

### Grounding

- Electrical grounding is required for this washer.
- This appliance must be grounded. In the event of malfunction or breakdown, grounding will reduce the risk of electric shock by providing a path of least resistance for electric current.
- This appliance is equipped with a power cord having a three-prong grounding plug for use in a properly installed and grounded outlet.
- The plug must be plugged into an appropriate outlet that is properly installed and grounded in accordance with all local codes and ordinances.

**▲ WARNING:** An improperly connected equipment-grounding conductor can increase the risk of electrical shock. Check with a qualified technician if you are not sure whether the appliance is properly grounded. DO NOT modify the plug provided with the appliance. If it does not fit the outlet, have a proper outlet installed by a qualified

technician. To prevent unnecessary risk of fire, electrical shock or personal injury, all wiring and grounding must be done in accordance with the National Electrical Code ANSI/FNPA, No.70 Latest Revision and local codes and ordinances. It is the personal responsibility of the appliance owner to provide adequate electrical service for this appliance.

**▲ WARNING:** NEVER connect the ground wire to plastic plumbing lines, gas lines, or hot water pipes.

### Water

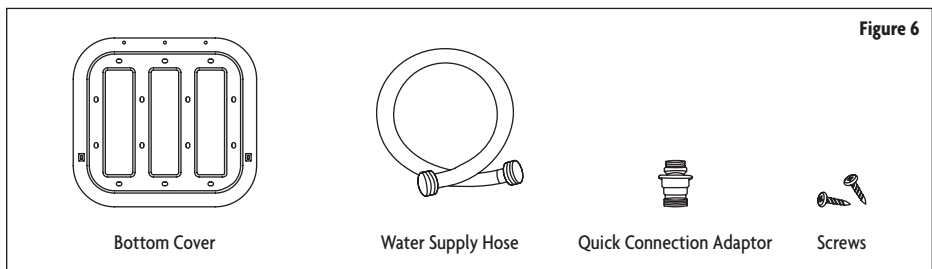
- To correctly fill your washer in the proper amount of time, water pressure of 14 to 70psi (100 to 500 kPa) is required.
- Water pressure less than 14psi may cause water valve failure, or may not allow the water valve to shut off completely, or may extend the fill time beyond what your washer controls allow, causing your washer to turn off and alarm error.
- A time limit is built into the controls to prevent flooding in your home if a hose becomes loose.
- The water faucet must be within 4 feet / 122cm of the back of your washer to match the inlet hoses provided with your washer.
- To avoid the possibility of water damage:
  - Have water faucets easily accessible
  - Turn off faucets when the washer is not in use.
  - Periodically check that there is no leakage from the water inlet hose fittings.

### Drain facility

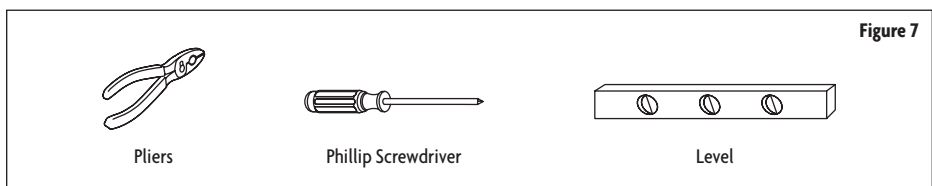
- The recommended height of the standpipe is 35in. or 90cm.
- The drain hose must be routed through the drain hose clip to the standpipe.
- The standpipe must be large enough to accept the outside diameter of the drain hose.

## INSTALLATION

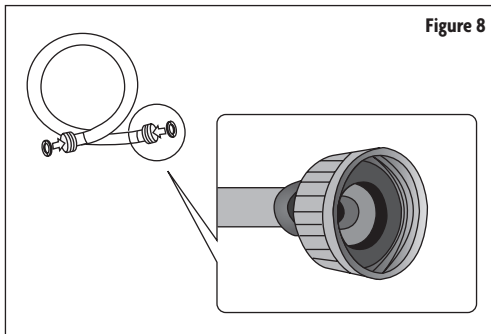
### Accessories Included



### Tools Required



**▲ WARNING:** Before installing, make sure there are rubber gaskets inside the fittings at both ends of the water supply hoses. (Refer to Figure 8.) If there are no water inlet hoses packed with the washer or if the hoses are damaged, call 888-775-0202. Installing the water supply hoses without rubber gaskets can cause water leakage. When you initially install the washer, be sure to use new hoses. Failing to do so may result in a water leakage or overflow and may damage your property. If a hose is too short, replace the hose with a longer, high pressure hose.



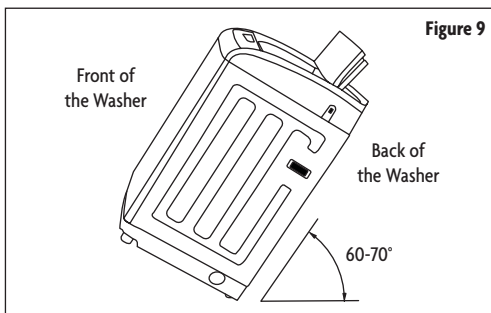
#### Step 1: Move your Washer to Selected Position

Tilt the unit back onto its rear rollers and push it forward as shown in the figure to your right. (Refer to Figure 9.) Move the unit to a location as described in the previous Location Requirements section on page 12.

**▲ WARNING:** Make sure the location has a hard, level surface without carpeting.

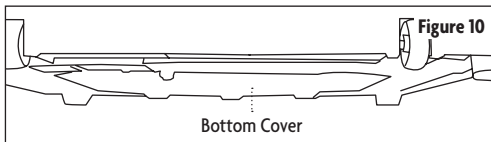
**▲ WARNING:** There should be no direct sunlight.

**▲ WARNING:** DO NOT expose the unit to freezing temperatures (under 32° F or 0° C).



#### Step 2: Install the Bottom Cover

Slide the bottom cover into the slots of the bottom surface and screw in the provided screws. (Refer to Figure 10.)



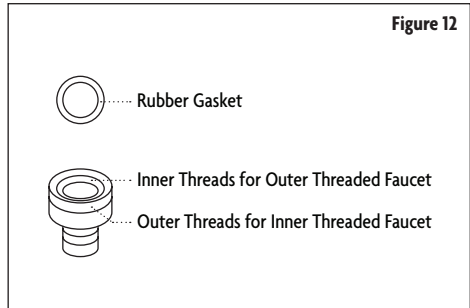
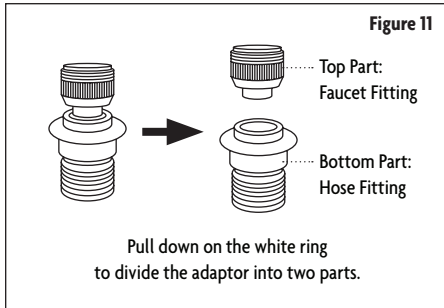
#### Step 3: Connect the Water Hose

1. The Quick Connection Adaptor is primarily for quick connection to a single faucet, such as a typical kitchen sink, in cases where the washer is stored in a different place than where it is used. Skip this step if you are connecting the washer to a sink with separate hot and cold faucets.

The adaptor consists of two parts that quickly connect or disconnect. One part, the faucet fitting, is for connection to the faucet and the other part, the hose fitting, connects to the cold water hose of the washer. (Refer to Figure 11 and 12 on page 16.)

- Pull back on the white ring to free the faucet fitting from the adaptor for installation into the faucet.
- Screw the end of the cold water hose onto the base of the hose fitting.
- If the faucet has internal screw threads, unscrew the aerator if present from the tip of the faucet. Then screw the faucet fitting into the faucet. Make sure that the black rubber gasket is on the top of the adaptor before screwing it in.
- If the faucet has external screw threads, remove the gasket from the top of the faucet fitting, and screw the fitting over the external threads.
- Pull back on the white ring to connect the two parts of the adaptor back together.

**▲ NOTE:** When connected to a single faucet, be sure to only run cold water washers.



2. Connect the ends of the water supply hoses to the COLD water faucet. (Refer to Figure 13.) For convenience, use the Quick Connection Adaptor for connection to the cold water faucet. See instructions for Quick Connection Adaptor Use in Step 1 above.
3. Tighten the fittings by hand until they are snug, and then tighten them an additional two-thirds of a turn with a wrench.

**▲ WARNING:** When you fasten the fittings, DO NOT fasten them too tightly or apply tape or sealant to the faucets or water supply intakes. This can damage the fittings. After you have connected the water supply hoses to the faucets, ensure that they are connected securely by pulling the water supply hoses downwards.

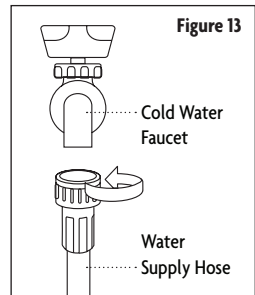
4. Place the unconnected ends of the hoses into a bucket and open the faucets connected to the two water supply hoses for 10 or 15 seconds to remove any foreign substances from the hoses. Close the faucets before continuing.
5. Connect the ends of the water supply hoses to the water supply intake connections at the top of the washer.

**▲ WARNING:** The water hose connected to the COLD faucet must be connected to the cold water supply intake.

6. Tighten the fittings by hand until they are snug, and then tighten them an additional two-thirds of a turn with a wrench.

**▲ WARNING:** Confirm that the water supply hoses are not twisted or bent. If the hoses are twisted or bent, the hoses can leak and cause electric shock due to the water leakage. To ensure the correct water usage, connect the COLD water faucets.

7. Turn on the COLD water supplies and check all the water supply intake and connections the faucets for water leaks.

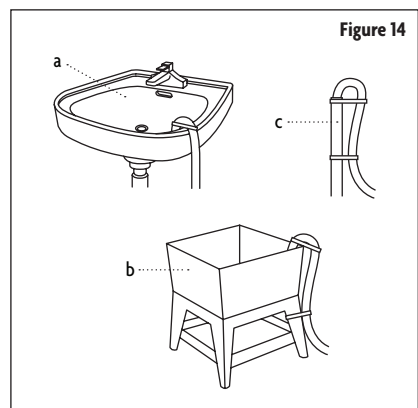


#### Step 4: Connect the Drain Hose

Position the other end of the drain hose. It can be positioned in three ways. (Refer to Figure 14.)

- a. Over the edge of a wash basin. Secure the guide to the side of the basin wall with a hook or to the tap with piece of string to prevent the drain hose from moving.
- b. In a standpipe the standpipe must be no shorter than 32 in. (81cm) and no longer than 39 in. (100cm).
- c. In a laundry tub. The laundry tub must be no shorter than 32 in. (81cm) and no higher than 39 in. (100cm).

**▲ WARNING:** Make sure that the connection between the drain hose and the wash basin, standpipe or laundry tub is not airtight.

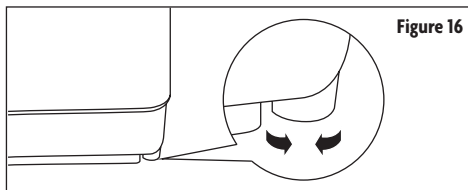
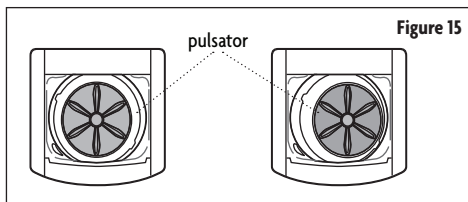


### Step 5: Leveling your washer loosen lock

See if the washer is level by checking the position of the tub or using a leveling gauge.

1. Slide the washer into position.
2. Open the lid of the washer, and pour the water into the tub to just below the pulsator level.
3. If the washer is level, the pulsator is positioned at the center of the washer as shown in the Figure 15. If not, level your washer by turning the front leveling feet clockwise or counterclockwise as necessary. (Refer to Figure 16.)

**▲ WARNING:** There is ONLY ONE adjustable leg as right figure on this washer.



### Step 6: Powering your washer

Plug the power cord into a 3-prong, well-grounded 120 Volt 60Hz approved electrical outlet protected by a 15-amp fuse or comparable circuit breaker. Your washer is grounded through the third prong of the power cord when plugged into a 3-prong grounded electrical outlet.

### Step 7: Running a test cycle

Run a test cycle as follows to check if your washer is properly installed.

1. Place small load of laundry into the tub.
2. Press the Power button to turn on your washer.
3. Select the Rinse + Spin cycle.
4. Press the Start/Pause button to start the test cycle.
5. The washer should not rock or vibrate excessively when water is supplied or when washing or spinning, and should drain well during the spin cycle.

**▲ WARNING:** If water leaks while water is being supplied or drained, check the water connections. If the washer rocks and vibrates excessively, level your washer again.

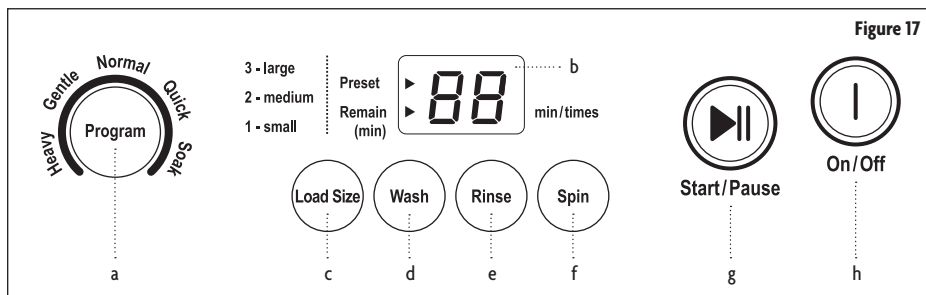
### Step 8: Storing your washer

If you want to store your washer at another location, unplug it, drain any remaining water from the drain pipe and hook the pipe onto the back of the washer. Disconnect the water inlet hoses from the faucets and move washer to new location.



# OPERATION INSTRUCTIONS

## CONTROL PANEL



- a. Program: Press this button to select your desired washing program Heavy (light) - Gentle (light) - Normal (light) - Quick (light) - Soak (light)
- b. Digital display: The digital display will show and count down the estimated minutes for the wash cycle selected.
- c. Load Size: Press this button to set your washing load size. Your water level throughout all steps in the cycle.
- d. Wash: Press the button to select the washing time.
- e. Rinse: Press the button to select the times of rinse.
- f. Spin: Press the button to select the time of spin.
- g. Start/Pause: Press the Start/Pause button once to the start the wash cycle. Press the button during operation to pause the cycle. Press again to continue the cycle.
- h. On/Off: Press the button once to turn on the power of On/Off the washer. Press again to turn off the unit.

## WASHING LOAD OF LAUNDRY

### Step 1: Power on your Washer

Press the On/Off button to power your wash on.

### Step 2: Load your Washer

**▲ WARNING:** Before loading your laundry, be sure to take out coins, keys and other hard objects, and close all zippers to prevent the clothes from damage.

Sort laundry by fabric type, soil level, color and load size as needed. Refer to the Fabric Care Chart in the APPENDIX. You can fill the tub with dry, unfolded clothes, but DO NOT OVERLOAD the tub. Load the tub no more than 3/4 full.

To ensure good cleaning results, DO NOT overload the tub, especially when washing heavily soiled loads. NEVER load the tub more than 3/4 full.

**▲ WARNING:** Overloading may reduce washing efficiency, cause excess wear, and possibly cause creasing or wrinkling of items in the load.

**▲ NOTE:** To add a forgotten item:

1. Press the Start/Pause button to pause the washer.
2. Wait for the tub to stop turning, then open the door.
3. Add the item, close the door, and then press the Start/Pause button. The cycle will resume.

### Step 3: Add detergent

This washer is designed for high efficiency (HE) powder detergent only. Add the recommended amount of detergent directly into basket before starting your washer. The normal amount of detergent to use is 1/4 to 1/2 of the maximum amount recommended by the detergent manufacturer. ALWAYS reduce the amount of detergent if the load is small or lightly soiled, or if your water is very soft. NEVER use more than the maximum amount recommended by the detergent manufacturer.

**▲ WARNING:** NEVER pour any liquid bleach directly onto the load. It can cause fabric damage, such as weakening of cloth fibers or color loss.

### Step 4: Choose the desired washing program

Program	Load Size		Wash Time (about) including soak time	Rinse Times	Final Spin Time	Total Time
	Default	Scope				
Heavy	Large	Sm, Med, Lg	12 min	2	5 min	41 min
Gentle	Large	Sm, Med, Lg	15 min	3	3 min	52 min
Normal	Large	Sm, Med, Lg	12 min	1	5 min	31 min
Quick	Large	Sm, Med, Lg	3 min	1	2 min	19 min
Soak	Large	Sm, Med, Lg	17 min	2	2 min	39 min

1. First, choose the desired washing program.  
Heavy (light) - Gentle (light) - Normal (light) - Quick (light) - Soak (light)
2. Second, select the water level based on a High, Medium or Low load size. Press the Load Size button to change the water level setting.  
3 (large) - 2 (medium) - 1 (Small)
3. Third, user can freely select any combination among Wash, Rinse and Spin modes according to the dirty degree of clothes. Detail operation methods are following: Continuously pressing the washing button to select washing time. (1-20 minutes, or no wash process)
4. Continuously pressing the rinse button to select rinse times. (1-3 times, or no rinse process)
5. Continuously pressing the spin button to select the spin time. (3-9 minutes or no spin process)

### Step 5: Start the cycle

Press the Start/Pause button to start the washing cycle. When the washing cycle begins, the estimated time in minutes for the cycle to complete will show and count down in the digital display. Once the wash/spin cycles are completed the unit will beep and automatically shut off.

**▲ WARNING:** When the washer is running, you should pause the program and wait for the basket stopped completely before you open the door.

### Cancel Wash

To cancel the wash cycle and to remove the remaining water in the tub; turn on and off the unit and place all wash settings to the lowest setting and press start.

**▲ NOTE:** Energy efficiency test program

"Normal" program is the most suitable program to wash normally soiled cotton or linen clothes and is the most efficient program in terms of combined energy and water consumption for washing that type of laundry.

# CARE AND MAINTENANCE

## CLEANING EXTERIOR

Turn off the water faucets after finishing the day's washing. This will shut off the water supply to your washer and prevent the unlikely possibility of damage from escaping water. Leave the lid open to allow the inside of your washer to dry out. Use a soft cloth to wipe up all detergent, bleach or other pills as they occur. Clean the following as recommended: Control Panel - Clean with a soft, damp cloth. DO NOT use abrasive powders or cleaning pads. DO NOT spray cleaners directly onto the panel.

## CLEANING THE INTERIOR

Clean the interior of your washer periodically to remove any dirt, soil, odor, mold, mildew, or bacterial residue that may remain in your washer as a result of washing clothes.

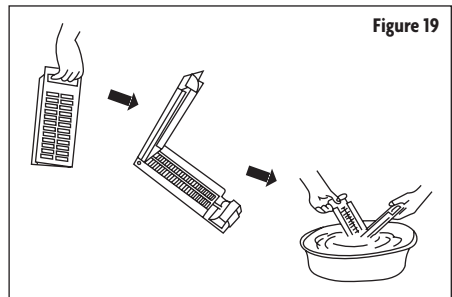
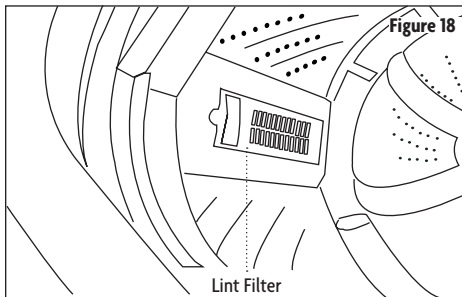
Failure to follow these instructions may result in unpleasant conditions, including odors and/or permanent stains on your washer or laundry. Hard water deposits may be removed, if needed. Use cleaners labeled "Washer safe".

## CLEANING THE TUB

Run an Quick cycle with some bleach every month to clean the tub. This will also help to remove mold which may occur inside the washer.

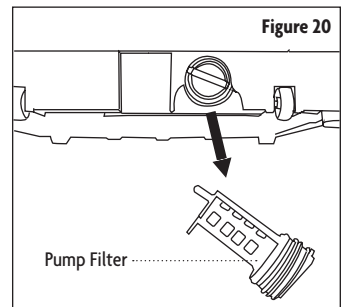
## CLEANING LINT FILTER

There is a built-in lint filter in your washer. It can help to collect lint during washing cycle. It is suggested to clean the lint filter every 10 cycles. Take it out and clean the filter with water. (Refer to Figure 18 and 19.) Then place it back into the washer.



## CLEANING PUMP FILTER

There is a built-in Pump filter in your washer. It can help to protect the pump during washing cycle. It is suggested to clean the lint filter every once every month. It is suggested to clean the pump filter once every month. Take the filter out and clean it with water. Then place it back into the washer.



# TROUBLESHOOTING

Your washing machine is equipped with an automatic error-monitoring system to detect and diagnose problems at an early stage. If your washer does not function properly or does not function at all, check the following before you call for service:

Problem	Possible Causes	Solutions
Thumping sound	Heavy wash loads may produce a thumping sound. Washer load may be out of balance.	This is normal. If sound continues, washer is probably out of balance. Stop and redistribute wash load. Pause the cycle and redistribute the load.
Vibrating noise	Packaging materials were not removed. Wash load may be unevenly distributed in the tub. Not all leveling feet are resting firmly and evenly on the floor. Floor not rigid enough.	See the UNPACKING AND REMOVING SHIPPING MATERIAL section in the installation instructions. Pause the cycle and redistribute the load. See Leveling the Washer in the Installation Instructions. Make sure that the floor is solid and does not flex. See Flooring in the Installation Requirements.
Excessive sudsing	Too much detergent or incorrect detergent.	HE detergents are formulated specifically for High-Efficiency washers and contain suds reducing agents. Only use detergent with the High-Efficiency (HE) logo.
Water leaking	Inlet hose connection is loose at faucet or washer. House drain pipes are clogged. Drain hose has come out of drain or is not inserted far enough. A large item such as a pillow or blanket is above the top of the tub.	Check hoses for leaks, cracks and splits. Check and tighten hose connections. The washer pumps out water very rapidly. Check for water backing up out of the Drain pipe during drain. If water is seen coming out of the drain, check for proper drain hose installation and check for Restrictions in drain. Contact a plumber to repair drain pipe. Tie drain hose to inlet hose or standpipe to prevent it from coming out during drain. For smaller drain pipes, insert the drain hose into the pipe as far as the drain hose flange. For larger drain pipes, insert the drain hose into the pipe 1-2 in. past the flange. Stop the washer and check the load. Make sure the load does not crest above the top edge of the tub.
Rattling and clanking noise	Foreign objects, such as keys, coins, or safety pins, may be in tub or pump.	Stop washer, check tub and drain filter for foreign objects. If noise continues after washer is restarted, call for service.
Wrinkling	Washer not unloaded promptly. Washer overloaded. Hot and cold water inlet hoses are reversed.	ALWAYS remove items from the washer as soon as the cycle is complete. The washer can be fully loaded, but the tub should not be tightly packed with items. The lid of the washer should close easily. Hot water rinse can set wrinkles in garments. Check the inlet hose connections.
Staining	Washer was not unloaded promptly. Clothes were not properly sorted.	ALWAYS remove items from the washer as soon as possible after the cycle is complete. ALWAYS wash dark colors separately from light colors and whites to prevent discoloration. NEVER wash heavily soiled items washed with lightly soiled items.
Wash cycle time is longer than usual	The washer automatically adjusts the wash time for the amount of laundry, water pressure and other operating conditions.	This is normal. The washer adjusts cycle time automatically to provide optimal results for the selected cycle. The time remaining shown in the display is only an estimate. Actual time may vary.

Musty or mildew odor in washer	Incorrect or too much detergent has been used. Inside of tub was not cleaned properly.	Use only High-Efficiency (HE) detergent in accordance with the manufacturer's instructions. Run an Express cycle with bleach once a month to clean tub and remove any mold from inside washer.
--------------------------------	--	--

## ERROR CODES

Error Code	Possible Causes	Solutions
E1	It takes over 30 minutes to fill water but cannot achieve its preset water level.	Check for Washer not filling properly and Water leakage.
E2	The top lid is open.	Close the lid
E3	The washer runs out of balance for three times.	Redistribute the load.
E4	It takes over 10 minutes to drain water but can not drain the washer empty.	Check for Washer will not drain water.
E5	The water fills too much to exceed its preset level.	Call to service center for help.



## LIMITED WARRANTY

MC Appliance Corporation warrants each new Portable Washer to be free from defects in material and workmanship, and agrees to remedy any such defect or to furnish a new part(s), at the company's option, for any part(s) of the unit that has failed during the warranty period. Parts and labor expenses are covered on this unit for a period of one year from the date of purchase. A copy of the dated sales receipt/invoice is required to receive warranty service, replacement or refund.

This warranty covers appliances in use within the contiguous United States, Alaska, Hawaii and Puerto Rico. This warranty does not cover the following:

- Damages due to shipping damage or improper installation.
- Damages due to misuse or abuse.
- Content losses due to failure of the unit.
- Repairs performed by unauthorized service agents.
- Service calls that do not involve defects in material and workmanship such as instructions on proper use of the product or improper installation.
- Replacement or resetting of house fuses or circuit breakers.
- Failure of this product if used for other purposes than its intended purpose.
- Disposal costs for any failed unit not returned to our factory.
- Any delivery/installation costs incurred as the result of a unit that fails to perform as specified.
- Expenses for travel and transportation for product service if your appliance is located in a remote area where service by an authorized service technician is not available.
- The removal and reinstallation of your appliance if it is installed in an inaccessible location or is not installed in accordance with published installation instructions.
- Refunds for non repairable products are limited to the price paid for the unit per the sales receipt.
- This warranty is non transferable. This warranty applies only to the original purchaser and does not extend to any subsequent owner(s).

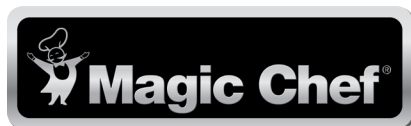
### Limitations of Remedies and Exclusions:

Product repair in accordance with the terms herein, is your sole and exclusive remedy under this limited warranty. Any and all implied warranties including merchantability and fitness for a particular purpose are hereby limited to one year or the shortest period allowed by law. MC Appliance Corporation is not liable for incidental or consequential damages and no representative or person is authorized to assume for us any other liability in connection with the sale of this product. Under no circumstances is the consumer permitted to return this unit to the factory without the prior written consent of MC Appliance Corporation.

Some states prohibit the exclusion or limitation of incidental or consequential damages, or limitations on implied warranties. This warranty gives you specific legal rights, and you may also have other rights which vary from state to state.

Model	Parts	Labor	Type of Service
MCSTCW09W1	One Year	One Year	Carry In

For Service or Assistance please call **888-775-0202** or visit us on the web at [www.mcappliance.com](http://www.mcappliance.com) to request warranty service or order parts.



**CNA International, Inc. d/b/a MC Appliance Corporation. All rights reserved.  
Magic Chef® logo is a registered trademark of CNA International, Inc.**

**[www.mcappliance.com](http://www.mcappliance.com)**

**Printed in China**



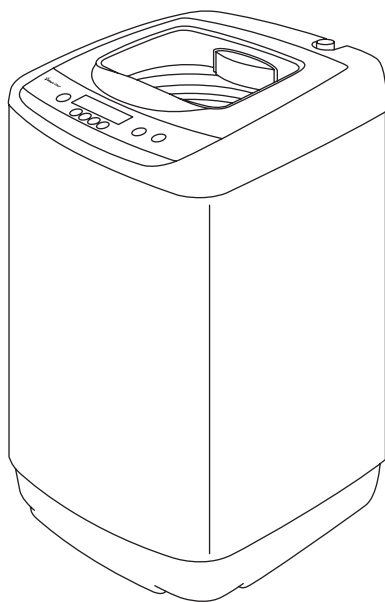




**Magic Chef<sup>®</sup>**

## **0.9 Cu. Ft. Lavadora portátil**

*Manual del usuario*



**Modelo MCSTCW09W1**

**LEA ESTE MANUAL ANTES DE UTILIZAR SU LAVADORA Y GUÁRDELO  
PARA FUTURA REFERENCIA.**



## REGISTRACIÓN DEL PRODUCTO

Gracias por comprar el producto Magic Chef®. El primer paso para proteger su nuevo producto es completar la forma de registración en nuestra pagina web: [www.mcappliance.com/register](http://www.mcappliance.com/register). Los beneficios de registrar su producto incluyen lo siguiente:

1. Al registrar su producto nos permite contactarle para notificarle de un cambio de seguridad o actualización del producto.
2. Si llegara a necesitar servicio bajo garantía, registrando su producto nos permite ser más eficiente en procesar el servicio.
3. En el evento que usted tenga una perdida que esta cubierto por un seguro, registrando su producto puede servir como prueba de su compra.

Una vez más gracias por comprar un producto marca Magic Chef.

# ÍNDICE

REGISTRO DEL PRODUCTO .....	26
PRECAUCIONES .....	28
INSTRUCCIONES DE SEGURIDAD IMPORTANTES .....	29
ESPECIFICACIONES .....	34
PARTES Y FUNCIONES .....	35
INSTRUCCIONES DE INSTALACIÓN .....	36
INSTRUCCIONES DE FUNCIONAMIENTO .....	42
CUIDADO Y MANTENIMIENTO .....	45
SOLUCIÓN DE PROBLEMAS .....	46
GARANTÍA LIMITADA .....	48

# PRECAUCIONES

## EXPLICACIÓN DE LOS SÍMBOLOS

### **▲ ADVERTENCIA**

Peligros o prácticas inseguras que PODRÍAN provocar lesiones personales graves o la muerte.

### **▲ PRECAUCIÓN**

Peligros o prácticas inseguras que PODRÍAN provocar lesiones personales leves.

**▲ ADVERTENCIA:** Lea y comprenda todas las precauciones de seguridad. La inobservancia de todas las instrucciones descritas en este manual del usuario podría resultar en descarga eléctrica, incendio y/o lesiones personales graves. Las advertencias, precauciones e instrucciones planteadas en este manual del usuario no cubren todas las eventuales condiciones y situaciones que podrían suscitarse.

# INSTRUCCIONES DE SEGURIDAD IMPORTANTES

1. Lea todas las instrucciones antes de usar este artefacto.
2. Use este artefacto solo para el propósito para el cual fue hecho según se describe en este manual de usuario.
3. SIEMPRE siga las instrucciones del cuidado de la tela suministradas por el fabricante de la ropa.
4. No lave ni seque artículos que hayan sido limpiados, lavados, enjabonados o se hayan manchado con gasolina, disolventes de limpieza en seco, otras sustancias inflamables o explosivas ya que despiden vapores que podrían encenderse o explotar.
5. No permita que los niños jueguen sobre o en la lavadora. Es necesario supervisar de cerca a los niños cuando la lavadora se use cerca de ellos.
6. Si no está usando su artefacto viejo, recomendamos que retire la puerta o deseche su artefacto viejo adecuadamente siguiendo las ordenanzas legales de su localidad.
7. La puerta de carga de la lavadora debe estar cerrada cuando la tina está girando.
8. No instale o almacene esta lavadora donde vaya a estar expuesta al clima o las temperaturas de congelamiento.
9. No ponga en funcionamiento su artefacto cuando haya piezas faltantes o rotas.
10. No repare ni reemplace cualquier pieza de la lavadora o intente realizar servicio técnico, salvo que esté específicamente recomendado en las instrucciones de cuidado y mantenimiento o publicado en las instrucciones de reparación por el usuario que usted entienda y tenga las habilidades para realizarlas.
11. No añada gasolina, disolventes de limpieza en seco u otras sustancias inflamables o explosivas al agua del lavado. Estas sustancias despiden vapores que podrían encenderse o explotar.
12. Bajo ciertas condiciones, el gas de hidrógeno puede producirse en un sistema de agua caliente que no se haya usado por 2 semanas o más.
13. EL GAS DE HIDRÓGENO ES EXPLOSIVO. Si el sistema de agua caliente no se ha usado por 2 semanas o más, antes de usar una lavadora o la combinación lavadora-secadora, abra todos los grifos de agua caliente y deje que el agua fluya de cada uno por varios minutos. Esto liberará cualquier gas de hidrógeno acumulado. Como el gas es inflamable, no fume o use una llama abierta durante este momento.
14. Mantenga el área debajo y alrededor de su lavadora libre de materiales combustibles (pelusa, papel, trapos, etc.), gasolina, químicos y otros vapores y líquidos inflamables.
15. No coloque objetos expuestos al aceite de cocina en su lavadora. Los objetos contaminados con aceites para cocinar pueden contribuir a una reacción química que puede ocasionar que una carga se incendie.
16. Esta lavadora no está diseñada para instalaciones móviles como casas rodantes, aviones, etc.; es solo para uso doméstico.
17. Cierre los grifos del agua y desconecte la lavadora si la máquina no se va a usar por un largo período de tiempo, como por ejemplo las vacaciones.
18. El material de empacado puede ser peligroso para los niños. ¡Hay riesgo de asfixia! Mantenga todo el empacado lejos de los niños.
19. Siempre revise el interior de la lavadora para ver si hay objetos extraños antes de cargar lo que va a lavar. Mantenga la puerta cerrada cuando no la use.

## **▲ ADVERTENCIA:** Cable de alimentación y enchufe

1. Conecte el cable de alimentación a un enchufe de pared de AC 120V/60Hz calibrado a 15 amperios o superior. Use el enchufe solo para esta lavadora.

2. No use un cable de extensión. Compartir un enchufe de pared con otro artefacto, usar una regleta o extender el cable de alimentación puede causar una descarga eléctrica o un incendio.
3. No use un transformador eléctrico. Puede causar una descarga eléctrica o un incendio.
4. Pida que un técnico calificado o compañía de servicio instale esta lavadora. No hacerlo puede causar una descarga eléctrica, incendio, explosión, problemas con el producto o lesión.
5. Retire todas las sustancias extrañas como polvo o agua de los terminales del conector de corriente o puntos de contacto usando un trapo seco de forma regular. Desenchufe el conector de corriente y límpielo con un trapo seco. No hacerlo puede causar una descarga eléctrica o un incendio.
6. Enchufe el conector de corriente en el enchufe de pared en la dirección correcta de manera que el cable caiga en el suelo. Si enchufa el conector de corriente en el enchufe en la dirección contraria, los alambres eléctricos dentro del cable pueden dañarse y esto puede causar una descarga eléctrica o un incendio.
7. Enchufe firmemente el conector de corriente en el enchufe de pared. No use un conector de corriente dañado o un enchufe de pared suelto. Esto puede causar una descarga eléctrica o un incendio.
8. Nunca desenchufe su artefacto halando el cable de alimentación. Siempre sujete firmemente el conector y hálelo directamente del tomacorriente.
9. No gire o amarre el cable de alimentación.
10. No enganche el cable de alimentación en un objeto metálico, tampoco coloque un objeto pesado sobre el cable, no lo inserte entre objetos ni lo lance hacia el espacio detrás de la lavadora. Esto puede causar una descarga eléctrica o un incendio.
11. Si el conector de corriente o el cable de alimentación están dañados, comuníquese con el centro de servicio más cercano a usted.

#### **▲ ADVERTENCIA: INSTRUCCIONES DE CONEXIÓN A TIERRA**

Este artefacto debe estar conectado a tierra correctamente. En caso de un mal funcionamiento o avería, la conexión a tierra reducirá el riesgo de descarga eléctrica proporcionando un campo de menor resistencia para la corriente eléctrica. Este artefacto está equipado con un cable de alimentación con un conector de tres clavijas para la conexión a tierra. Este conector de tres clavijas debe estar enchufado en un tomacorriente apropiado que esté instalado y puesto a tierra correctamente de conformidad con todos los códigos y ordenanzas locales.

#### **▲ ADVERTENCIA: Instalación**

1. No instale esta lavadora cerca de un calentador o material inflamable.
2. No instale esta lavadora en un lugar húmedo, aceitoso o lleno de polvo, o en un lugar con exposición directa al sol o el agua (gotas de lluvia).
3. No instale esta lavadora en un lugar donde pueda haber fuga de gas. Esto puede causar una descarga eléctrica o un incendio.
4. Si la lavadora va a ser movida a una nueva ubicación, pida que un técnico calificado la revise y reinstale. No seguir esta advertencia puede causar una descarga eléctrica o un incendio.
5. No la instale sobre una alfombra. Instale la lavadora a un nivel y en un piso sólido que pueda aguantar su peso. No hacerlo puede causar vibraciones anormales, ruido o problemas con el producto.
6. La lavadora es pesada. Se pueden necesitar dos o más personas para instalar y mover la lavadora. No hacerlo puede causar lesiones corporales.
7. Almacene e instale la lavadora en un lugar donde no estará expuesta a temperaturas por debajo de la congelación o a condiciones climáticas externas. No hacerlo puede causar grave daño de fuga.
8. Coloque la lavadora de una forma que sea fácil acceder al conector de corriente. No hacerlo puede causar una descarga eléctrica o un incendio debido a la fuga eléctrica.

9. Para reducir el riesgo de lesión a las personas, siga con todas las normas de seguridad recomendadas por la industria. No seguir todas las advertencias de seguridad en este manual puede causar daños a la propiedad o lesiones a las personas.

**▲ ADVERTENCIA:** Uso y mantenimiento

1. Si la lavadora está desbordada, apáguela de inmediato y comuníquese con el centro de servicio más cercano a usted.
2. Si la lavadora emite un ruido extraño, un olor a quemado, o humo, desconéctela de inmediato y comuníquese con el centro de servicio más cercano a usted. No hacerlo puede causar una descarga eléctrica o un incendio.
3. En caso de una fuga de gas (como gas propano o gas licuado de petróleo, etc.), ventile el área de inmediato. No apague ni encienda ningún artefacto o la luz. No use un ventilador. Una chispa puede causar una explosión o un incendio.
4. No lave objetos contaminados con gasolina, kerosene, benceno, disolvente de pintura, alcohol, detergente de lavado al seco u otras sustancias inflamables o explosivas. Esto puede causar una descarga eléctrica, un incendio o una explosión.
5. No abra de manera forzada la tapa de la lavadora mientras esta se encuentra operativa (lavar/secar/ exprimir a alta temperatura). El agua que sale de la lavadora puede causar quemaduras o que el piso se vuelva resbaloso. Esto puede causar lesiones. Abrir la tapa de manera forzada puede dañar el producto o causar lesiones graves.
6. Asegúrese de remover el empaque (esponja, poliestireno extruido) pegado a la parte inferior de la lavadora antes de usarla.
7. No inserte su mano u objetos metálicos debajo de la lavadora. Esto puede causar lesiones.
8. No intente operar esta lavadora si está dañada, no funciona bien, está parcialmente desinstalada, o tiene piezas rotas o faltantes, esto incluye un cable o conector dañado. Esto puede causar una descarga eléctrica, un incendio o la muerte.
9. No toque el conector de corriente con las manos mojadas. Esto puede causar una descarga eléctrica.
10. No apague la lavadora desenchufando el conector de la corriente mientras la lavadora está en funcionamiento. Enchufar de nuevo el conector de corriente en el enchufe de pared puede causar chispas y una descarga eléctrica o un incendio.
11. Mantenga todo el material de empackado bastante lejos del alcance de los niños, ya que los materiales de empackado pueden ser peligrosos para los niños. Para evitar el peligro de asfixia, mantenga todas las bolsas plásticas lejos de los bebés y niños.
12. No deje que los niños o personas con discapacidad usen esta lavadora sin supervisión. No hacerlo puede causar una descarga eléctrica, quemaduras o lesiones.
13. No intente reparar, desensamblar o modificar la lavadora por usted mismo. No use ningún fusible (como cobre, alambre de acero, etc.) distinto al fusible estándar. Si necesita reparar o reinstalar la lavadora, comuníquese con el centro de servicio más cercano a usted. No hacerlo puede causar descarga eléctrica, incendio, problemas con el producto o lesión.
14. Si alguna sustancia extraña, como el agua, entra en la lavadora en cualquier área distinta a la tina, apáguela y desenchufe el conector de la corriente y comuníquese con el centro de servicio más cercano a usted. No hacerlo puede causar una descarga eléctrica o un incendio.
15. Si la manguera de suministro de agua se sale del grifo e inunda la lavadora, apáguela y desenchufe el conector de corriente. No hacerlo puede causar una descarga eléctrica o un incendio.

16. No mezcle blanqueador a base de cloro con amoníaco o ácidos como vinagre. El uso incorrecto puede producir gas venenoso y causar una lesión grave.
17. No busque dentro de la lavadora mientras las piezas se están moviendo. Antes de cargar, descargar o añadir objetos, presione el botón INICIO/PAUSA y deje que la canasta se detenga por completo antes de buscar dentro. No hacerlo puede causar una descarga eléctrica, lesión grave o un incendio.
18. No permita que los niños jueguen sobre o en la lavadora. Es necesario supervisar de cerca a los niños cuando la lavadora se use cerca de ellos. A medida que los niños crecen, enséñeles el uso seguro y apropiado de todos los electrodomésticos. No hacerlo puede causar lesiones graves a las personas.
19. Mantenga los productos de lavandería fuera del alcance de los niños. Lea y siga todas las etiquetas de advertencia del producto, no hacerlo puede causar lesiones graves.
20. Desenchufe esta lavadora del suministro eléctrico antes de intentar cualquier mantenimiento del usuario. Colocar los controles en la posición de APAGADO no desconecta esta lavadora del suministro eléctrico. No hacerlo puede causar una descarga eléctrica, lesión o un incendio.
21. NO enjuague la máquina directamente con agua mientras la limpia.
22. No use benceno, diluyente o alcohol para limpiar la lavadora. Esto puede causar decoloración, deformación, daños, descarga eléctrica o un incendio.

**▲ PRECAUCIÓN:** Uso y mantenimiento

1. Desenchufe el conector de corriente cuando no vaya a usar la lavadora por períodos largos de tiempo o durante una tormenta eléctrica/con truenos. No hacerlo puede causar una descarga eléctrica o un incendio.
2. Mantenga las manos y objetos extraños lejos de la tapa y área de enganche cuando cierre la tapa. No hacerlo puede causar lesiones personales.
3. Si la lavadora está contaminada con una sustancia extraña como detergente, polvo, restos de comida, etc., desenchufe el conector de corriente y limpie la lavadora con un trapo suave y húmedo. No hacerlo puede causar decoloración, deformación, daños u óxido.
4. No coloque objetos pesados en la tapa de la lavadora ya que puede agrietarse o romperse y causar lesiones. Sea cuidadoso al usar la lavadora.
5. Después de una falla en el suministro de agua o al reconectar la manguera de suministro de agua, abra lentamente el grifo.
6. Abra el grifo lentamente después de un largo período sin usarla. La presión de aire en la manguera de suministro de agua o la tubería de agua puede causar daños a una pieza o fuga de agua.
7. Si ocurre un error de drenado durante una operación, verifique si hay un problema de drenaje. Si la lavadora se usa cuando está desbordada por un problema de drenaje, puede causar una descarga eléctrica o un incendio debido a la fuga eléctrica.
8. No inserte su mano u objetos metálicos debajo de la lavadora. Esto puede causar lesiones.
9. Inserte la ropa completamente en la lavadora para que no se quede atrapada en la tapa. Si la ropa se queda atrapada en la tapa, puede causar daños en la ropa o la lavadora, o una fuga de agua.
10. Asegúrese de que el grifo esté cerrado cuando no se use la lavadora. Asegúrese de que los conectores de la manguera de suministro de agua estén ajustados correctamente. No hacerlo puede causar daños a la propiedad o lesiones.
11. Abra el grifo y verifique si el conector de la manguera de suministro de agua está firmemente ajustado y que no haya fuga de agua antes de usar el producto. Si los conectores de la manguera de suministro de agua están flojos, puede causar fuga de agua.

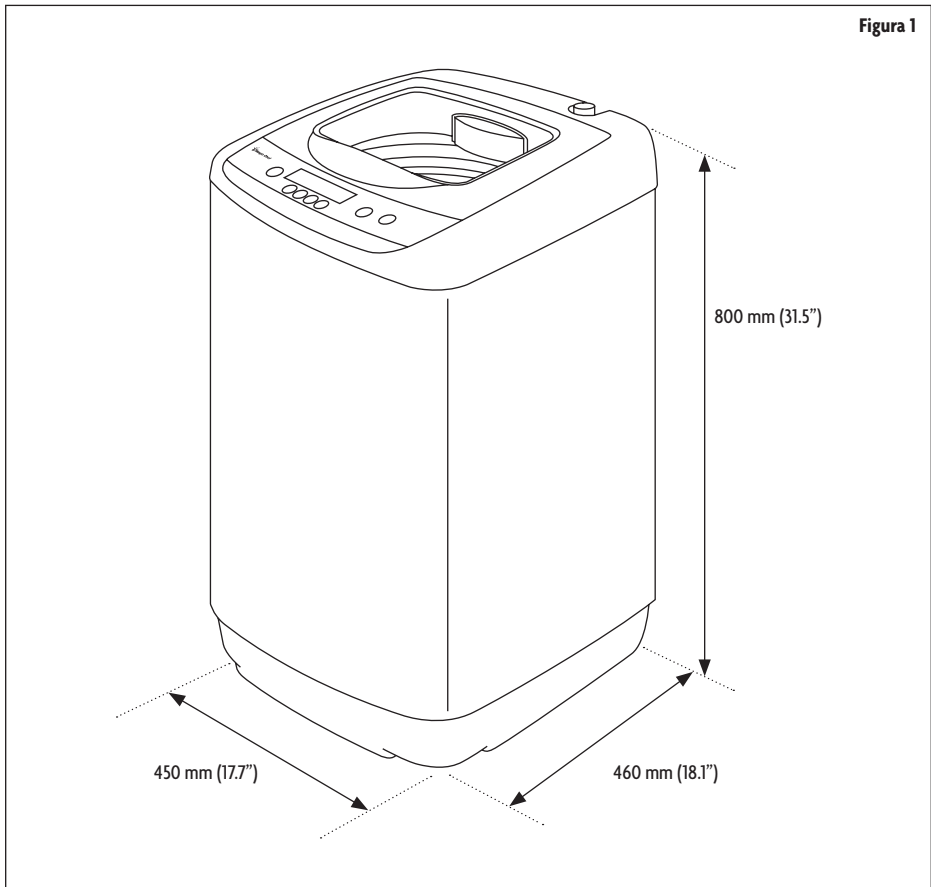


12. No se pare ni coloque objetos en la parte superior de la lavadora (como ropa, velas encendidas, cigarros encendidos, platos, químicos, objetos metálicos, etc.). Esto puede causar descarga eléctrica, incendio, problemas con el producto o lesión.
13. No opere la lavadora con las manos mojadas. Esto puede causar una descarga eléctrica.
14. No rocíe material volátil como insecticida sobre la superficie de la lavadora. Además de ser peligroso para los humanos, esto puede causar descarga eléctrica, incendio o problemas con el producto.
15. No coloque cerca de la lavadora un objeto que genere un campo electromagnético. Esto puede causar lesiones debido al mal funcionamiento.
16. Como el agua drenada durante un ciclo de lavado o secado a alta temperatura está caliente, no toque el agua. Esto puede causar quemaduras o lesiones.
17. No lave, exprima o seque asientos, alfombras o ropa a prueba de agua. No lave alfombras gruesas, fuertes, aun si la marca de la lavadora aparece en la etiqueta de cuidado. Esto puede causar lesiones o daños a la lavadora, paredes, suelo o ropa debido a vibraciones anormales.
18. No opere la lavadora cuando esté removido el dispensador de detergente. Esto puede causar una descarga eléctrica o lesiones debido a una fuga de agua.
19. No introduzca su mano en el dispensador de detergente después de abrirlo. Esto puede causar lesiones ya que su mano puede quedar atrapada.
20. No coloque dentro de la lavadora objetos que no sean ropa, como zapatos, restos de comida o animales. Esto puede causar vibraciones anormales que pueden dañar la lavadora y, en el caso de las mascotas, causar lesiones graves o la muerte.
21. No presione los botones usando objetos filosos como alfileres, cuchillos, uñas, etc. Esto puede causar una descarga eléctrica o lesiones.
22. No lave ropa contaminada con aceites, cremas o lociones que normalmente se encuentran en tiendas de cuidado de la piel o clínicas de masaje. Esto puede causar la deformación del sello de caucho y fuga de agua.
23. Asegúrese de que la tubería de entrada de agua esté conectada y la llave esté abierta antes de lavar ropa.
24. No deje objetos metálicos (como alfileres de seguridad, pinzas del cabello, etc.) o blanqueador en la tina por largos períodos de tiempo. Esto puede oxidar la tina. Si aparece óxido en la superficie de la tina, aplique un limpiador neutro a la superficie y use una esponja para limpiarla. Nunca use un cepillo de metal.
25. Nunca use agua caliente de dispositivos enfriadores/calentadores de agua. Esto puede causar problemas con la lavadora.
26. No use en la lavadora jabón natural para lavarse las manos. Si se endurece y acumula dentro de la lavadora, puede causar problemas con el producto, decoloración, óxido o malos olores.
27. No lave ropas grandes como sábanas en la red de lavado. Hacer esto puede causar lesiones debido a vibraciones anormales. Coloque objetos más pequeños, como medias de encaje y ropa interior en la red de lavado.
28. No use detergente endurecido. Si se acumula dentro de la lavadora, puede causar fugas de agua.
29. No lave alfombras pequeñas o tapetes de la puerta. Si lava alfombras pequeñas o tapetes de la puerta, se acumulará arena dentro de la lavadora. Esto puede causar errores como falta de drenaje.

## GUARDE ESTAS INSTRUCCIONES PARA FUTURAS REFERENCIAS

# ESPECIFICACIONES

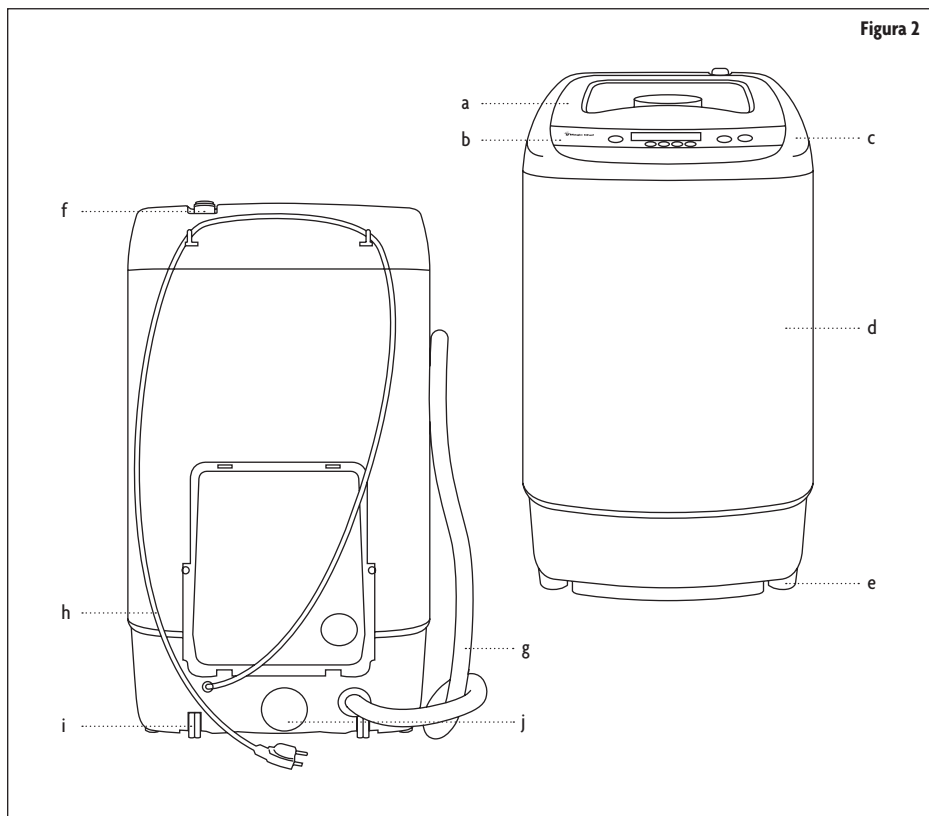
Figura 1



Altura	800 mm (31.5")
Altura con la tapa abierta	1050 mm (41.3")
Ancho	450 mm (17.7")
Profundidad	460 mm (18.1")
Peso	20.0 kg (44 lbs.)
Capacidad	0.9 Cu. Ft.
Suministro eléctrico	120 V / 60 Hz
Consumo promedio de energía	2.0 A

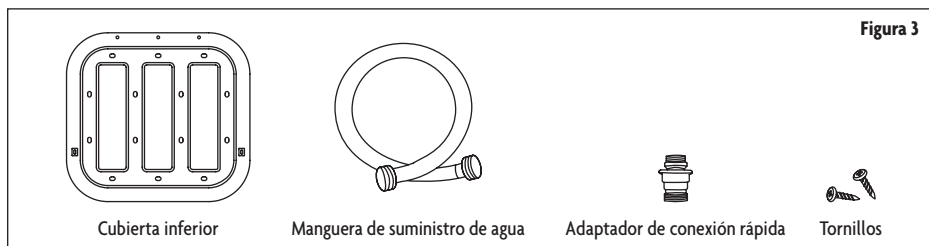
# PARTES Y FUNCIONES

## PARTES DEL PRODUCTO



- |                     |                       |                                  |                     |
|---------------------|-----------------------|----------------------------------|---------------------|
| a. Tapa superior    | d. Cabina             | g. Manguera de drenaje           | i. Rodillo (2)      |
| b. Panel de control | e. Pata ajustable (1) | h. Línea de suministro eléctrico | j. Filtro de bombeo |
| c. Marco            | f. Entrada de agua    |                                  |                     |

## ACCESORIOS

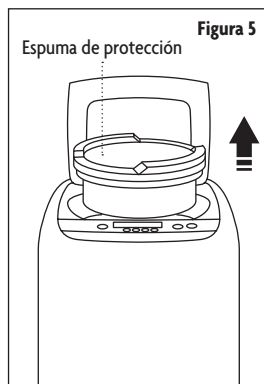
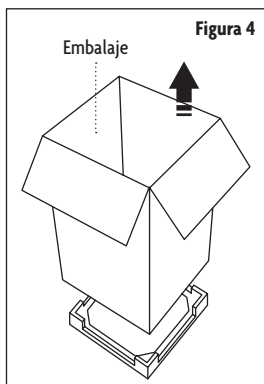


# INSTRUCCIONES DE INSTALACIÓN

## DESEMPACAR Y REMOVER LOS MATERIALES DE ENVÍO

1. Retire el embalaje levantándolo fuera de la base envolvente. (Vea la figura 4).
2. Abra la tapa de la lavadora para sacar todos los accesorios, incluso la espuma de protección. (Vea la figura 5).

**▲ ADVERTENCIA:** Los materiales de embalaje pueden ser peligrosos para los niños; mantenga todo el material de embalaje (bolsas de plástico, poliestireno, etc.) bien lejos del alcance de los niños. Está terminantemente prohibido usar la lavadora con la espuma envolvente.



## REQUERIMIENTOS DE UBICACIÓN

### Suelo

- Para un mejor funcionamiento, debe instalar su lavadora en un piso de construcción sólida. Los pisos de madera pueden necesitar refuerzo para reducir la vibración y/o situaciones de desbalance de carga.
- Las superficies alfombradas y con cerámica son factores que contribuyen a la vibración, lo que puede causar que su lavadora se mueva ligeramente durante el ciclo de exprimido.

**▲ ADVERTENCIA:** No instale su lavadora en áreas donde el agua puede congelarse, ya que su lavadora siempre retendrá algo de agua en sus áreas de válvula, bomba y manguera de agua. El agua congelada puede dañar las correas, la bomba, mangueras y otros componentes. Nunca la instale sobre una plataforma o estructura de soporte débil.

### Electricidad

- Use un fusible o interruptor de 120Volt 60Hz de 15 Amperios.
- Se recomienda un circuito de derivación individual solo para su lavadora

**▲ ADVERTENCIA:** NUNCA use un cable de extensión.

### Conexión a tierra

- Se requiere una conexión eléctrica a tierra para esta lavadora.
- Este artefacto debe estar conectado a tierra. En caso de un mal funcionamiento o avería, la conexión a tierra reducirá el riesgo de descarga eléctrica proporcionando un campo de menor resistencia para la corriente eléctrica.
- Este artefacto está equipado con un cable de alimentación con un conector de tres clavijas para usarlo en una conexión instalada y puesta a tierra correctamente.
- El conector debe estar enchufado en un tomacorriente apropiado que esté instalado y puesto a tierra correctamente de conformidad con todos los códigos y ordenanzas locales.

**▲ ADVERTENCIA:** Un conductor a tierra de un equipo conectado inapropiadamente puede aumentar el riesgo

de descarga eléctrica. Verifique con un técnico calificado si no está seguro de que el artefacto esté conectado a tierra adecuadamente. No modifique el conector suministrado con el artefacto. Si no se ajusta al tomacorriente, pida que un técnico calificado instale un tomacorriente adecuado. Para evitar el riesgo innecesario de incendio, descarga eléctrica o lesiones personales, todo el cableado y puesta a tierra debe hacerse conforme a la última revisión del Código Eléctrico Nacional del Instituto Nacional Estadounidense de Estándares/Asociación Nacional de Protección de Incendios (American National Standards Institute/National Fire Protection Association, PANSI/FNPA), N° 70 y los códigos y ordenanzas locales. Es responsabilidad personal del propietario del artefacto suministrar el servicio eléctrico adecuado para el mismo.

**▲ ADVERTENCIA:** Nunca conecte el cable de tierra a tuberías de plástico, líneas de gas o tuberías de agua caliente.

### Agua

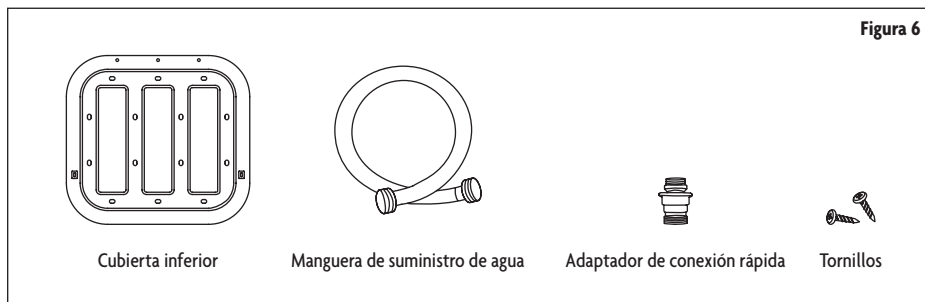
- Para llenar correctamente su lavadora en el tiempo adecuado, se requiere una presión de agua de 14 a 70psi (100 a 500 kPa).
- Una presión de agua menor a 14 psi puede causar fallas en la válvula de agua, o no dejar que la válvula de agua se desactive por completo, o puede extender el tiempo de llenado más allá de lo que permiten los controles de su lavadora, causando que su lavadora se apague y señale un error.
- Se establece un límite de tiempo en los controles para evitar inundaciones en su casa si se suelta una manguera.
- El grifo del agua debe ser de 4 pies/122 cm de la parte posterior de su lavadora para que se ajusten a las mangueras de entrada provistas con su lavadora.
- Para evitar la posibilidad de daños por agua:
  - Los grifos de agua deben ser de fácil acceso
  - Cierre los grifos cuando no se use la lavadora.
  - Revise periódicamente que no haya fugas de los sujetadores de la manguera de entrada de agua.

### Instalación de drenaje

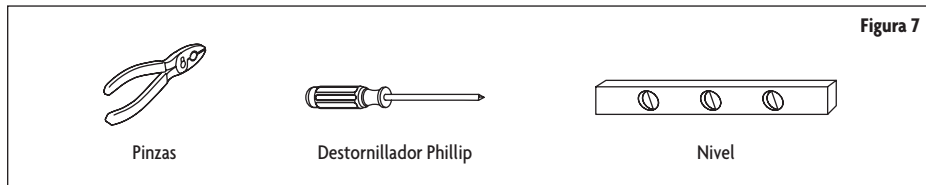
- La altura recomendada del tubo vertical es de 35 pulgadas o 90 cm.
- La manguera de drenaje debe estar dirigida a través del sujetador de la manguera de drenaje hasta el tubo vertical.
- El tubo vertical debe ser lo suficientemente amplio para aceptar el diámetro externo de la manguera de drenaje.

## INSTALACIÓN

### Accesorios incluidos



## Herramientas requeridas



**▲ ADVERTENCIA:** Antes de instalar, asegúrese de que hay juntas de goma dentro de los sujetadores a ambos extremos de las mangueras de suministro de agua. (Vea la figura 8). Si no hay mangueras de entrada de agua empacadas con la lavadora o si las mangueras están dañadas, llame al 888-775-0202. Instalar las mangueras de suministro de agua sin las juntas de goma puede causar fugas de agua. Cuando instale la lavadora por primera vez, asegúrese de usar mangueras nuevas. No hacerlo puede causar fugas de agua o sobrecarga y puede dañar su propiedad. Si una manguera es muy corta, reemplace la manguera con una manguera más larga de alta presión.

### Paso 1: Mueva su lavadora a la posición seleccionada

Incline la unidad hacia atrás sobre sus ruedas traseras y empujela hacia adelante como se muestra en la figura que está a su derecha. (Vea la figura 9). Mueva la unidad a la ubicación según lo descrito en la sección anterior Requerimientos de Ubicación en la página 36.

**▲ ADVERTENCIA:** Asegúrese de que la ubicación tiene una superficie nivelada, dura, sin alfombras.

**▲ ADVERTENCIA:** No debe haber luz solar directa.

**▲ ADVERTENCIA:** No exponga la unidad a temperaturas de congelación (debajo de 32°F o 0°C).

### Paso 2: Instale la cubierta inferior

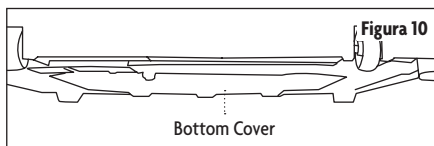
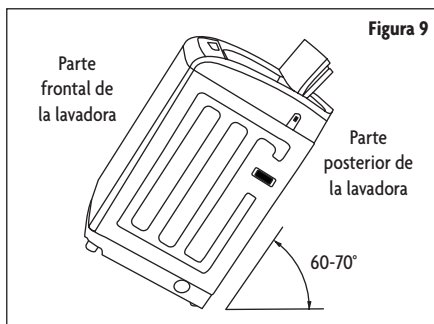
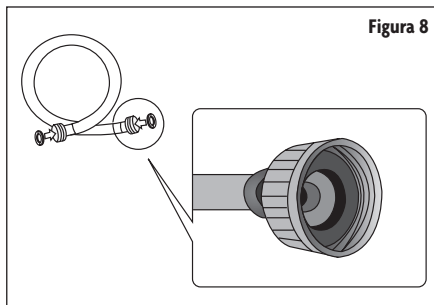
Deslice la cubierta inferior en las ranuras de la superficie inferior y atornille en las roscas provistas. (Vea la figura 10).

### Paso 3: Conecte la manguera de agua

1. El Adaptador de Conexión Rápida es principalmente para una conexión rápida a un grifo sencillo, como un lavadero normal, en casos en los que la lavadora se almacene en un lugar distinto al que se usa. Salte este paso si va a conectar la lavadora a un lavadero con grifos separados de agua caliente y fría.

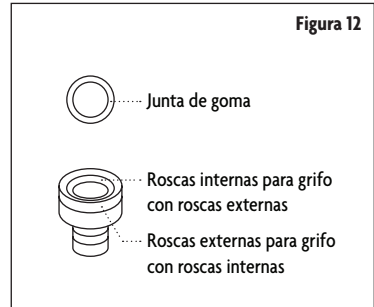
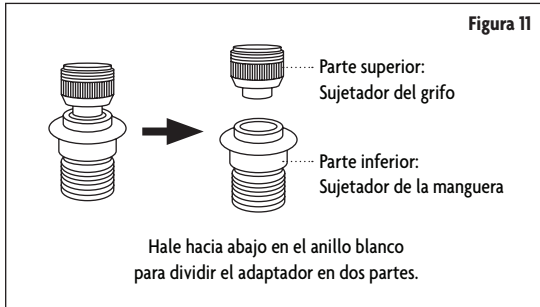
El adaptador consta de dos partes que se conectan o desconectan rápidamente. Una parte, el sujetador del grifo, es para conectarse al grifo y la otra parte, el sujetador de la manguera, conecta la manguera de agua fría de la lavadora. (Vea la figura 11 y la 12 en la página 39).

- Hale hacia atrás el anillo blanco para liberar el sujetador del grifo del adaptador de instalación dentro del grifo.
- Enrosque el extremo de la manguera de agua fría en la base del sujetador de la manguera.



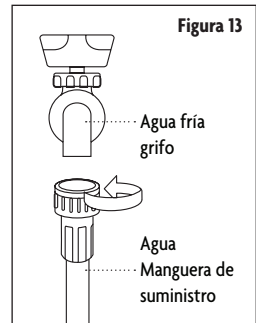
- Si el grifo tiene roscas internas, desenrosque el aireador si está presente desde la punta de la llave. Luego enrosque el sujetador del grifo en el grifo. Asegúrese de que la junta de goma negra esté en la parte superior del adaptador antes de enroscarlo.
- Si el grifo tiene roscas externas, remueva la junta desde la parte superior del ajuste del grifo y enrosque el adaptador en las roscas externas.
- Hale hacia atrás el anillo blanco para volver a conectar las dos partes del adaptador.

**▲ NOTA:** Cuando se conecta a una sola llave de agua, asegúrese de que solamente corra el agua fría.



2. Conecte los extremos de las mangueras de suministro de agua al grifo de agua FRÍA. (Vea la figura 13). Para comodidad, use el Adaptador de Conexión Rápida para conectarse al grifo de agua fría. Vea las instrucciones de Uso del Adaptador de Conexión Rápida arriba en el Paso 1.
3. Apriete los sujetadores con la mano hasta que estén ajustados y luego apriételos dos tercios adicionales de una vuelta con una llave de tuerca.

**▲ ADVERTENCIA:** Cuando apriete los sujetadores, no los apriete demasiado ni aplique cinta o sellador a los grifos o a las entradas de suministro de agua. Esto puede dañar los sujetadores. Después de que haya conectado las mangueras de suministro de agua a los grifos, asegúrese de que estén conectados de manera segura halando hacia abajo las mangueras de suministro de agua.



4. Coloque los extremos no conectados de las mangueras en un balde y abra los grifos conectados a las dos mangueras de suministro de agua por 10 a 15 segundos para remover cualquier sustancia de las mangueras. Cierre los grifos antes de continuar.
5. Conecte los extremos de las mangueras de suministro de agua a las conexiones de entrada de suministro de agua en la parte superior de la lavadora.

**▲ ADVERTENCIA:** La manguera de agua conectada al grifo FRÍO debe estar conectada a la entrada de suministro de agua fría.

6. Apriete los sujetadores con la mano hasta que estén ajustados y luego apriételos dos tercios adicionales de una vuelta con una llave de tuerca.

**▲ ADVERTENCIA:** Confirme que las mangueras de suministro de agua no estén entorchadas o dobladas. Si las mangueras están entorchadas o dobladas, las mangueras pueden tener fugas y causar descarga eléctrica debido a la fuga de agua. Para garantizar el uso correcto del agua, conecte los grifos de agua FRÍA.

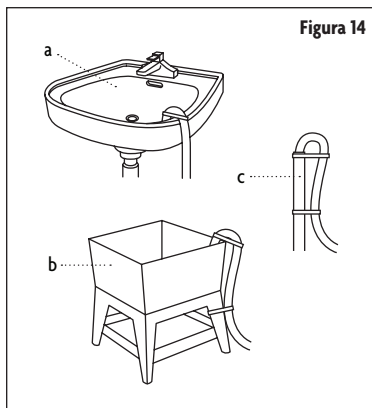
7. Abra los suministros de agua FRÍA y revise toda la entrada de suministro de agua y las conexiones de los grifos en busca de fugas.

#### Paso 4: Conecte la manguera de drenaje

Ubique el otro extremo de la manguera de drenaje. Puede ubicarse de tres maneras. (Vea la figura 14).

- a. Sobre el borde de un lavabo. Asegure la guía al lado de la pared del lavabo con un gancho o en la punta con una pieza de cuerda para evitar que la manguera de drenaje se mueva.
- b. En un tubo vertical, el tubo debe medir entre 32 pulgadas (81 cm) y no más de 39 pulgadas (100 cm).
- c. En una tina de lavandería. La tina de lavandería debe medir entre 32 pulgadas (81 cm) y no más de 39 pulgadas (100 cm).

**▲ ADVERTENCIA:** Asegúrese de que la conexión entre la manguera de drenaje y el lavabo, el tubo vertical o tina de lavandería no sea hermética.

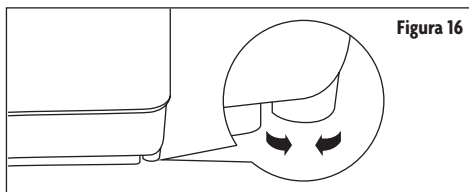
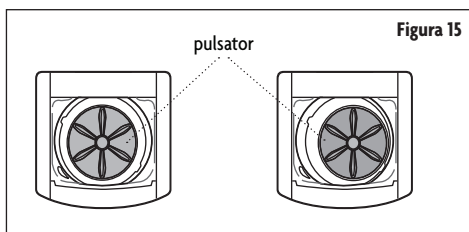


#### Paso 5: Nivelar la puerta suelta de su lavadora

Vea si la lavadora está nivelada revisando la posición de la tina o usando un medidor de nivel.

1. Deslice la lavadora en posición.
2. Abra la tapa de la lavadora y vierta el agua en la tina justo por debajo del nivel del pulsador.
3. Si la lavadora está nivelada, el pulsador está colocado en el centro de la lavadora como se muestra en la figura 15. Si no lo está, nivele su lavadora girando las patas niveladoras a la derecha o a la izquierda según sea necesario. (Vea la figura 16).

**▲ ADVERTENCIA:** Hay SOLO UNA pata ajustable como figura correcta en esta lavadora.



#### Paso 6: Encender su lavadora

Enchufe el cable de alimentación en un tomacorriente eléctrico aprobado de 3 clavijas, bien conectado a tierra, de 120 Volt 60Hz, protegida por un fusible de 15 amperios o circuito comparable. Su lavadora está conectada a tierra a través de la tercera clavija del cable de alimentación cuando está enchufada en un tomacorriente eléctrico de 3 clavijas conectado a tierra.

#### Paso 7: Activar un ciclo de prueba

Active un ciclo de prueba de la siguiente manera para verificar que su lavadora esté instalada correctamente.

1. Coloque una pequeña carga de ropa en la tina.
2. Presione el botón Encendido para encender su lavadora.
3. Seleccione el ciclo de Enjuagar + Exprimir.
4. Presione el botón Inicio/Pausa para iniciar el ciclo de prueba.
5. La lavadora no debe sacudirse o vibrar de forma excesiva cuando se está suministrando el agua o cuando está lavando o exprimiendo, y debe drenar bien durante el ciclo de exprimir.

**▲ ADVERTENCIA:** Si el agua se fuga mientras es suministrada o drenada, revise las conexiones de agua. Si la lavadora se sacude o vibra en exceso, nivele de nuevo su lavadora.

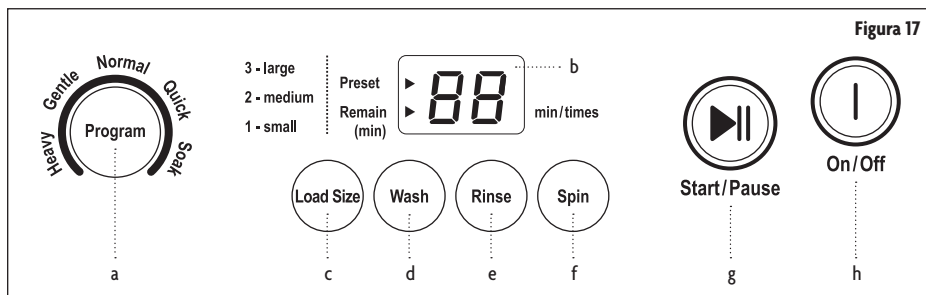


#### Paso 8: Almacenar su lavadora

Si desea almacenar su lavadora en otro lugar, desenchúfela, drene cualquier agua restante del tubo de drenaje y enganche el tubo en la parte posterior de la lavadora. Desconecte las mangueras de entrada de agua de los grifos y mueva la lavadora a otro lugar.

# INSTRUCCIONES DE FUNCIONAMIENTO

## PANEL DE CONTROL



- Programa: Presione este botón para seleccionar el programa de lavado de su preferencia Fuerte (luz) - Delicado (luz) - Normal (luz) - Rápido (luz) - Remojo (luz)
- Pantalla digital: La pantalla digital mostrará y hará el conteo regresivo de los minutos estimados para el ciclo de lavado seleccionado.
- Tamaño de la carga: Presione este botón para seleccionar el tamaño de la carga de su lavado. Su nivel de agua en todos los pasos del ciclo.
- Lavar: Presione el botón para seleccionar el tiempo de lavado.
- Enjuagar: Presione el botón para seleccionar los tiempos de enjuague.
- Exprimir: Presione el botón para seleccionar el tiempo de exprimido.
- Inicio/Pausa: Presione el botón Inicio/Pausa para iniciar el ciclo de lavado. Presione el botón durante el funcionamiento para pausar el ciclo. Presione de nuevo para continuar el ciclo.
- Encendido/Apagado: Presione el botón una vez para encender la lavadora. Presione de nuevo para apagar la unidad.

## LAVAR UNA CARGA DE ROPA

### Paso 1: Encender su lavadora

Presione el botón Encendido/Apagado para encender su lavadora.

### Paso 2: Cargar su lavadora

**▲ ADVERTENCIA:** Antes de cargar su ropa, asegúrese de sacar monedas, llaves y otros objetos duros, y cierre todas las cremalleras para evitar que las ropas se dañen.

Seleccione la ropa por tipo de tela, nivel de suciedad, color y tamaño de carga según sea necesario. Consulte la Tabla de Cuidado de Telas en el APÉNDICE. Puede llenar la tina con ropa seca, sin doblar, pero NO SOBRECARGUE la tina. Cargue la tina hasta que esté llena a 3/4 de capacidad.

Para garantizar buenos resultados de lavado, no sobrecargue la tina, en especial cuando lave cargas muy sucias. Nunca llene la tina más de 3/4 de capacidad.

**▲ ADVERTENCIA:** El exceso de carga puede reducir la efectividad del lavado, causar desgaste en exceso y posiblemente puede causar pliegues o arrugas en los artículos de la carga.

**▲ NOTA:** Para añadir un artículo olvidado:

1. Presione el botón Inicio/Pausa para pausar la lavadora.
2. Espere que la tina deje de girar, luego abra la puerta.
3. Añada el artículo, cierre la puerta y luego presione el botón Inicio/Pausa. El ciclo se reanudará.

### Paso 3: Añadir detergente

Esta lavadora está diseñada solo para detergente en polvo de alta eficiencia (High Efficiency, HE). Añada la cantidad de detergente recomendada directamente a la canasta antes de iniciar su lavadora. La cantidad normal a usar de detergente es 1/4 a 1/2 de la cantidad máxima recomendada por el fabricante del detergente. Siempre reduzca la cantidad de detergente si la carga es pequeña o está ligeramente sucia, o si su agua es muy suave. Nunca use más de la cantidad máxima recomendada por el fabricante del detergente.

**▲ ADVERTENCIA:** Nunca vierta ningún líquido blanqueador directamente sobre la carga. Puede causar daños en la tela, como el debilitamiento de las fibras de la tela o pérdida de color.

### Paso 4: Elegir el programa de lavado deseado

Programa	Tamaño de la Carga		Tiempo de lavado (aproximado) incluye el tiempo de remojo	Tiempos de enjuague	Tiempo de exprimido final	Tiempo total
	Defecto	Alcance				
Fuerte	Grande	Pequeño, Mediano, Grande	12 minutos	2	5 min	41 min
Delicado	Grande	Pequeño, Mediano, Grande	15 minutos	3	3 min	52 min
Normal	Grande	Pequeño, Mediano, Grande	12 minutos	1	5 min	31 min
Rápido	Grande	Pequeño, Mediano, Grande	3 minutos	1	2 min	19 min
Remojo	Grande	Pequeño, Mediano, Grande	17 minutos	2	2 min	39 min

1. Primero, elija el programa de lavado deseado.  
Fuerte (luz) - Delicado (luz) - Normal (luz) - Rápido (luz) - Remojo (luz)
2. Segundo, seleccione el nivel de agua basado en un tamaño de carga Alto, Mediano o Bajo. Presione el botón Tamaño de la Carga para cambiar la configuración del nivel de agua.  
3 (grande) - 2 (mediana) - 1 (pequeña)
3. Tercero, el usuario puede seleccionar libremente cualquier combinación entre los modos Lavar, Enjuagar y Exprimir de acuerdo con el grado de suciedad de las prendas de ropa. Los métodos de funcionamiento detallados son los siguientes: Presione continuamente el botón de lavar para seleccionar el tiempo de lavado. (1 - 20 minutos, o sin proceso de lavado)
4. Presione continuamente el botón de enjuagar para seleccionar los tiempos de enjuagado. (1 - 3 veces, o sin proceso de enjuagado)
5. Presione continuamente el botón de exprimir para seleccionar el tiempo de exprimido. (3 - 9 minutos o sin proceso de exprimido)

### Paso 5: Iniciar el ciclo

Presione el botón Inicio/Pausa para iniciar el ciclo de lavado. Cuando comience el ciclo de lavado, la pantalla digital mostrará y hará el conteo regresivo del tiempo estimado en minutos para completar el ciclo. Una vez que se hayan completado los ciclos de lavado/exprimido, la unidad sonará y se apagará automáticamente.

**▲ ADVERTENCIA:** Cuando la lavadora esté funcionando, usted debe pausar el programa y esperar que la canasta se detenga por completo antes de abrir la puerta.

#### Cancelar el lavado

Para cancelar el ciclo de lavado y remover el agua restante de la tina; encienda y apague la unidad y coloque todas las configuraciones de lavado en las más bajas y presione iniciar.

**▲ NOTA:** Programa de prueba de eficiencia de energía

El programa "Normal" es el programa más adecuado para lavar ropa de algodón o de lino normalmente sucia y es el programa más eficiente en términos de consumo combinado de energía y agua para lavar ese tipo de ropa.

# CUIDADO Y MANTENIMIENTO

## LIMPIEZA EXTERIOR

Cierre los grifos de agua después de terminar el lavado del día. Esto cortará el suministro de agua a su lavadora y evitará la remota posibilidad de daños por la fuga de agua. Deje la tapa abierta para permitir que se seque el interior de su lavadora. Use un trapo suave para remover todo el detergente, blanqueador u otros derrames a medida que ocurren. Limpie lo siguiente según lo recomendado: Panel de control - limpie con un trapo suave y húmedo. No use polvos abrasivos o almohadillas de limpieza. No rocíe limpiadores directamente sobre el panel.

## LIMPIAR EL INTERIOR

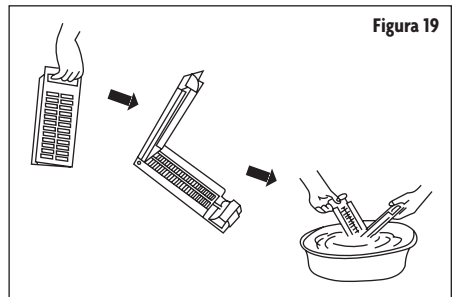
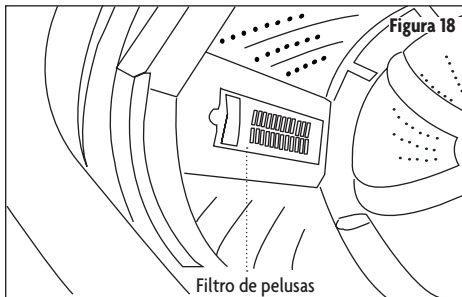
Limpie el interior de su lavadora periódicamente para eliminar cualquier residuo de suciedad, tierra, olor, moho, hongos o bacterias que pueda permanecer en su lavadora como consecuencia del lavado de ropa. No seguir estas instrucciones puede causar condiciones desagradables, incluyendo olores y/o manchas permanentes en su lavadora o ropa; se pueden remover grandes depósitos de agua, de ser necesario. Use limpiadores etiquetados como "seguro para lavadora".

## LIMPIAR LA TINA

Ponga en marcha un ciclo Rápido con algo de blanqueador cada mes para limpiar la tina. Esto también ayudará a remover el moho que pueda formarse dentro de la lavadora.

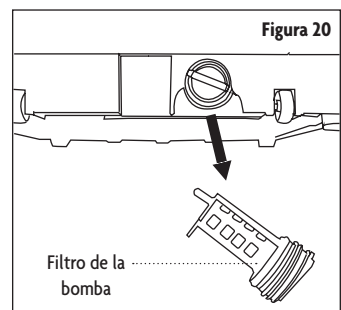
## LIMPIAR EL FILTRO DE PELUSAS

There is a built-in lint filter in your washer. It can help to collect lint during washing cycle. It is suggested to clean the lint filter every 10 cycles. Take it out and clean the filter with water. (Refer to Figure 18 and 19.) Then place it back into the washer.



## LIMPIAR EL FILTRO DE LA BOMBA

Hay un filtro de Bomba instalado en su lavadora. Puede ayudar a proteger la bomba durante el ciclo de lavado. Se sugiere limpiar el filtro de pelusas una vez al mes. Se sugiere limpiar el filtro de la bomba una vez al mes. Saque el filtro y límpielo con agua. Luego colóquelo de nuevo en la lavadora.



# RESOLUCIÓN DE PROBLEMAS

Su lavadora está equipada con un sistema automático de monitoreo de errores para detectar y diagnosticar problemas en una etapa inicial. Si su lavadora no funciona correctamente o no funciona en absoluto, verifique lo siguiente antes de que llame a servicio técnico:

Problema	Posibles causas	Soluciones
Sonido de palpitación	Lavar cargas pesadas puede producir un sonido de palpitación. La carga de la lavadora puede estar fuera de balance.	Esto es normal. Si el sonido continúa, es posible que la lavadora esté fuera de balance. Deténgala y redistribuya la carga de lavado. Pause el ciclo y redistribuya la carga.
Ruido vibrante	No se removieron los materiales del embalaje. La carga de lavado puede estar distribuida de forma dispereja en la tina. No todas las patas niveladoras están descansando de forma firme y uniforme sobre el suelo. El suelo no es lo suficientemente rígido.	Vea la sección DESEMPACAR Y REMOVER LOS MATERIALES DE ENVÍO en las instrucciones de instalación. Pause el ciclo y redistribuya la carga. Vea Nivelar la Lavadora en las Instrucciones de Instalación. Asegúrese de que el piso sea sólido y no se doble. Vea Suelo en los Requerimientos de Instalación.
Exceso de espuma	Demasiado detergente o detergente incorrecto.	Los detergentes HE está formulados específicamente para lavadoras de alta eficiencia y contienen agentes que reducen la espuma. Solo use detergente con el logotipo de alta eficiencia (HE).
Fuga de agua	La conexión de la manguera de entrada está suelta en el grifo o la lavadora. Las tuberías de la manguera de drenaje están obstruidas. La manguera de drenaje se ha salido del drenaje o no está insertada lo suficientemente lejos. Un objeto grande como una almohada o cobija está encima de la parte superior de la tina.	Revise las mangueras en busca de fugas, grietas y rupturas. Revise y apriete las conexiones de la manguera. La lavadora bombea el agua muy rápido. Revise para ver si el agua se devuelve fuera de la tubería del drenaje durante el drenado. Si ve el agua salir del drenaje, revise para ver que la manguera de drenaje esté instalada correctamente y revise las Restricciones del drenaje. Contacta a un plomero para que repare la tubería de drenaje. Ate la manguera de drenaje a la manguera de entrada o tubo vertical para evitar que se salga durante el drenado. Para tuberías pequeñas de drenaje, inserte la manguera de drenaje en la tubería tan lejos como la pestaña de la manguera de drenaje. Para tuberías grandes de drenaje, inserte la manguera de drenaje en la tubería de 1-2 pulgadas después de la pestaña. Detenga la lavadora y revise la carga. Asegúrese De que la carga no sobresalga del borde superior de la tina.
Ruido mecánico y ruido de cadenas	Objetos extraños como llaves, monedas o alfileres de seguridad, puede estar en la tina o la bomba.	Detenga la lavadora, revise la tina y el filtro de drenaje para ver si hay objetos extraños. Si el ruido continúa después de reiniciar la lavadora, llame a servicio técnico.
Arrugas	La lavadora no se descargó de inmediato. La lavadora está sobrecargada. Las mangueras de entrada de agua fría y caliente están invertidas.	Siempre remueva artículos de la lavadora tan pronto como se complete el ciclo. La lavadora puede estar totalmente llena, pero la tina no debe estar repleta de artículos. La tapa de la lavadora debe cerrar con facilidad. Enjuagar con agua caliente puede formar arrugas en la ropa. Revise las conexiones de la manguera de entrada.

Manchas	La lavadora no se descargó de inmediato. No se seleccionó la ropa apropiadamente.	Siempre remueva artículos de la lavadora lo más pronto posible después de que se complete el ciclo. Siempre lave la ropa de colores oscuros separados de la de colores claros y de la ropa blanca para evitar la decoloración. Nunca lave artículos muy sucios con aquellos que están ligeramente sucios.
El tiempo del ciclo de lavado es más largo de lo usual	La lavadora automáticamente ajusta el tiempo de lavado para la cantidad de ropa, presión del agua y otras condiciones de funcionamiento.	Esto es normal. La lavadora ajusta automáticamente el tiempo del ciclo para brindar resultados óptimos para el ciclo seleccionado. El tiempo restante que se muestra en pantalla es solo un estimado. El tiempo real puede variar.
Olor a moho o humedad en la lavadora	Se utilizó demasiado detergente o el detergente incorrecto. El interior de la tina no fue limpiado correctamente.	Use solo detergente de alta eficiencia (HE) de conformidad con las instrucciones del fabricante. Active el ciclo Expreso con blanqueador una vez al mes para limpiar la tina y remover cualquier moho dentro de la lavadora.

## CÓDIGOS DE ERROR

Código de error	Posibles causas	Soluciones Solutions
E1	Toma más de 30 minutos surtir el agua pero no llega a su nivel de agua preestablecido.	Revise para ver por qué la lavadora no se llena correctamente y si hay fuga de agua.
E2	La tapa superior está abierta.	Cierre la tapa.
E3	La lavadora pierde el balance tres veces.	Redistribuya la carga.
E4	Toma más de 10 minutos en drenar el agua pero la lavadora no queda vacía.	Revise por qué la lavadora no drena el agua.
E5	La lavadora se llena demasiado hasta exceder su nivel preestablecido.	Llame al centro de servicio por ayuda.



## GARANTÍA LIMITADA

MC Appliance Corporation garantiza que todas las Lavadora carecen de defectos en el material y la mano de obra y acuerda solucionar cualquiera de estos defectos o instalar la(s) parte(s) nueva(s) (a elección de la compañía) en caso de que la unidad haya fallado durante el periodo de garantía. Las partes y gastos de reparación están cubiertos en esta unidad por un periodo de un año a partir de la fecha de compra. Es necesario presentar una copia del recibo o factura de compra con fecha para obtener los servicios de la garantía, el reemplazo o el reembolso.

Esta garantía cubre los aparatos que se usen dentro de los Estados Unidos contiguos, Alaska, Hawái y Puerto Rico. La garantía no cubre lo siguiente:

- Daños debido al daño del envío o a la instalación incorrecta.
- Daños debido al mal uso o abuso.
- Pérdidas de contenido debido a falla de la unidad.
- Las reparaciones se realizaron por los agentes desautorizados del servicio.
- Llamadas de servicio que no implican defectos en material y la ejecución tal como instrucción en el uso apropiado del producto o de la instalación incorrecta.
- Reemplazo o reajuste de los fusibles o de los interruptores de la casa.
- Falla de este producto si se usa con fines distintos a los que fue diseñado.
- Costes de la disposición de unidades falladas no vueltas a nuestra fábrica.
- Todos los gastos de entrega/instalación incurridos como resultado de una unidad que no cumple con lo especificado.
- Gastos de viajes y el transporte de los productos principales de servicio si su aparato está situado en una zona remota donde el servicio por un técnico de servicio no está disponible.
- La remoción y reinstalación de su gran aparato, si está instalado en un lugar inaccesible o no está instalado de conformidad con las instrucciones de instalación publicadas.
- Restituciones por productos no reparables se limita al precio pagado por la unidad por el recibo de compra.
- Esta garantía es intransferible. Esta garantía es válida exclusivamente para el comprador original y no se extiende a ningún otro propietario o propietarios subsiguientes.

### Limitaciones de remedios y exclusiones:

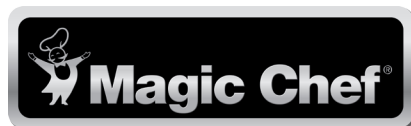
La reparación del producto de acuerdo con los términos de este documento, es el único y exclusivo remedio determinado en esta garantía limitada. Todas y cada una de las garantías implicadas, incluyendo la calidad de comerciable y capacidad para un propósito particular, se limitan mediante la presente a un año o el periodo más corto permitido por la ley. MC Appliance Corporation no es responsable por daños incidentales ni resultantes y ningún representante o persona alguna están autorizados para asumir de parte nuestra ninguna otra responsabilidad en relación con la venta de este producto. Bajo ninguna circunstancia se le permite al consumidor regresar esta unidad a la fábrica sin consentimiento previo por escrito de MC Appliance Corporation.

Algunos estados prohíben la exclusión o limitación por daños incidentales o resultantes, o limitaciones en las garantías implícitas. Esta garantía le otorga a usted derechos legales específicos, y usted puede también tener otros derechos que varían según la entidad federal/va donde se encuentre.

Modelo	Piezas	Trabajo	Tipo de servicio
MCSTCW09W1	Uno año	Uno año	Lleve adentro

Para servicio o asistencia, llame por favor al **888-775-0202**. O visítenos en [www.mcappliance.com](http://www.mcappliance.com) para solicitar el servicio de garantía o repuestos.





**CNA International, Inc. realiza negocios bajo el nombre de MC Appliance Corporation. Derechos reservados.**

**El logotipo Magic Chef® es una marca registrada de CNA International, Inc.**

**[www.mcappliance.com](http://www.mcappliance.com)**

**Impreso en China**