

# MAAX SUBMITTAL SPECIFICATIONS

## Rubix 6632

**MODEL NUMBER 105735**

DIMENSIONS: 66" x 32" x 18" Acrylic



Vivez l'expérience

# MAAX®

Enjoy the experience

### STANDARD FEATURES

- Narrow end decks, long bathing well and smooth bottom
- Cubic design
- Integrated flat apron and tiling flange (single)
- Right or left drain
- Alcove installation

### OPTIONS

- Waste and overflow (included in product packaging)
- Foam pillow

### UNIQUE FEATURES

- Tiling Flange

### SYSTEMS

- None

### DOOR SELECTION

Combine with MAAX's complete shower door offering visit [www.maax.com](http://www.maax.com)

Project : .....  
Contractor : .....  
MAAX Representative : ..... Tel : .....  
Date : .....

### CERTIFICATIONS

Maax products adhere to one or more of the following certifications:



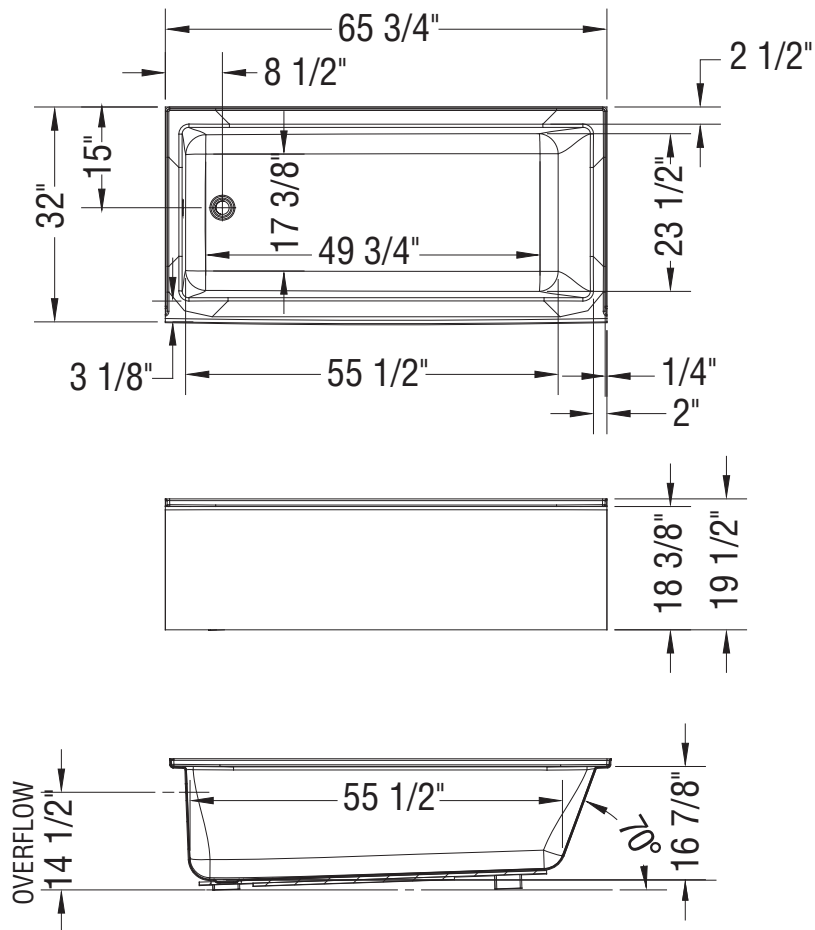
# MAAX SUBMITTAL SPECIFICATIONS

Vivez l'expérience  
**MAAX**<sup>®</sup>  
Enjoy the experience

## Rubix 6632

MODEL NUMBER 105735

### TECHNICAL DRAWINGS



All dimensions are approximate. Structure measurements must be verified against the unit to ensure proper fit.