

MAAX SUBMITTAL SPECIFICATIONS

Rectangular Base 4832 (Single Threshold, Center Drain), LOW Threshold (3" Height)

MODEL NUMBER 101433

DIMENSIONS: 47 3/4" x 32 1/8" x 3" Acrylic



Project :
Contractor :
MAAX Representative : Tel :
Date :

www.maax.com

Vivez l'expérience
MAAX[®]
Enjoy the experience

STANDARD FEATURES

- Available in 5 or low 3 inch height; textured bottom
- Walls with convenient foot rest, designed to be easier to clean
- Easy front installation of the walls with snap clips
- Deflecting strip preventing water penetration behind the shower
- Alcove installation

OPTIONS

- None

UNIQUE FEATURES

- None

SYSTEMS

- None

DOOR SELECTION

Combine with MAAX's complete shower door offering visit www.maax.com

CERTIFICATIONS

Maax products adhere to one or more of the following certifications:



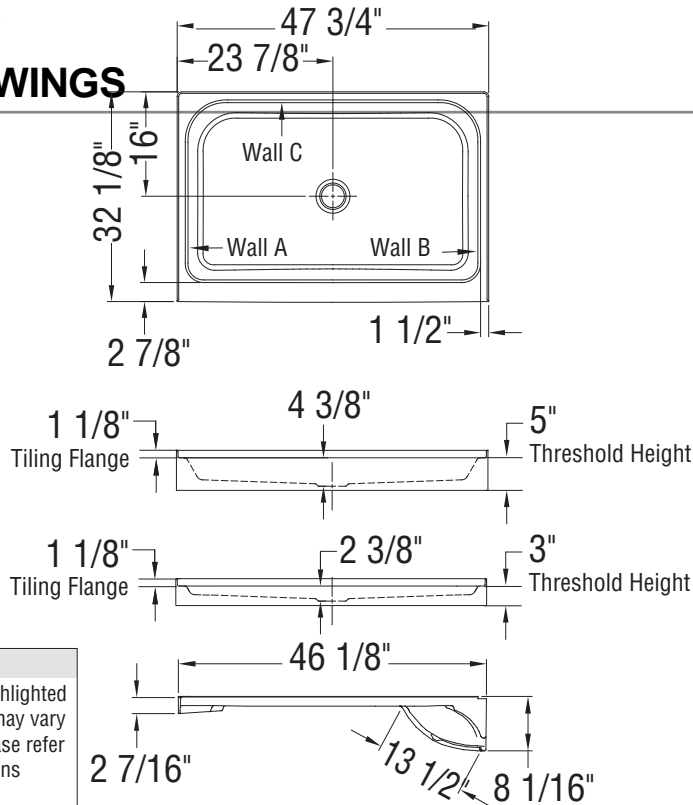
2014-05-30

MAAX SUBMITTAL SPECIFICATIONS

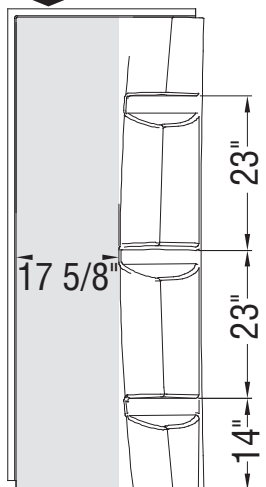
**Rectangular Base 4832
 (Single Threshold, Center
 Drain), LOW Threshold (3"
 Height)**

MODEL NUMBER 101433

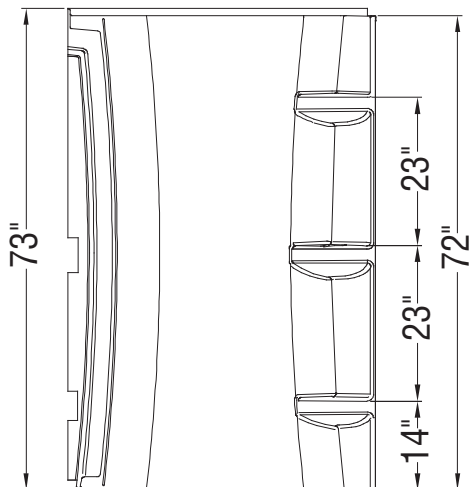
TECHNICAL DRAWINGS



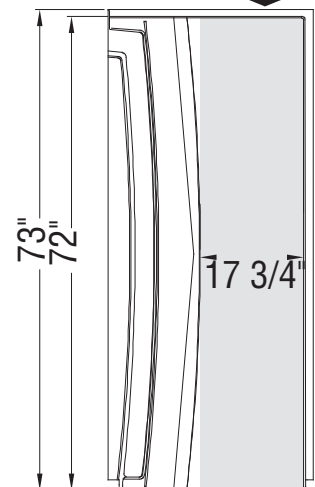
Important
 Center your plumbing in the highlighted area. Exact plumbing position may vary upon model specifications, please refer to the supplier's instructions for more details



Wall A



Wall C



Wall B

All dimensions are approximate. Structure measurements must be verified against the unit to ensure proper fit.