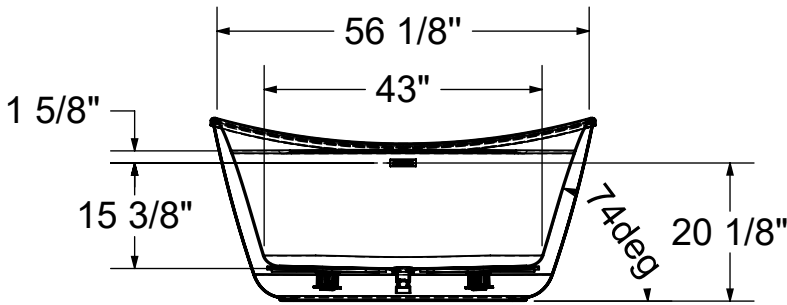
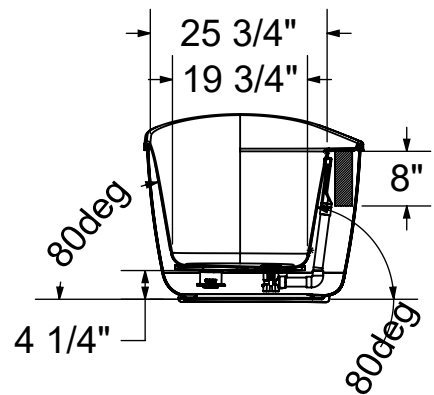



23"



15 3/8"



() Recommended faucet area 1 section of 14 1/2" (L) x 2 7/8" (W).  
Depth recommended for straight pipes 8".

**All dimensions are approximate. Structure measurements must be verified against the unit to ensure proper fit.**