




LYNX



Chef Donatella Arpaia is a celebrated culinary figure and a master of the outdoor kitchen.

WELCOME TO LYNX	3
PROFESSIONAL PERFORMANCE	4
ENGINEERED FOR OUTDOORS	5
QUALITY YOU CAN FEEL	6
SEAMLESS WELDED CONSTRUCTION	7
DESIGN SERVICES	8-9
LYNX SMART SERIES	10-17
FEATURES AND BENEFITS	20
TECHNOLOGY AND QUALITY HIGHLIGHTS	21-24
CERAMIC BURNER	25
LYNX ALL TRIDENT GRILLS	26-27
54" PROFESSIONAL GRILL - BUILT-IN	28
42" PROFESSIONAL GRILL - BUILT-IN	29
36" PROFESSIONAL GRILL - BUILT-IN	30
30" PROFESSIONAL GRILL - BUILT-IN	31
27" PROFESSIONAL GRILL - BUILT-IN	32
PROFESSIONAL GRILLS: FREESTANDING	33-34
MOBILE KITCHEN BY LYNX	35
FLAMETRAK GRILL	36-37
ASADO BY LYNX	40-41
NAPOLI OUTDOOR OVEN BY LYNX	42-45
LEISURE MEETS LUXURY	46
PROFESSIONAL SIDE BURNERS / POWER BURNER	47
REFRIGERATORS / BEVERAGE DISPENSER / TOWER HEADS	48-49
WINE CELLAR / REFRIGERATOR / OUTDOOR ICE MACHINE	50-51
WARMING DRAWERS	52-53
SINKS / FAUCETS / COCKTAIL PRO STATION	54-55
VENTANA STORAGE COLLECTION	56
VENTANA TRASH CENTERS AND CHUTE	57
VENTANA STORAGE SYSTEM / ACCESS DOORS	58
VENTANA SEALED PANTRY / UTILITY DRAWERS	59
PROFESSIONAL STORAGE SOLUTIONS	60-63
OUTDOOR HEATERS	66
ACCESSORIES / VENT HOODS	67
COOKING ACCESSORIES	68
GRILL AND ACCESSORY COVERS	69
SPECIFICATIONS AND INSTALLATION	70-73
LYNX LIMITED WARRANTY	74
CONNECT WITH US ONLINE	75

Lynx is committed to providing the best customer experience and product service possible. We have a dedicated team of highly trained professionals to answer your needs Monday–Friday during regular business hours.

For technical questions or service please e-mail: service@lynxgrills.com or call: 888.289.5969

The outdoors is our home. It's also our speciality—we're experts at it. And while the world's greatest grill will always be our flagship, we've applied the Lynx philosophy and outstanding workmanship to the whole collection of outdoor products and accessories—from refrigerators to warming drawers.

Lynx's complete line of outdoor kitchen products combines advanced proprietary technologies and refined features that you can use to design your own outdoor cooking center.



PROFESSIONAL PERFORMANCE

Professional chefs take pride in the sense of style a kitchen conveys. They also appreciate the innovative and thoughtful conveniences that help make cooking a pleasure. Lynx Professional Grills distinguish your home's outdoor kitchen with their luxurious appearance and superior construction while their advanced, user-friendly features simplify the preparation of memorable meals.

Building on a heritage of equipping high-end commercial kitchens, Lynx Professional Grills have seamless, welded exteriors that are easier to keep clean. The Lynx Hood Assist technology makes lifting and lowering the hood effortless and safe. Additionally, you'll find conveniences such as halogen lighting that covers the entire grilling surface and control knobs brilliantly lit by blue LEDs—ensuring that your investment in outdoor entertaining will prove rewarding for years to come.

ENGINEERED FOR OUTDOORS

Serious outdoor chefs expect more from a high-performance grill than just impressive heat output. The ability to control heat so you can cook with finesse matters too. So do the many other details that help achieve great results. Lynx Professional Grills are built to live up to the most demanding expectations.

You'll find lifetime warranties on our equipment whose designs are based on commercial requirements. Ceramic radiant briquettes that evenly distribute heat and Trident infrared technology with unique instantaneous temperature adjustment raises from simmer to sear with its 23,000 BTU per burner. Corrosion-resistant, 16-gauge 304 stainless steel alloys withstand long-term exposure to the elements. Whenever you're ready to grill outdoors, a Lynx Professional Grill is ready for you.





QUALITY YOU CAN FEEL

Touch and mechanical perfection are important to us at Lynx.

Run your fingers over one of our grills. Feel the flawless metal. Feel the seamless, polished welds. Note the lack of screws and the absence of sharp edges.

Now lift the grill hood. You can do it with a single finger. It weighs nearly 40 pounds, but thanks to the Lynx Hood Assist that employs perfectly positioned springs to achieve a seesaw-like balance, the hood opens and closes with a feather touch.



SEAMLESS WELDED CONSTRUCTION

Instead of using mechanical fasteners, our craftsmen construct Lynx products with continuously welded joints, forming precision pieces into a solitary, integrated body of gorgeous steel, free of gaps and seams where moisture and grease can collect.

This makes cleaning a lot easier, enhances durability and helps create Lynx's stop-you-in-your-tracks good looks for an unmistakable, tangible feel of absolute premium quality.

— A GREAT —
**DESIGN
CHANGES
EVERYTHING**



COMPLIMENTARY DESIGN
Get Started Today.

Visit the Lynx Design Center
www.lynxgrills.com/designservice | designservice@lynxgrills.com

LYNX SMART SERIES

How do you get even more delicious results from the outdoor products that already set the standard for quality and technology? You endow them with the ability to offer the benefits of expert cooking guidance.

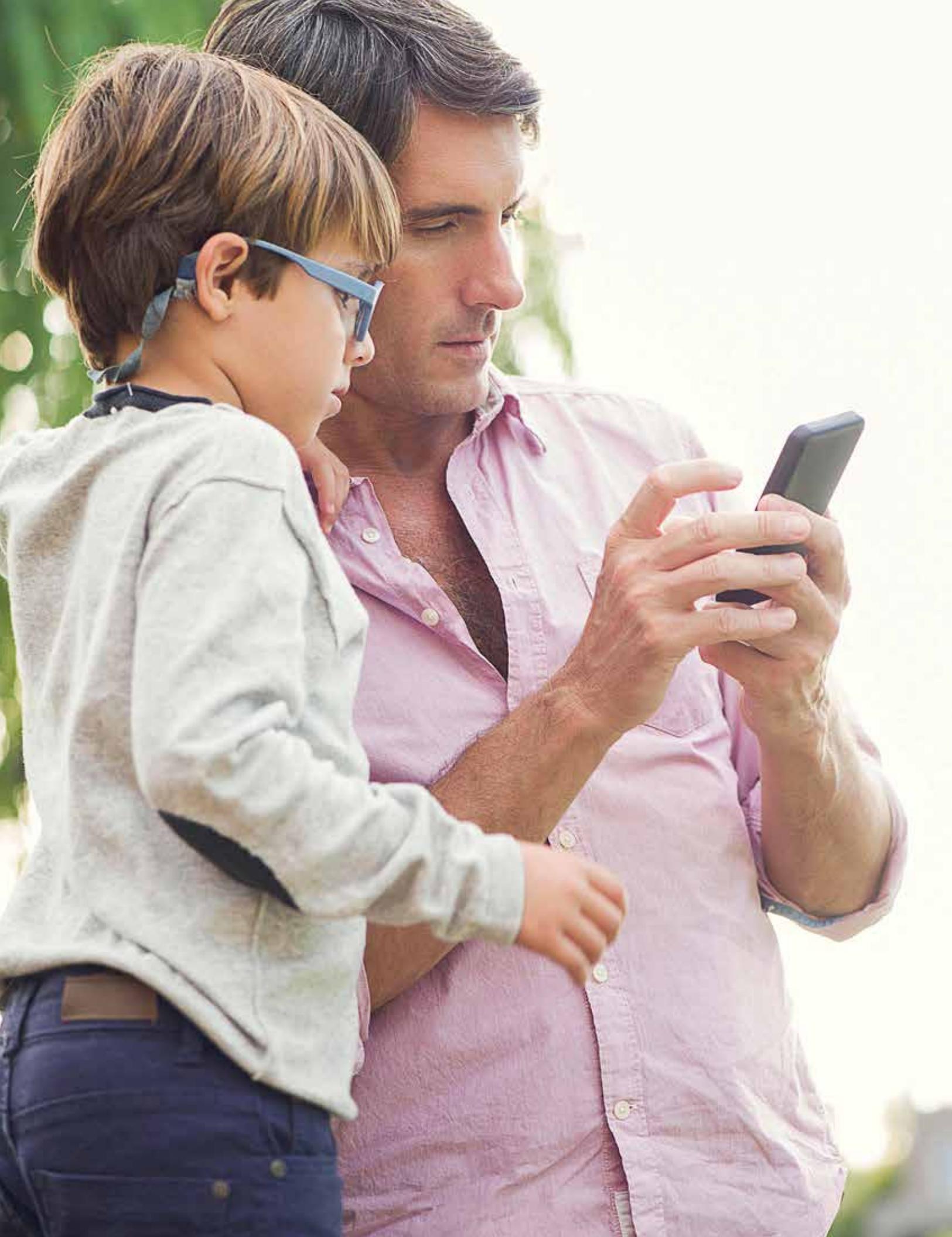
SmartGrill and Sonoma Smoker by Lynx communicate with an app on your smartphone or tablet, and for SmartGrill, via voice commands. Choose from three ways to cook: Call up hundreds of recipes from the constantly updated Smart Recipes database; set cooking time and temperature to your own preferences; or cook completely manually.



Comparing data from temperature sensors with the cooking techniques included in each recipe, Lynx Smart technology continuously adjusts the electromechanical valves in the grill or smoker with pinpoint precision. The app even learns from experience, so you can adjust its standards of doneness to match your own.

With the Lynx Smart Series, it's like having an expert chef as your assistant, whenever you're ready to cook.





LYNX SMART SERIES

AND WITH LYNX, THIS IS WHAT IT LOOKS LIKE

AUTOMATED COOKING

MyChef™ operating system monitors cooking times and temperatures

Learning algorithm allows Lynx Smart Series products to dial in your preferred doneness

SMARTPHONE CONTROL

Monitor your food from anywhere through Lynx Smart Series apps

Receive a notification when your attention is required

Connects to your home's WiFi network

CONNECT WITH THE LYNX SMART COMMUNITY

Upload your own recipes to the Smart Recipes database

Save your favorites to your profile

UNPARALLELED SAFETY FEATURES

Temperature sensors measure cooking temperatures so you have complete control over the action

Receive alerts when your grill or smoker are being used

Lynx Smart Series products automatically shut down if left inactive longer than 30 minutes



Sonoma Smoker by Lynx



SmartGrill By Lynx





 **ENHANCE YOUR COOKING TALENT**

With the SmartGrill by Lynx briquette trays are gone! The All Trident grills are true high-performance machines with the best heat profile of any Lynx grill—and the SmartGrill app lets you make the most of them.

All Trident infrared burners provide the fastest-ever preheat, along with extremely responsive temperature control for searing precision impossible with other grills. Both three-burner all-Trident grills (42" and 36") offer three distinct temperature zones; the 30" SmartGrill offers two zones.



SMARTGRILL BY LYNX
INCLUDES ALL OF THESE FEATURES

- Three variable temperature Trident infrared burners (two burners on 30" model)
- Backlit blue LED control knobs and dual halogen grill surface lights
- Lynx Hood Assist absorbs 95% of the front hood weight
- Stainless steel grilling grates with limited lifetime warranty
- Dual-position internally powered rotisserie with heavy-duty, 3-speed motor and rear infrared burner with 16,000 BTU
- Freestanding models feature cart with folding side shelves
- Carbon fiber vinyl cover included with all models
- Voice activated, smart device controlled or manual
- iOS and Android operating systems supported
- Temperature sensors measure heat output at cooking surface
- Electromechanical valves automatically maintain preset surface temperature
- Cart mounted double side burner available Model LCB2-3
- Electronics nest in a weatherproof case under the grill
- Powered by a 1.5Ghz Intel® Processor, 64GB of storage, and 802.11g WiFi
- Includes all the features of our standard 42", 36", and 30" grills

NOTE: Must specify gas type—NG for Natural Gas or LP for Propane
NOTE: For planning and installation details, including dimensions, specification sheets, and CAD drawings please visit the Support/Product Documents section of the Lynx website: lynxgrills.com



42" SMARTGRILL
1200 sq. in. cooking surface (855 Primary/345 Secondary)
SMART42 42" Built-in SmartGrill (shown)
 UMRP: \$8,499 / MSRP: \$9,269
SMART42F 42" Freestanding Cart SmartGrill
 UMRP: \$9,499 / MSRP: \$10,359



36" SMARTGRILL
935 sq. in. cooking surface (640 Primary/295 Secondary)
SMART36 36" Built-in SmartGrill (shown)
 UMRP: \$7,499 / MSRP: \$8,179
SMART36F 36" Freestanding Cart SmartGrill
 UMRP: \$8,499 / MSRP: \$9,269



30" SMARTGRILL
840 sq. in. cooking surface (600 Primary/240 Secondary)
SMART30 30" Built in SmartGrill (shown)
 UMRP: \$5,999 / MSRP: \$6,539
SMART30F 30" Freestanding Cart SmartGrill
 UMRP: \$6,999 / MSRP: \$7,629



LOADED WITH SLOW-COOKING EXPERTISE

Lower temperatures over a longer cooking time enable a smoker to create moist, tender results with a delicious smoky accent. Lynx Smart Sonoma Smokers make it easier than ever to achieve these distinctive results. They can smoke for up to six hours on one load of fuel. And their Lynx Smart technology maintains the optimum temperature throughout the cooking process—while also keeping you informed on the progress of your culinary efforts via your WiFi-enabled app.



SONOMA SMOKER BY LYNX INCLUDES ALL OF THESE FEATURES

- 1000 sq. in. cooking surface
- Dual racks for food placement
- Temperature range 160°–350° F
- Smoke up to 6 hours without reloading woodchip fuel
- WiFi and app enabled allows you to check status of your food
- LCD control panel with real time information

NOTE: Must specify gas type—NG for Natural Gas or LP for Propane
NOTE: For planning and installation details, including dimensions, specification sheets, and CAD drawings please visit the Support/Product Documents section of the Lynx website: lynxgrills.com

MODEL	DESCRIPTION	UMRP	MSRP
SMLPK	Smoker Gas Conversion Kit, NG to LP	\$ 44	\$ 49
SMKNGK	Smoker Gas Conversion Kit, LP to NG	\$ 39	\$ 43

CHECK OUT OUR WOOD CHIPS



30" BUILT-IN OR COUNTERTOP

LSMK (shown)
 UMRP: \$2,499 / MSRP: \$2,719



30" FREESTANDING SMOKER

LSMKF (shown)
 UMRP: \$3,099 / MSRP: \$3,379



30" SMOKER ON MOBILE CART KITCHEN

LSMKM (shown)
 UMRP: \$5,069 / MSRP: \$5,519



The innovative features, unparalleled performance, and superior craftsmanship of Lynx Professional Grills are available in 27", 30", 36", 42" and 54" configurations for built-in or freestanding applications.



GENERAL FEATURES

- Trident infrared technology delivers intense & controllable infrared heat
- Ceramic burner for extremely even cooking
- Elegant fit & finish, continuously welded smooth joints
- Reliable hot surface ignition system
- Control knob illumination w/ blue LED lights
- Internal halogen grill surface light(s)
- Specially designed high-density ceramic radiant briquettes
- Large & easy-to-read temperature gauge
- Fluid rotation handle is easy on wrist
- Lynx Hood Assist for effortless, safe operation
- Heat stabilizing design
- Dual position internally powered rotisserie w/ rear infrared burner & heavy-duty 3-speed motor
- Removable large-capacity smoker box
- Solid stainless steel grilling grates



FREESTANDING GRILL CART FEATURES

- Grill head is welded to cart to ensure strength & rigidity
- Commercial casters w/ 360° maneuverability make these units easy to move; 6 casters on 42" & 54" grills
- Fold-down shelves
- Heavy-duty swing-out cart doors
- Doors include removable condiment shelves for easy cleaning
- 42" & 54" grill carts feature two pull out utility storage drawers
- Optional sliding LP tank tray (LSTLP) available for 30", 42" & 54" grills
- Optional side burner attachment available (LCB2-3)



CERAMIC BURNER

- Lifetime Warranty
- Rated at 25,000 BTUs each
- Special designed high density ceramic
- Lightweight at 8 pounds
- Radiates heat more effectively than metal burners
- Self cleaning design
- Resistant to corrosion from acidic foods like marinades and bbq sauce



TRIDENT INFRARED BURNER

- Trident Infrared Variable Burner
- Lifetime Warranty
- Rated at 23,000 BTUs each
- Wide temperature range of 300-1000 Fahrenheit allows you to cook anything
- Instantaneous response to temperature control
- Allows for precision cooking
- Unique shape allows for 2/3 less flareups than traditional burners



CONTROL KNOB ILLUMINATION WITH BLUE LED LIGHTS

- Each knob features dedicated LED lighting
- Knob markings can easily be viewed at night
- Single switch activation for blue LEDs and internal halogen lights

MEET DONATELLA ARPAIA NEW YORK, NY IRON CHEF JUDGE AND RESTAURATEUR

"My Lynx outdoor kitchen is beautiful, powerful and uses the latest technology. The grill cooks more evenly than any other grill and the made in America craftsmanship made it the only choice for me. There isn't anything I can't cook outside that I can inside. Our outdoor kitchen has become the heart of our home."



MEET KENT RATHBUN DALLAS, TX RESTAURATEUR AND IRON CHEF WINNER

"As a chef, I have been fortunate enough to work with many brands of equipment—but when it comes to outdoor appliances, I find Lynx to be the Porsche of outdoor kitchen products."





INTERNAL HALOGEN GRILL SURFACE LIGHT

- Brightly illuminates the entire grilling surface using a heavy-duty Pyrex® glass lens directly over the grilling surface
- 10 watt halogen light
- 36", 42" and 54" grills feature two lights



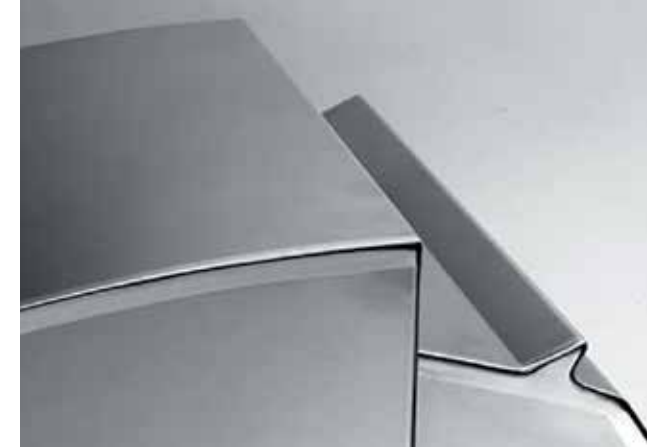
CERAMIC RADIANT BRIQUETTES

- Special designed high-density ceramic
- Even heat across the entire grilling surface
- Reduces flare-ups by keeping grease and oil away from the direct flame
- Enhances food flavors as drippings hit the briquettes and create smoke
- Briquettes are clipped in place for easy reversible cleaning



LYNX HOOD ASSIST

- Heat treated stainless steel spring system
- Makes opening the commercial-grade hood effortless and safe
- Easy to remove and replace
- Absorbs 90% of hood weight



HEAT STABILIZING DESIGN

- Wind-fin design stabilizes critical grill surface temperatures when cooking in windy conditions with the grill hood closed
- Firebox baffles and burner partitions on models ensure that the heat generated by the burners is uniformly and directly delivered to the grill surface



REMOVABLE LARGE-CAPACITY SMOKER BOX INCLUDED

- Used with wood chips or smoker pellets
- Set directly on grates over any burner
- Smoking is most effective in first 20 minutes of slow cooking
- Made of heavy-gauge 304 stainless steel
- Unique handle and interlock mechanism is designed to allow quick removal or refilling



ROTISSERIE SYSTEM

- 3-speed motor rated for 55 lbs.
- 2 roasting positions
- 14,000 to 16,000 BTU infrared rear burner
- Stainless steel roller bearings
- Drip pan included



MEET
MICHAEL SCHWARTZ MIAMI BEACH, FL
CHEF/RESTAURATEUR

"I'm honored to be part of the Lynx Chef Panel and work with its innovative products. Grilling is one of the simplest ways to build flavor into a dish and has always played an important role in my approach to cooking."

MEET
ELIZABETH BLAU & KIM CANTEENWALLA LAS VEGAS, NV
CHEF/RESTAURATEUR

"We are very proud to be joining the Lynx Chef Panel. Our Lynx grill is a success. We truly feel there is no competitor that can hold a candle to Lynx in terms of outdoor grilling."



GRILLING SURFACE AREA

Lynx grills have an extended depth for more primary grilling space*

- 27" Grill - 685 sq. in. (470 primary / 215 secondary)
- 30" Grill - 840 sq. in. (600 primary / 240 secondary)
- 36" Grill - 935 sq. in. (640 primary / 295 secondary)
- 42" Grill - 1,200 sq. in. (855 primary / 345 secondary)
- 54" Grill - 1,555 sq. in. (1,110 primary / 445 secondary)

*NOTE: 27" and 36" grill depth = 19" / 30", 42" and 54" grill depth = 21"



TEMPERATURE GAUGE

- Indicates when your grill is ready for cooking
- Large and easy to read
- Temperature reading is for convected heat, add 200° for surface grate temperature



HOT SURFACE IGNITION

- Ensures safe and efficient burner ignition
- Light each burner with the push of a knob
- Robust and weather resistant
- Ignition operates on 12 volts DC

Lynx is a legend of excellence—from the hand-finished hoods to the brilliant burners nestled within. The long line of Lynx innovations has now led to a burner that's more reliable, clean, and responsive.

Traditional burners can suffer when extreme heat expands and contracts the metal, loosening bonds over time. Performance weakens as food residue clogs ports, or corrosive outdoor weather degrades the material.

The new Lynx ceramic burner is made from cordierite ceramic, a material chosen for kilns and commercial ovens because of the temperatures that it endures. We tested these burners relentlessly, igniting them thousands of times, even when encrusted with sauce or encased with ice. When we place these radiant gems at the heart of your Lynx Grill, we harness them to controls that let you precisely tune a power you haven't felt before.



MEET
KEVIN GARVIN DALLAS, TX
EXECUTIVE CHEF, NEIMAN MARCUS RESTAURANTS

"I like to use my outdoor Lynx grill as often as I can and nothing is better than searing a nice New York steak at 500° to 600°. It's that outside crispy char that I strive for all the time. Thanks for building the greatest grills in the world!"



MEET
GLENN LYMAN CHARLOTTE, NC
PERSONAL CHEF TO HIGH PROFILE ATHLETES

"When I think about time spent around the grill, I recall a lifetime of experience and quality time with family and friends. I cherish the memories of hanging out around the grill, sharing stories, swapping recipes, and making plans for the next gathering. Imagining the great taste and smell of grilled food sparks up nostalgia I will never forget. Thanks to the championship quality of Lynx, I have a real home-court advantage in the outdoor kitchen."

LYNX ALL TRIDENT GRILLS

OUR BEST HEAT PROFILE EVER FROM SIMMER TO SEAR

Each and every piece of equipment is designed to not just the industry standard but Lynx's standards for beauty, quality construction, performance, and user experience.

Lynx delivers unrivaled temperature range and control via the All Trident grill. Lynx grills provide performance features that deliver mouth watering results every time. A powerful combination of intense heat with the ability to throttle down to cook decadent meals, Lynx grills fit the needs for every cook out there.

ALL TRIDENT
INTENSE HEAT.
UNRIVALED
TEMPERATURE
CONTROL



MEET
ANDRÉS DANGOND DOWNEY, CA
LYNX EXECUTIVE CHEF AND DIRECTOR OF CULINARY DEVELOPMENT

"The thing that blows my mind every time I turn on a Lynx Grill is how insanely hot it can get in a short amount of time. Realizing how fast it responds to heat adjustments when cooling it down for slow cooking after searing, or quickly heating up for reverse searing, made me realize we can almost forget everything we know about traditional grilling. These machines are perfect."

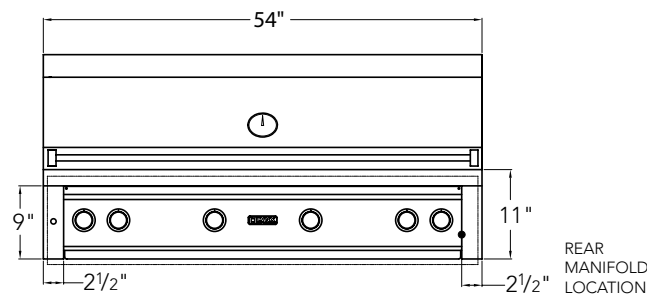
54" PROFESSIONAL GRILL



Built-In



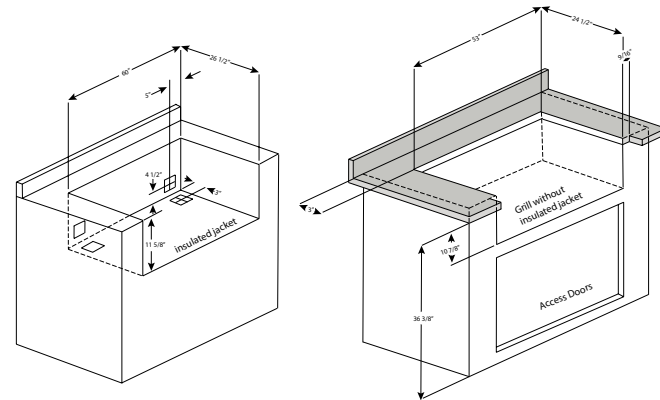
Shown: L54TR



PERFORMANCE FEATURES

- Three ceramic H burners and one Trident Infrared burner (total 126,000 BTUs).
- Heat Stabilizing Design
- High grade ceramic briquettes radiate heat for even cooking surface
- 3/8" round stainless steel grates
- Dual position rotisserie cooking system: Dedicated infrared back burner, 3 speed motor, meat forks, spit rod.
- Hot Surface Ignition
- Removable large capacity smoker box
- 1555 sq. in cooking surface (1110 primary, 445 secondary)

54" ISLAND PREPARATION



4" square holes for gas and electrical connections both left and right sides(rear or bottom access). Make these holes in the frame based on your requirements. 120V GFI outlet must be located within 6' of the 4" hole.

If using a countertop with overhang a 9/16" notch is required.
Use insulated jacket when installing grills in combustible material island.

CONVENIENCE FEATURES

- Lynx hood assist kit
- Fluid rotation handle
- Control Illumination with blue LEDs
- Dual halogen grill surface lights

COMPLEMENTARY PRODUCTS

- Side Burner (see page 47)
- Outdoor Refrigeration (see pages 49-51)
- Cocktail Station (see page 55)
- Access Doors and Storage Systems (see page 56-63)
- Outdoor Patio Heater (see page 66)

MODEL	DESCRIPTION	UMRP	MSRP
L54TR	54" Built-In Grill - 1 Trident Burner w/ Rotisserie	\$ 6,589	\$ 7,249
LJ54	Insulating Jacket for 54" Built-In-Grill	\$ 739	\$ 799
CC54	54" Carbon Fiber Vinyl Cover (Built-In)	\$ 219	\$ 239

NOTE: Must specify gas type—NG for Natural Gas or LP for Propane

NOTE: For planning and installation details, including dimensions, specification sheets, and CAD drawings please visit the Support/Product Documents section of the Lynx website: lynxgrills.com

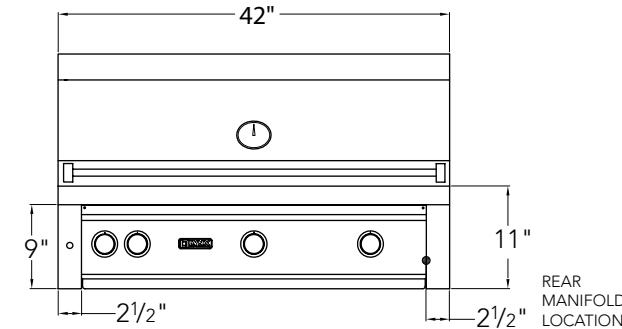
42" PROFESSIONAL GRILL



Built-In



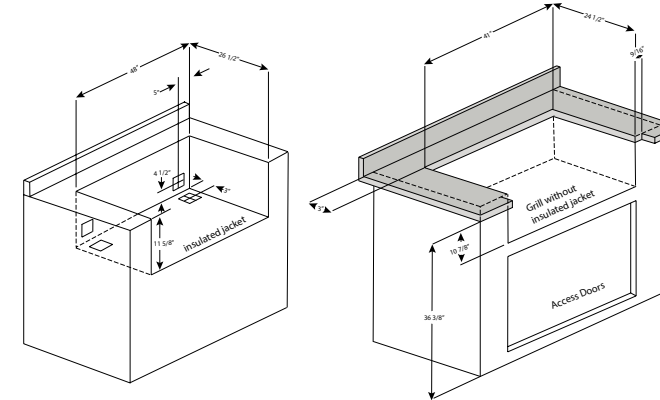
Shown: L42TR



PERFORMANCE FEATURES

- Three different burner configurations available (up to 91,000 BTUs)
- Heat stabilizing design
- High grade ceramic briquettes radiate heat for even cooking surface
- 3/8" round stainless steel grates
- Dual position rotisserie cooking system: dedicated infrared back burner, 3 speed motor, meat forks, spit rod
- Hot Surface Ignition
- Removable large capacity smoker box
- 1200 sq. in cooking surface (855 primary, 345 secondary)

42" ISLAND PREPARATION



4" square holes for gas and electrical connections both left and right sides(rear or bottom access). Make these holes in the frame based on your requirements. 120V GFI outlet must be located within 6' of the 4" hole.

If using a countertop with overhang a 9/16" notch is required.
Use insulated jacket when installing grills in combustible material island.

CONVENIENCE FEATURES

- Lynx hood assist kit
- Fluid rotation handle
- Control Illumination with blue LEDs
- Dual halogen grill surface lights
- Temperature Gauge

COMPLEMENTARY PRODUCTS

- Side Burner (see page 47)
- Outdoor Refrigeration (see pages 49-51)
- Cocktail Station (see page 55)
- Access Doors and Storage Systems (see page 56-63)
- Outdoor Patio Heater (see page 66)

MODEL	DESCRIPTION	UMRP	MSRP
L42R-3	42" Built-In Grill w/ Rotisserie	\$ 5,459	\$ 6,009
L42TR	42" Built-In Grill - 1 Trident IR Burner w/ Rotisserie	\$ 5,459	\$ 6,009
L42ATR	42" Built-In Grill - All Trident IR Burner w/ Rotisserie	\$ 5,459	\$ 6,009
LJ42	Insulating Jacket for 42" Built-In Grill	\$ 699	\$ 779
CC42	42" Carbon Fiber Vinyl Cover (Built-In)	\$ 179	\$ 199

NOTE: Must specify gas type—NG for Natural Gas or LP for Propane

NOTE: For planning and installation details, including dimensions, specification sheets, and CAD drawings please visit the Support/Product Documents section of the Lynx website: lynxgrills.com



Built-In



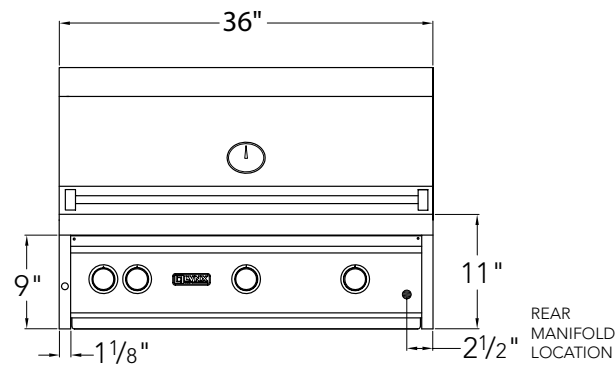
Shown: L36TR



Built-In



Shown: L30R-3



PERFORMANCE FEATURES

- Three different burner configurations available (up to 89,000 BTUs)
- Heat Stabilizing Design
- High grade ceramic briquettes radiate heat for even cooking surface
- 3/8" round stainless steel grates
- Dual position rotisserie cooking system: dedicated infrared back burner, 3 speed motor, meat forks, spit rod
- Hot Surface Ignition
- Removable large capacity smoker box
- 935 sq. in cooking surface (640 primary, 295 secondary)

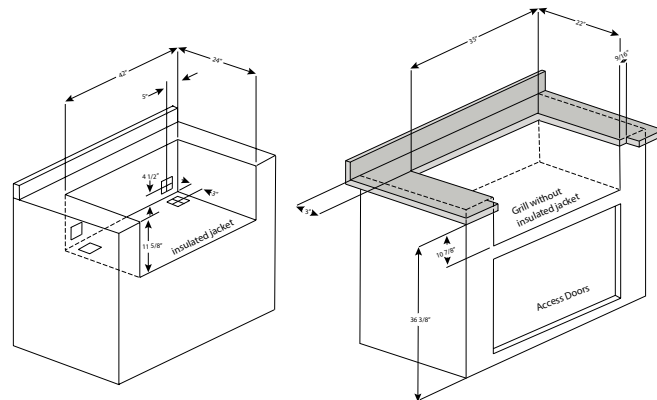
CONVENIENCE FEATURES

- Lynx hood assist kit
- Fluid rotation handle
- Control Illumination with blue LEDs
- Dual halogen grill surface lights
- Temperature Gauge

COMPLEMENTARY PRODUCTS

- Side Burner (see page 47)
- Outdoor Refrigeration (see pages 49-51)
- Cocktail Station (see page 55)
- Access Doors and Storage Systems (see page 56-63)
- Outdoor Patio Heater (see page 66)

36" ISLAND PREPARATION



4" square holes for gas and electrical connections both left and right sides(rear or bottom access). Make these holes in the frame based on your requirements. 120V GFI outlet must be located within 6' of the 4" hole.

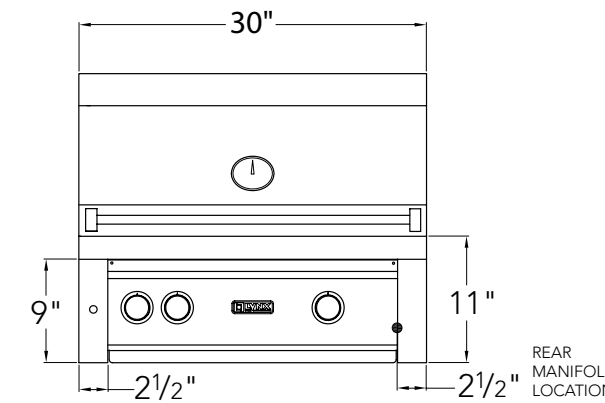
If using a countertop with overhang a 9/16" notch is required.

Use insulated jacket when installing grills in combustible material island.

MODEL	DESCRIPTION	UMRP	MSRP
L36R-3	36" Built-In Grill w/ Rotisserie	\$ 4,939	\$ 5,429
L36TR	36" Built-In Grill - 1 Trident IR Burner w/ Rotisserie	\$ 4,939	\$ 5,429
L36ATR	36" Built-In Grill - All Trident IR Burner w/ Rotisserie	\$ 4,939	\$ 5,429
LIJ36	Insulated Jacket for 36" Built-In-Grill	\$ 679	\$ 739
CC36	36" Carbon Fiber Vinyl Cover (Built-In)	\$ 169	\$ 189

NOTE: Must specify gas type—NG for Natural Gas or LP for Propane

NOTE: For planning and installation details, including dimensions, specification sheets, and CAD drawings please visit the Support/Product Documents section of the Lynx website: lynxgrills.com



PERFORMANCE FEATURES

- Three different burner configurations available (up to 64,000 BTUs)
- Heat Stabilizing Design
- High grade ceramic briquettes radiate heat for even cooking surface
- 3/8" round stainless steel grates
- Dual position rotisserie cooking system: dedicated infrared back burner, 3 speed motor, meat forks, spit rod
- Hot Surface Ignition
- Removable large capacity smoker box
- 840 sq. in cooking surface (600 primary, 240 secondary)

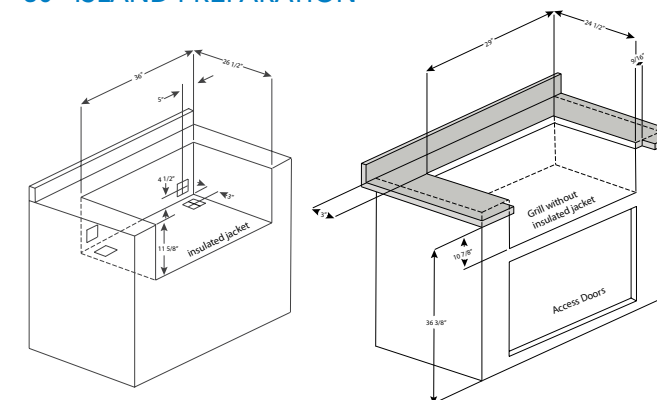
CONVENIENCE FEATURES

- Lynx hood assist kit
- Fluid rotation handle
- Control Illumination with blue LEDs
- Dual halogen grill surface lights
- Temperature Gauge

COMPLEMENTARY PRODUCTS

- Side Burner (see page 47)
- Outdoor Refrigeration (see pages 49-51)
- Cocktail Station (see page 55)
- Access Doors and Storage Systems (see page 56-63)
- Outdoor Patio Heater (see page 66)

30" ISLAND PREPARATION



4" square holes for gas and electrical connections both left and right sides(rear or bottom access). Make these holes in the frame based on your requirements. 120V GFI outlet must be located within 6' of the 4" hole.

If using a countertop with overhang a 9/16" notch is required.

Use insulated jacket when installing grills in combustible material island.

MODEL	DESCRIPTION	UMRP	MSRP
L30R-3	30" Built-In Grill w/ Rotisserie	\$ 3,499	\$ 3,859
L30TR	30" Built-In Grill - 1 Trident IR Burner w/ Rotisserie	\$ 3,499	\$ 3,859
L30ATR	30" Built-In Grill - All Trident IR Burner w/ Rotisserie	\$ 3,499	\$ 3,859
LIJ30	Insulated Jacket for 30" Built-In-Grill	\$ 649	\$ 729
CC30	30" Carbon Fiber Vinyl Cover (Built-In)	\$ 149	\$ 169

NOTE: Must specify gas type—NG for Natural Gas or LP for Propane

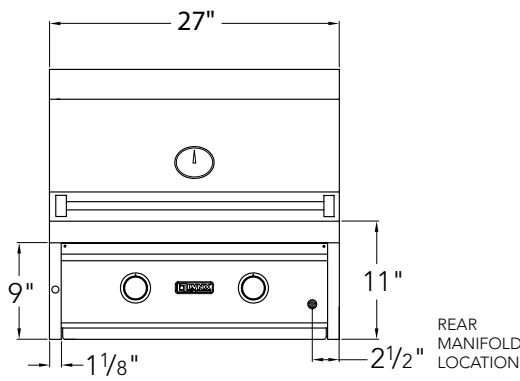
NOTE: For planning and installation details, including dimensions, specification sheets, and CAD drawings please visit the Support/Product Documents section of the Lynx website: lynxgrills.com



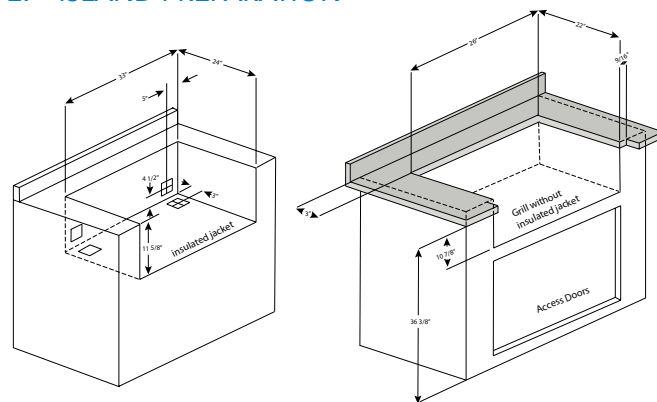
Built-In



Shown: L27TR



27" ISLAND PREPARATION



4" square holes for gas and electrical connections both left and right sides(rear or bottom access). Make these holes in the frame based on your requirements. 120V GFI outlet must be located within 6" of the 4" hole.

If using a countertop with overhang a 9/16" notch is required.

Use insulated jacket when installing grills in combustible material island.

PERFORMANCE FEATURES

- Two different burner configurations available (up to 64,000 BTUs)
- Heat Stabilizing Design
- High grade ceramic briquettes radiate heat for even cooking surface
- 3/8" round stainless steel grates
- Dual position rotisserie cooking system: dedicated infrared back burner, 3 speed motor, meat forks, spit rod
- High speed spark ignition
- Removable large capacity smoker box
- 685 sq. in cooking surface (470 primary, 215 secondary)

CONVENIENCE FEATURES

- Lynx hood assist kit
- Fluid rotation handle
- Control Illumination with blue LEDs
- Dual halogen grill surface lights
- Temperature Gauge

COMPLEMENTARY PRODUCTS

- Side Burner (see page 47)
- Outdoor Refrigeration (see pages 49-51)
- Cocktail Station (see page 55)
- Access Doors and Storage Systems (see page 56-63)
- Outdoor Patio Heater (see page 66)

MODEL	DESCRIPTION	UMRP	MSRP
L27R-3	27" Built-In Grill w/ Rotisserie	\$ 2,989	\$ 3,289
L27TR	27" Built-In Grill - 1 Trident IR Burner w/ Rotisserie	\$ 2,989	\$ 3,289
L1J27	Insulated Jacket for 27" Built-In-Grill	\$ 629	\$ 699
CC27	27" Carbon Fiber Vinyl Cover (Built-In)	\$ 129	\$ 139

NOTE: Must specify gas type—NG for Natural Gas or LP for Propane

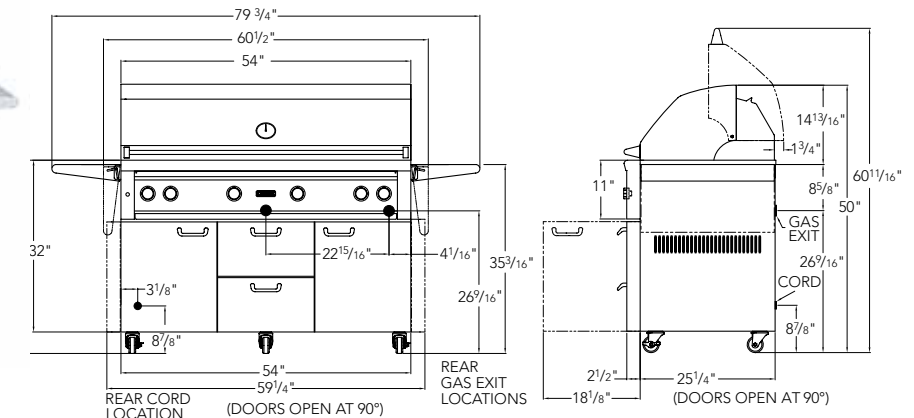
NOTE: For planning and installation details, including dimensions, specification sheets, and CAD drawings please visit the Support/Product Documents section of the Lynx website: lynxgrills.com

54" PROFESSIONAL FREESTANDING GRILL

Model No. L54TRF



Freestanding

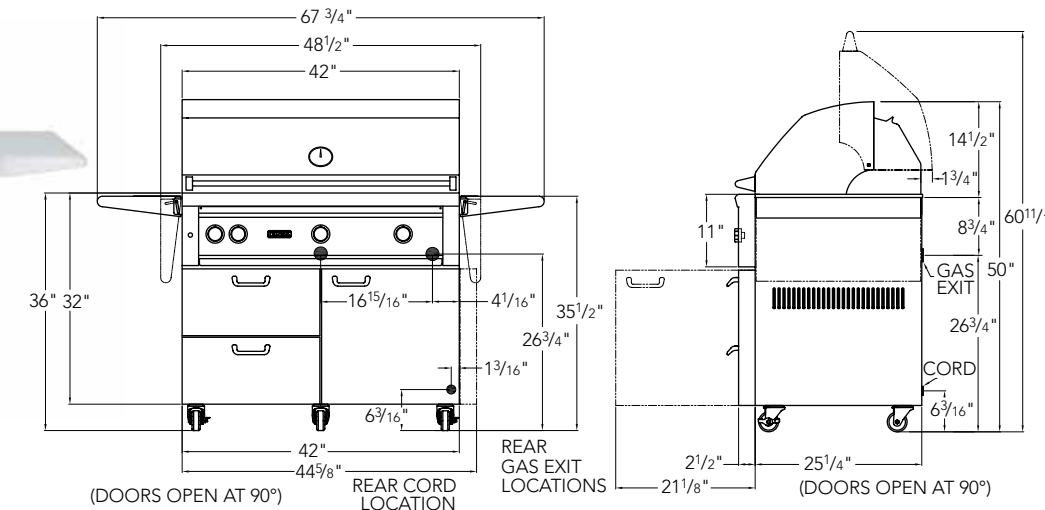


42" PROFESSIONAL FREESTANDING GRILL

Model No. L42TRF



Freestanding

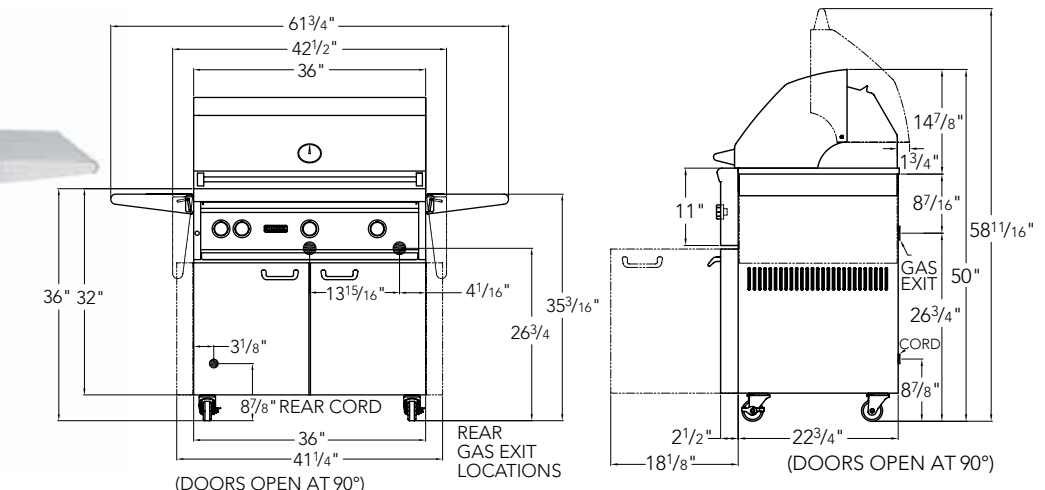


36" PROFESSIONAL FREESTANDING GRILL

Model No. L36TRF



Freestanding

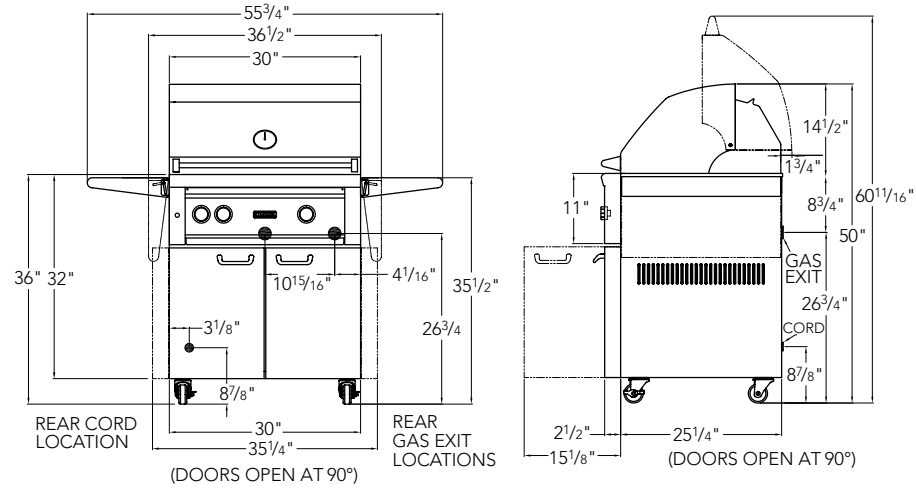


30" PROFESSIONAL FREESTANDING GRILL

Model No. L30TRF



Freestanding

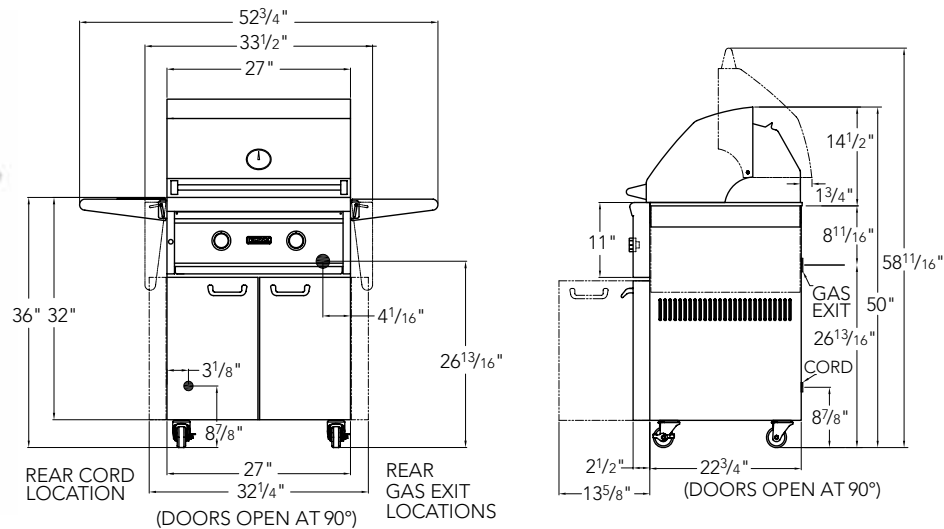


27" PROFESSIONAL FREESTANDING GRILL

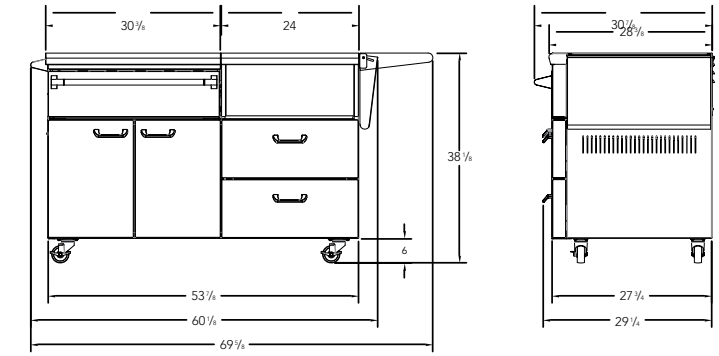
Model No. L27TRF



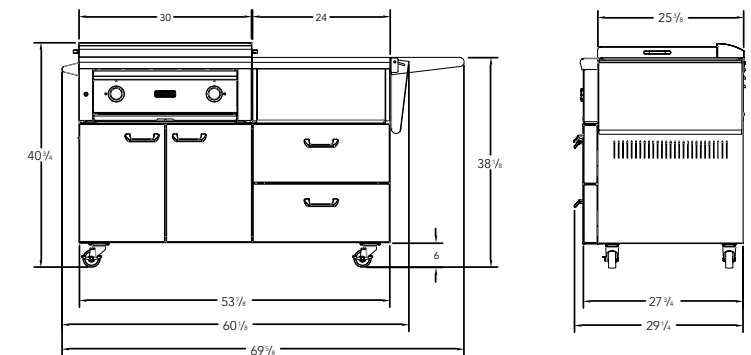
Freestanding



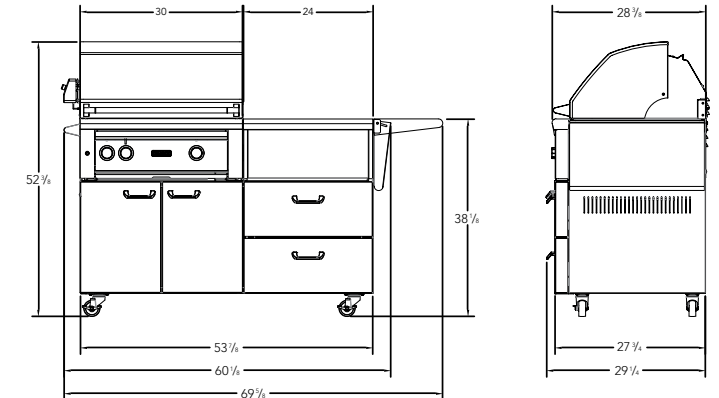
Serve and Prep Countertop on Mobile Kitchen Cart



Asado on Mobile Kitchen Cart



30" Grill on Mobile Kitchen Cart



CART MOUNTED DOUBLE SIDE BURNER

MODEL LCB2-3

- Finished seams w/ finely polished edges
- Available for cart-mounted applications



MODEL	DESCRIPTION	UMRP	MSRP
L54TRF	54" Freestanding Grill - 1 Trident IR Burner w/ Rotisserie	\$ 8,239	\$ 9,059
L42TRF	42" Freestanding Grill - 1 Trident IR Burner w/ Rotisserie	\$ 6,589	\$ 7,249
L42ATRF	42" Freestanding Grill - All Trident IR Burner w/ Rotisserie	\$ 6,589	\$ 7,249
L36TRF	36" Freestanding Grill - 1 Trident IR Burner w/ Rotisserie	\$ 6,079	\$ 6,689
L36ATRF	36" Freestanding Grill - All Trident IR Burner w/ Rotisserie	\$ 6,079	\$ 6,689
L30TRF	30" Freestanding Grill - 1 Trident IR Burner w/ Rotisserie	\$ 4,019	\$ 4,419
L30ATRF	30" Freestanding Grill - All Trident IR Burner w/ Rotisserie	\$ 4,019	\$ 4,419
L27TRF	27" Freestanding Grill - 1 Trident IR Burner with Rotisserie	\$ 3,709	\$ 4,079
LCB2-3	Cart Mounted Double Side Burner	\$ 1,299	\$ 1,459
L30CART	Cart for Smoker, 30" Grill, or Asado	\$ 599	\$ 659

NOTE: Must specify gas type—NG for Natural Gas or LP for Propane **NOTE:** For planning and installation details, including dimensions, specification sheets, and CAD drawings please visit the Trade Resources section of the Lynx website: lynxgrills.com

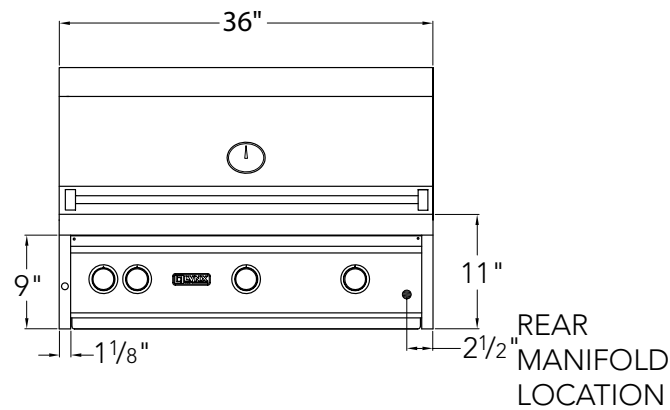
MODEL	DESCRIPTION	UMRP	MSRP
LSERVE	Serve & Prep Countertop	\$ 399	\$ 449
LSERVE-M	Serve & Prep Countertop on Mobile Kitchen Cart	\$ 2,969	\$ 3,269
L30AG-M	30" Asado Grill on Mobile Kitchen Cart	\$ 6,069	\$ 6,699
LSMKM	30" Smoker on Mobile Kitchen Cart (see page 19)	\$ 5,069	\$ 5,519
L30R3-M	30" Grill w/ Rotisserie on Mobile Kitchen Cart	\$ 6,069	\$ 6,689
L30TR-M	30" Grill - 1 Trident IR w/ Rotisserie on Mobile Kitchen Cart	\$ 6,069	\$ 6,689
L30ATR-M	30" Grill - All Trident IR w/ Rotisserie on Mobile Kitchen Cart	\$ 6,069	\$ 6,689
LMKC54	54" Mobile Kitchen Cart	\$ 2,569	\$ 2,829
CCAGSERVE	Asado/Serve Carbon Fiber Vinyl Cover (Mobile Kitchen Cart)	\$ 269	\$ 309
CC30M	30" Grill Carbon Fiber Vinyl Cover (Mobile Kitchen Cart)	\$ 299	\$ 329
CCSMKM	Smoker Carbon Fiber Vinyl Cover (Mobile Kitchen Cart)	\$ 299	\$ 329



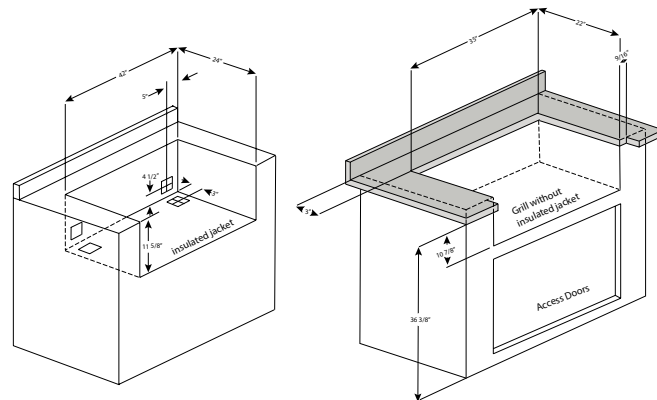
Built-In



Shown: LF36ATR



36" ISLAND PREPARATION



4" square holes for gas and electrical connections both left and right sides(rear or bottom access). Make these holes in the frame based on your requirements. 120V GFI outlet must be located within 6" of the 4" hole. If using a countertop with overhang a 9/16" notch is required.

PERFORMANCE FEATURES

- All Trident Platform (up to 83,000 BTUs)
- Heat Stabilizing Design
- 3/8" round stainless steel grates
- Dual position rotisserie cooking system: dedicated infrared back burner, 3 speed motor, meat forks, spit rod
- Reliable spark ignition
- Removable large capacity smoker box
- 935 sq. in cooking surface (640 primary, 295 secondary)

CONVENIENCE FEATURES

- Lynx hood assist kit
- Fluid rotation handle
- Control Illumination with blue LEDs
- Dual halogen grill surface lights
- Temperature Gauge

SAFETY FEATURES

- FLAMETRAK™ safety system ensures gas shut off in the case of flame loss.



MODEL	DESCRIPTION	UMRP	MSRP
LF36ATR	36" Built-In All-Trident Grill w/ Rotisserie and Flametrak	\$ 5,439	\$ 5,979
LF36ATRF	36" Freestanding All-Trident Grill w/Rotisserie and Flametrak	\$ 6,579	\$ 7,239
LIJ36	Insulated Jacket for 36" Built-In-Grill	\$ 679	\$ 739
CC36	36" Carbon Fiber Vinyl Cover (Built-In)	\$ 169	\$ 189
CC36F	36" Carbon Fiber Vinyl Cover (Freestanding)	\$ 229	\$ 259

NOTE: Must specify gas type—NG for Natural Gas or LP for Propane

NOTE: For planning and installation details, including dimensions, specification sheets, and CAD drawings please visit the Support/Product Documents section of the Lynx website: lynxgrills.com

The FLAMETRAK™ safety system uses a sensor that can tell if a burner's flame is out. The sensor tries to relight the burner, then shuts off the burner's gas if there is no flame for 13 seconds. With a sensor on each burner, the FLAMETRAK system helps provide grill safety whether a flame fails to ignite or a flame blows out.

NOTIFICATIONS

The FLAMETRAK system tells grill users when it has taken action. The FLAMETRAK indicator just above each burner knob lets grill users check the flame's status at a glance, rather than having to open the grill and look for a flame beneath the grates.

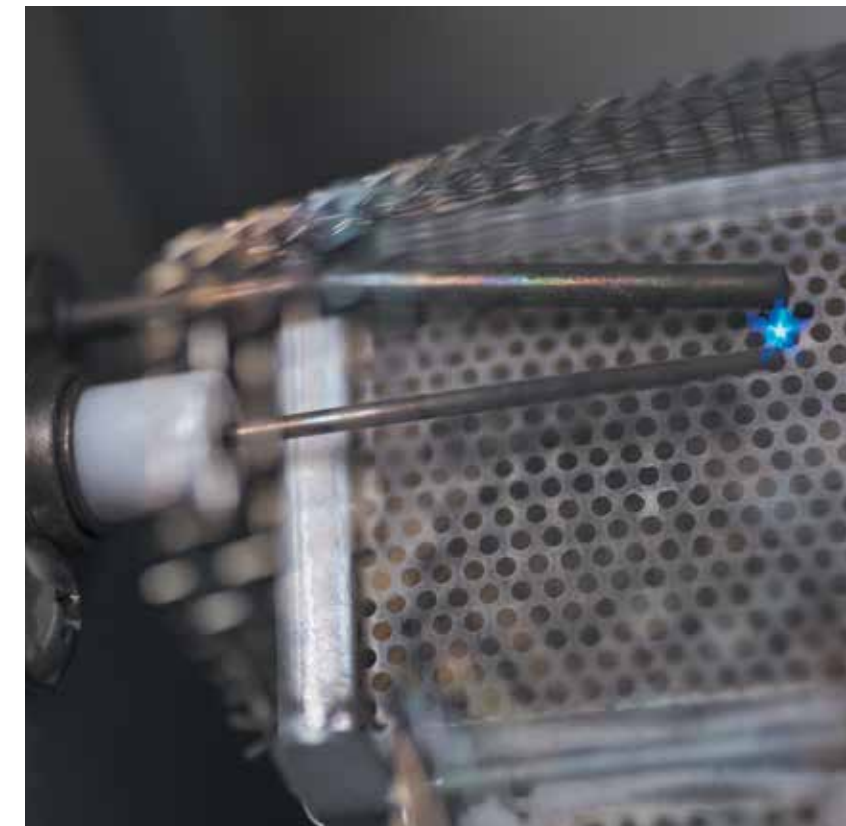
THE SCIENCE BEHIND THE SAFETY

The FLAMETRAK system is based on flame rectification. Flame rectification is the effect where electrical current changes from alternating current (AC) to direct current (DC) as it passes through a flame. If the current does not change to DC, then the FLAMETRAK switch knows the flame is out—and it relights or shuts off the gas.

Flame rectification is proven technology that many water heaters and other devices use to confirm the presence of a flame.

THE LYNX ALL TRIDENT GRILL

In 2018, the Lynx All Trident Grill is the first grill to feature the FLAMETRAK safety system. It sets the industry standard in performance and safety. The FLAMETRAK safety system is patent pending.



Ignition System



FLAMETRAK Indicator



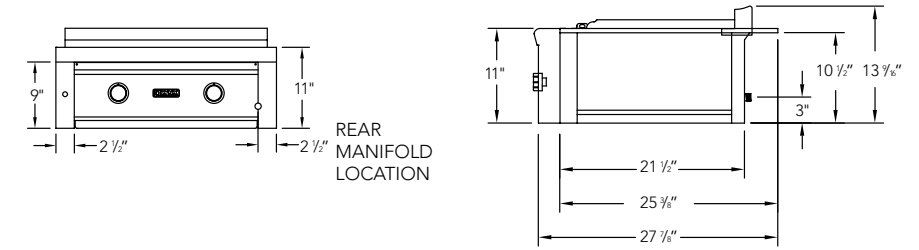
FLAMETRAK Indicator Error



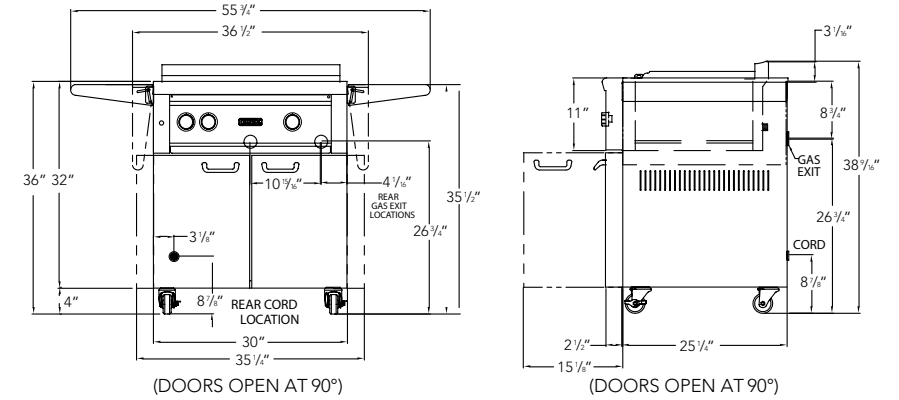
ASADO BY LYNX



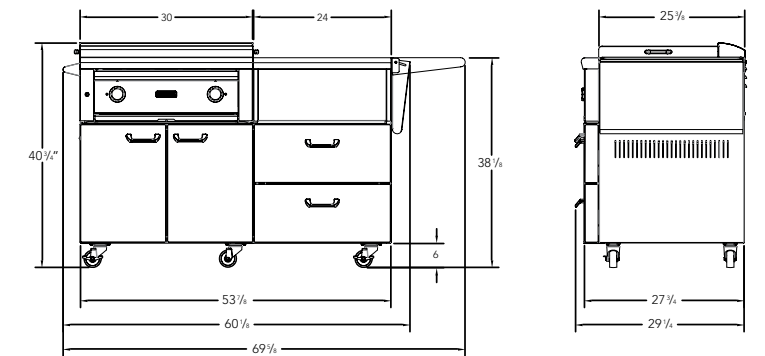
Built-In



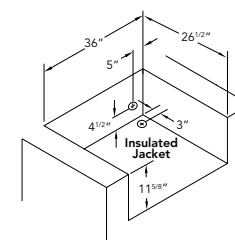
Freestanding



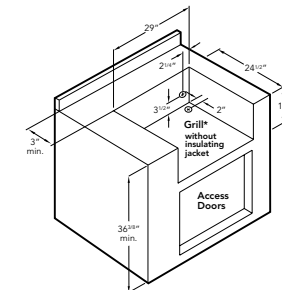
Asado on Mobile Kitchen Cart



30" ISLAND PREPARATION



4" square holes for gas and electrical connections both left and right sides (rear or bottom access). Make these holes in the frame based on your requirements. 120V GFI outlet must be located within 6' of the 4" hole.



COOKING SURFACE

- 525 sq. in. cooking surface

SHIPPING WEIGHTS & DIMENSIONS

- Built-In Grill: 208 lbs. – 38 1/2 x 34 1/4 x 23
- Freestanding Grill: 250 lbs. – 54 1/2 x 63 1/4 x 34

COMPLEMENTARY PRODUCTS

- Access Doors & Storage Systems (see page 46-49)
- Covers (see page 53)

FEATURES OF THE LYNX ASADO GRILL

- Two Trident infrared variable temperature burners
- 525 sq. in. cooking surface
- Full temperature range controlled valves
- Durable multi-layer grilling surface of aluminum sandwiched between two sheets of stainless steel
- Dual cooking zone
- Control illumination w/ blue LEDs
- Removable dual grease trays for easy cleaning
- Removable grilling surface for convenient cleaning & maintenance
- Includes attractive stainless steel cover
- Fits 30" grill cut-out dimensions
- 46,000 BTUs

For great recipes, visit www.lynxgrills.com/recipes



MODEL	DESCRIPTION	UMRP	MSRP
L30AG	30" Asado Built-In Grill	\$ 3,499	\$ 3,899
L30AGF	30" Asado Freestanding Grill	\$ 4,199	\$ 4,599
LIJ30	Insulated Jacket for 30" Asado Built-In	\$ 649	\$ 729
L30AG-M	30" Asado Grill on Mobile Kitchen Cart	\$ 6,069	\$ 6,699
LMKC54	54" Mobile Kitchen Cart	\$ 2,569	\$ 2,829
CCASADO	30" Asado Carbon Fiber Vinyl Cover (built-in)	\$ 129	\$ 139
CCASADOF	30" Asado Carbon Fiber Vinyl Cover (freestanding)	\$ 199	\$ 229
CCAGSERVE	Asado Grill or Serve Counter Carbon Vinyl Cover (Mobile Kitchen Cart)	\$ 269	\$ 309

NOTE: Must specify gas type—NG for Natural Gas or LP for Propane

NOTE: For planning and installation details, including dimensions, specification sheets, and CAD drawings, please visit the Support/Product Documents section of the Lynx website: lynxgrills.com

NAPOLI OUTDOOR OVEN BY LYNX

Lynx products are designed thoughtfully, always with the purpose to enhance user experience. The Napoli Outdoor oven includes dual temperature controls, a special concrete refractory dome, and a pull forward surface. This oven takes outdoor living to a new level.

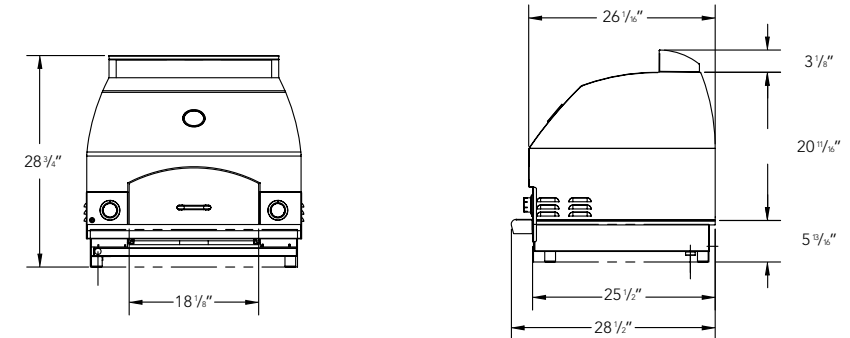
The Napoli oven can be set on a countertop, built in (as shown here), or set on a mobile kitchen cart for easy mobility.



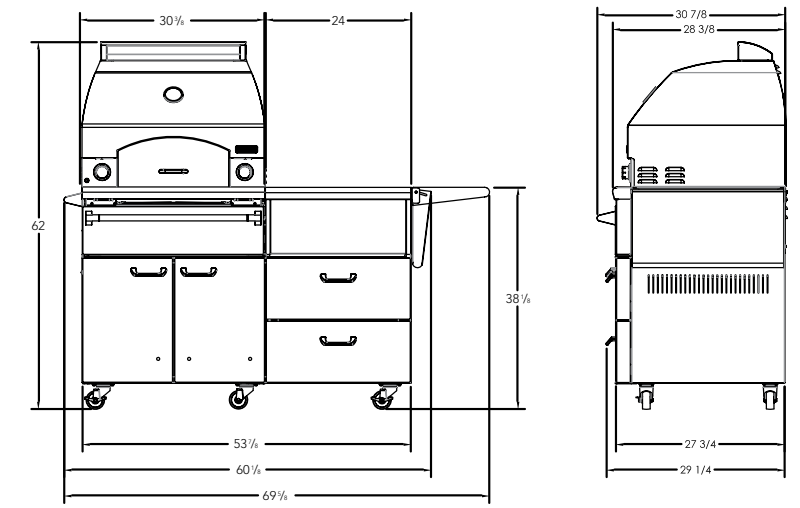
NAPOLI OUTDOOR OVEN BY LYNX



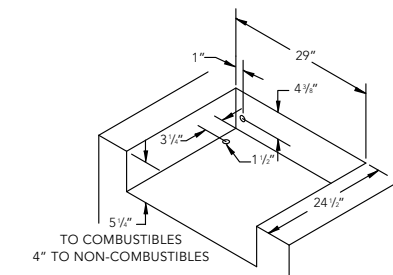
Built-In or Countertop



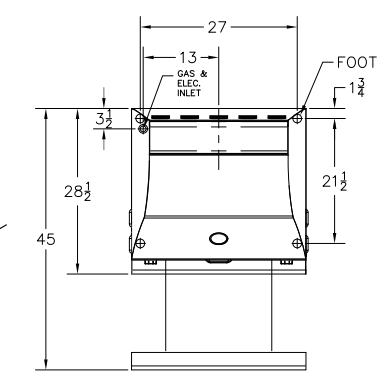
Freestanding w/ Cart



30" ISLAND PREPARATION



Built-In



Countertop

COOKING SURFACE

- 400 sq. in. cooking surface

SHIPPING WEIGHTS & DIMENSIONS

- Built-In / Counter: 275 lbs. – 30 x 38 1/2 x 34 1/4
- Cart: 250 lbs. – 54 1/2 x 63 1/4 x 34

COMPLEMENTARY PRODUCTS

- Access Doors and Storage Systems (see page 46-49)
- Covers (see page 53)

FEATURES OF THE NAPOLI OUTDOOR OVEN

- Specially formulated concrete refractory interior dome & cooking surface
- 18" x 22" stone surface drawer pulls forward for easy access
- Preheats quickly to 700° F for a quick pizza cook
- Variable infrared heating system
- Hand-polished mirrored edges
- Blue LED control knob illumination
- Interior halogen light
- Reversible top chimney vents towards front or rear
- Removable front door
- 400 sq. in. cooking surface
- Includes 12 1/4" x 20" aluminum pizza peel
- Freestanding cart has 606 sq. in. food prep area & storage drawers
- 40,000 BTUs



For great recipes, visit www.lynxgrills.com/recipes

MODEL	DESCRIPTION	UMRP	MSRP
LPZA	Napoli Outdoor Oven, Countertop or Built-In	\$ 3,999	\$ 4,499
LPZAF	Napoli Outdoor Oven, Freestanding	\$ 6,569	\$ 7,329
LMKC54	54" Mobile Kitchen Cart	\$ 2,569	\$ 2,829
CCLPZA	30" Napoli Outdoor Oven Carbon Fiber Vinyl Cover (Countertop)	\$ 149	\$ 169
CCLPZAB	30" Napoli Outdoor Oven Carbon Fiber Vinyl Cover (Built-In)	\$ 149	\$ 169
CCLPZAF	30" Napoli Outdoor Oven Carbon Fiber Vinyl Cover (Freestanding)	\$ 299	\$ 329
LPZANGK	Napoli Oven LP to NG Conversion Kit	\$ 27	\$ 30
LPZALPK	Napoli Oven NG to LP Conversion Kit	\$ 64	\$ 69

NOTE: Must specify gas type—NG for Natural Gas or LP for Propane
NOTE: For planning and installation details, including dimensions, specification sheets, and CAD drawings please visit the Support/Product Documents section of the Lynx website: lynxgrills.com



Donatella Arpaia: Cooking on her prep Center (LSB2PC)

LEISURE MEETS LUXURY

Whether it's indoors or outdoors, a kitchen is more than a cook-top or a grill. It's the point around which entertaining revolves.

To help you welcome your family and guests to an exquisite outdoor dining experience, Lynx is ready with a full complement of entertainment products ranging from refrigerators to warming drawers. All of the most extraordinary equipment you'll want for everyday cooking and special entertaining.

Take, for example, our outdoor kitchen storage system. It's artfully designed to keep all your essentials right where you want them. The Storage Door & Double Drawer Combination comes fully equipped with soft-close drawer slides, soft close hinge on the door, and illuminating interior lighting. From tools and condiments, to towels and wood chips, you'll know that everything is close at hand so you can prepare memorable cuisine like a professional chef, without having to leave your grill—or your guests—to go looking for what you need.

Timeless elegance and quality in every detail define the aura of luxury that Lynx products bring to the homes that select them. Their appearance, as well as their performance, elevates the dining experience. And the most special dining experience of all is dining with your family. All of our products are designed in the same Lynx way: with every feature thought through, fully engineered, and crafted to give you lasting satisfaction.

PROFESSIONAL SIDE BURNERS/POWER BURNER



MODELS LSB1-3 / LSB2-2

SINGLE & DOUBLE SIDE BURNERS

- 15,000 BTUs brass burners capable of delivering intense high heat & a low simmer
- Burners & burner basin are sealed for easy cleaning
- Control illumination w/ blue LEDs
- Hot surface ignition system
- Stainless steel cover protects burner(s) when not in use
- Single or double burner configurations
- Continuously welded joints for quality, strength & beauty
- Finished seams w/ finely polished edges
- Available for cart-mounted applications (LCB2-3 two burners only)

MODEL LSB2PC-1

DOUBLE SIDE BURNER W/ INTEGRAL PREP CENTER

- Two 15,000 BTUs brass burners capable of delivering intense high heat & a low simmer
- Burners & burner basin are sealed for easy cleaning
- Control illumination w/ blue LEDs
- Hot surface ignition system
- Two removable stainless steel covers for prep area & side burners
- Lift-out bamboo cutting board provides a convenient prep area
- Extended depth utility drawer for utensil & condiment storage also accommodates oversized utensils
- Available for built-in application only

MODEL LPB

POWER BURNER

- Cast brass burner rated at 47,000 BTUs
- Burner features dual rings that can be operated independently for maximum heat control (6,000 BTUs up to 47,000 BTUs)
- Control illumination w/ blue LEDs
- Hot surface ignition system
- Removable stainless steel cover
- Fully extendable drip pan
- Removable center grate feature allows unit to accommodate a commercial style round-bottom wok
- Replace the center grate and the unit is ready for an oversized stockpot or pan
- Available for built-in application only



MODEL	DESCRIPTION	UMRP	MSRP
LSB1-3	Built-In Single Side Burner	\$ 799	\$ 859
LSB2-2	Built-In Double Side Burner	\$ 1,149	\$ 1,259
LSB2PC-1*	Double Side Burner w/ Integrated Prep Center	\$ 1,879	\$ 2,099
LPB	Power Burner	\$ 1,759	\$ 1,899
LCB2-3	Cart-Mounted Double Side Burners	\$ 1,299	\$ 1,459
CCLSB1	Single Side Burner Carbon Fiber Vinyl Cover (Built-In)	\$ 79	\$ 99
CCLSB	Double Side Burner Carbon Fiber Vinyl Cover (Built-In)	\$ 99	\$ 109
CCLSB2PC	Double Side Burner w/ Prep Center Carbon Fiber Vinyl Cover	\$ 119	\$ 129
CCLPB	Power Burner Carbon Fiber Vinyl Cover	\$ 119	\$ 129

*Models LSB2PC-1, LSB1-3 and LPB are available for built-in application only

NOTE: Must specify gas type—NG for Natural Gas or LP for Propane; may require Lynx Accessory Switch Kit (LASK)
NOTE: For planning and installation details, including dimensions, specification sheets, and CAD drawings please visit the Support/Product Documents section of the Lynx website: lynxgrills.com



Shown: 24" Refrigerator and 24" Beverage Dispenser (LM24REFL and LM24BFR)



- MODEL LM24DWR**
24" REFRIGERATOR DRAWER
- UL listed for outdoor use
 - Stainless steel exterior
 - Energy Star rated
 - Temperature range 34° – 42° F
 - Audible alarms for door ajar
 - Drawer lock for security
 - Blue LED lighting
 - Full extension drawers
 - 5.0 cu. ft.



- MODEL LM24REFL / LM24REFR**
24" REFRIGERATOR
- UL listed for outdoor use
 - Stainless steel exterior
 - Energy Star rated
 - Temperature range 34° to 42° F
 - 5.3 cu. ft.
 - Audible alarms for door ajar
 - Two fully adjustable stainless steel shelves
 - Door lock for security
 - Blue LED lighting in interior
 - Ships either left or right hinge (select appropriate model)



- MODEL LM24REFCL / LM24REFCR**
24" REFRIGERATOR & FREEZER COMBINATION
- Energy Star rated
 - CSA certified for outdoor use to withstand elements like rain, high humidity and heat
 - Tested to perform in temperatures as high as 115° F
 - Adjustable shelving allows easy customization to meet your storage needs
 - Stainless steel exterior
 - Blue LED lighting on interior
 - Interior 1 cu. ft. freezer with self-closing door is large enough to hold up to 12 pints of ice cream
 - Automatic defrost provides frost-free freezer operation
 - Optional ice maker kit available to produce and store up to 13 lbs. of crescent ice (LMICEKIT)
 - Audible and visual alarms signal when door is left ajar to protect food freshness and minimize energy use
 - Refrigerator - 3.9 cu. ft.
 - Freezer - 1.0 cu. ft.
 - Ships either left or right hinge (select appropriate model)



- MODEL LM24BFL / LM24BFR**
24" BEVERAGE DISPENSER
- UL listed for outdoor use
 - Stainless steel exterior
 - Energy Star rated
 - Digital readout
 - Two half shelves convert unit to an all-refrigerator capable of storing perishables
 - Temperature range 34° – 46° F
 - Audible alarms for door ajar
 - Includes drain pan and floor shield
 - Thermal-efficient insulated cabinet ensures optimum energy efficiency & cooling performance

- Secure CO₂ tank storage area & drain bottle
- Door lock for security
- Rear port for external CO₂ tank option
- Ships either left or right hinge (select appropriate model)
- Most versatile outdoor beverage dispenser on the market, offers full beverage storage, or configured as a kegerator, designed for half kegs, pony kegs and sixth barrels/Cornelius kegs.
- Optional beer taps available (L24TWS, L24TWD)
- Half shelves to maintain CO₂ tank



MODEL L24TWS
Single Tower Head



MODEL L24TWD
Double Tower Head



Shown: 15" Lynx Refrigerator, Right Hinge (LM15REFR)



MODEL LM15WINEL / LM15WINER

15" WINE CELLAR

- 2.7 cu. ft. capacity
- Can store up to 24 bottles of wine total w/ (6) 4-bottle smooth-glide wine racks
- Stainless steel exterior
- Midnight black interior
- Blue LED lighting for interior
- Protects wine from agitation, allowing it to come to full maturation
- Heavy-gauge wine racks are shaped to safely cradle each wine bottle
- Full-extension ball bearing smooth-glide shelf system
- Now even quieter operation thanks to exclusive design enhancements to buffer & minimize sound
- Ships either left or right hinge (select appropriate model)



MODEL LM15REFL / LM15REFR

15" REFRIGERATOR

- UL listed for outdoor use
- Stainless steel exterior
- Midnight black interior
- Blue LED lighting for interior
- Energy Star rated
- Temperature range 34° to 42° F
- 2.73 cu. ft.
- Audible alarms for door ajar
- Two fully adjustable stainless steel shelves
- Door lock for security
- Ships either left or right hinge (select appropriate model)



MODEL LM15ICER

15" OUTDOOR ICE MACHINE

- CSA certified for outdoor use
- Energy Star rated
- Stainless steel exterior
- Midnight black interior
- Blue LED lighting for interior
- Engineered to produce pure, clear ice with unrivaled clarity
- Produces up to 39 pounds of clear ice daily
- Close Door Assist System™ allows for gentle close
- Stainless steel toe kick adjustable to 4" with leveling legs
- Audible alerts and programmed cleaning reminders
- Optional drain pump (LM15ICE-DP)
- Right hinged door only





WARMING DRAWERS



MODEL L42CC-1
42" WARMING DRAWER AND CONVENIENCE CENTER

- Warming drawer, storage cabinet & utility drawer in one convenient unit
- Sliding LP tank tray for safe & easy LP tank access
- Full width & depth utility drawer accommodates oversized grill tools, towels & condiments
- Warming drawer features are identical to the 30" Outdoor warming drawer (Model L30WD-1)
- Weather resistant stainless steel construction



MODEL L30WD-1
30" BUILT-IN WARMING DRAWER

- Temperature range of 90° – 220° F
- Equipped w/ two removable steam pans, lids & steam racks
- Moist & crisp settings allow you to keep food at the desired texture
- Concealed heating element allows you to use the drawer as a towel or robe warmer
- "On" indicator light reminds you that the drawer is on
- Weather resistant stainless steel construction

MODEL	DESCRIPTION	UMRP	MSRP
LM15ICER	15" Outdoor Ice Machine	\$ 3,099	\$ 3,299
LM15ICE-DP	Optional Drain Pump for 15" Outdoor Ice Machine	\$ 599	\$ 649
LM15REFL/R	15" Outdoor Refrigerator	\$ 2,349	\$ 2,559
LM15WINEL/R	15" 20 Bottle Wine Cellar	\$ 3,199	\$ 3,399
LM24REFL/R	24" Outdoor Refrigerator	\$ 2,499	\$ 2,799
LM24REFCL/R	24" Outdoor Refrigerator & Freezer Combination	\$ 3,299	\$ 3,599
LMICEKIT	Ice Maker Kit for LM24REFCL / LM24REFCR	\$ 429	\$ 469
LM24BFL/R	24" Outdoor Refrigerator / Convertible to Beverage Dispenser	\$ 2,999	\$ 3,299
L24TWS	Single Tap Tower Kit	\$ 549	\$ 599
L24TWD	Double Tap Tower Kit	\$ 849	\$ 929
LM24DWR	24" Two Drawer Refrigerator	\$ 3,799	\$ 4,099
L30WD-1	30" Warming Drawer	\$ 1,729	\$ 1,879
L42CC-1	42" Convenience Center with Warming Drawer, Utility Drawer and Tank Storage	\$ 2,899	\$ 3,099
CCTWR	Beverage Dispenser / Single Tower Tap Head Carbon Fiber Vinyl Cover	\$ 59	\$ 69

30" Warming Drawer Shown: Most popular uses include keeping food warm, and keeping towels warm for pool guests.

NOTE: For planning and installation details, including dimensions, specification sheets, and CAD drawings please visit the Support/Product Documents section of the Lynx website: lynxgrills.com

SINKS/FAUCET/COCKTAIL PRO STATION



Shown: 30" Cocktail Station



MODEL LSK30
SINK

- Basin size 26 3/4" x 16 1/2" x 10"
- 3 1/2" drain w/ stopper & basket
- Accommodates disposal unit
- Fully insulated (ice capacity 30 lbs.)
- Sized to accommodate faucet LPFK
- Blue LED lights & switch
- Stainless steel cover included



MODEL LSK24
SINK

- Basin size 20 3/4" x 16 1/2" x 10"
- 3 1/2" drain w/ stopper & basket
- Accommodates disposal unit
- Fully insulated (ice capacity 24 lbs.)
- Sized to accommodate faucet LPFK
- Blue LED lights & switch
- Stainless steel cover included



MODEL LSK18
SINK

- Basin size 14 3/4" x 16 1/2" x 10"
- 3 1/2" drain w/ stopper & basket
- Accommodates disposal unit
- Fully insulated (ice capacity 18 lbs.)
- Sized to accommodate faucet LPFK
- Blue LED lights & switch
- Stainless steel cover included



MODEL LPFK
OUTDOOR FAUCET

- Pull down feature
- Solid stainless steel faucet
- Outdoor rated 10 year warranty
- Hot/cold or cold only
- Washerless operation
- High arch fits larger pots & pans
- Single lever handle operation
- Sleek modern design



MODEL LCS30
30" BUILT-IN COCKTAIL PRO

- Built-in bottle opener w/ integral cap catcher
- Front panel illumination w/ blue LEDs
- Bottle boots for chilling juices, wines and mixes
- Speedrail front bottle storage for quick & easy access
- Insulated ice bin w/ sliding stainless steel cover holds ice for extended periods of time
- Stainless steel sink w/ pull down faucet
- Convenient integrated towel holder
- Stainless steel cover included



MODEL LCS30F
30" FREESTANDING COCKTAIL PRO

Same features as LCS30 (left) plus:

- Two fold-down shelves
- Doors include bottle shelves that are removable for easy cleaning
- Four commercial casters make these units easy to move
- Rigid welded construction ensures strength & longevity
- Shown w/ optional pass shelf w/ halogen light (LCSPS)
- Stainless steel cover included

MODEL	DESCRIPTION	UMRP	MSRP
LSK18	18" Insulated Sink	\$ 999	\$ 1,099
LSK24	24" Insulated Sink	\$ 1,199	\$ 1,299
LSK30	30" Insulated Sink	\$ 1,399	\$ 1,559
LPFK	Pull Down Gooseneck Faucet	\$ 399	\$ 449
LCS30	Built-In Cocktail Pro Station	\$ 1,899	\$ 2,149
LCS30F	Freestanding Cocktail Pro Station	\$ 2,699	\$ 2,999
LCSPS	Pass Shelf accessory with halogen light	\$ 449	\$ 499
CCLSK18	18" Sink Carbon Fiber Vinyl Cover (for sink with faucet LPFK)	\$ 129	\$ 139
CCLSK24	24" Sink Carbon Fiber Vinyl Cover (for sink with faucet LPFK)	\$ 139	\$ 149
CCLSK30	30" Sink or 30" Cocktail Carbon Fiber Vinyl Cover (for sink/cocktail pro w/ faucet LPFK)	\$ 149	\$ 159

NOTE: For planning and installation details, including dimensions, specification sheets, and CAD drawings, please visit the Support/Product Documents section of the Lynx website: lynxgrills.com



VENTANA TRASH CENTERS AND CHUTE

VENTANA STORAGE COLLECTION

The Lynx Ventana Collection of elegant outdoor storage solutions is named after the Ventana Wilderness, 240,000 acres along the Big Sur coast in central California that is renowned as a destination for restoration of the spirit and soul. This coast has been described as “the greatest meeting of mountains and sea”.

Combining beauty with functionality, smooth front facings, recessed handles, and handcrafted framing merge to form a sleek and contemporary balance to your Lynx outdoor kitchen. Dust and water resistant, each door and drawer softly closes itself as if to punctuate the elegance of an artistic statement. The Ventana Collection from Lynx proves that small things can make a big difference.



SEALED FRAME



HANDCRAFTED FRAMING



SOFT CLOSE HINGES



SOFT CLOSE SLIDES



FLUSH MOUNTED REVERSIBLE HANDLE



MODEL L20TR-4

OUTDOOR TRASH & RECYCLE CENTER

- Robust commercial design
- Slide out trash/recycle bins
- Easily removable for cleaning
- Includes two removable bins for trash & recycling
- Sealed along framing to help aid in dust & water prevention
- Flush mounted reversible handle
- No crevices for insects to nest
- Sleek contemporary look



MODEL LTA30-4

30" TRASH CENTER & DOUBLE DRAWERS

- Combination trash center/storage system
- Robust commercial design
- Slide out trash/recycle bins
- Accommodates an LP tank
- Two stacked drawers
- Sealed along framing to help aid in dust & water prevention
- Flush mounted reversible handle
- Easy to clean
- No crevices for insects to nest
- Sleek contemporary look
- Illuminated drawers & door space



MODEL LTWL

OUTDOOR TOWEL DISPENSER

- Provides a concealed, attractive option
- Accommodates a standard roll of paper towels
- Heavy-duty welded construction
- Door swings down
- Sealed along framing to help aid in dust & water prevention
- Soft close hinge
- Flush mounted reversible handle



MODEL LTB

OUTDOOR TOWEL BAR

- Add a convenient towel bar to the face of any Lynx outdoor kitchen
- Complements the aesthetic of other Lynx products with matching handle & end cap design



MODEL L18TS

TRASH CHUTE

- Perfect complement to our Trash Center
- Convenient disposal without opening the door
- Includes slide-away commercial cutting board
- Stainless steel cover w/ professional handle

MODEL	DESCRIPTION	UMRP	MSRP
L20TR-4	Lynx 20" Trash & Recycle Bins - Slide-out, Framed	\$ 839	\$ 929
LTA30-4	30" Trash Center & Double Drawer Combo	\$ 1,199	\$ 1,319
LTWL	Paper Towel Dispenser	\$ 349	\$ 389
LTB	Towel Bar	\$ 129	\$ 149
L18TS	Countertop Trash Chute w/ Cutting Board	\$ 349	\$ 389
CCTS	Trash Chute Carbon Fiber Vinyl Cover	\$ 59	\$ 69

NOTE: For planning and installation details, including dimensions, specification sheets, and CAD drawings please visit the Support/Product Documents section of the Lynx website: lynxgrills.com



MODELS LSA30-4 / LSA36-4 / LSA42-4

OUTDOOR KITCHEN STORAGE SYSTEM

- Access door & double drawer combination
- 30", 36" & 42" sizes available
- Each drawer is 25 1/2" deep
- Illuminated drawers & door space
- Soft close drawer slides
- Soft close door hinges
- Sealed along framing to help aid in dust & water prevention
- Flush mounted reversible handle
- Door Accessory kits available
- Easy to clean
- No crevices for insects to nest
- Sleek contemporary look



**MODELS LDR18L-4 / LDR18R-4 / LDR24L-4 / LDR24R-4
LDR30T-4 / LDR36T-4 / LDR42T-4**

SINGLE ACCESS DOORS / DOUBLE ACCESS DOORS

- 18", 24", 30", 36" & 42" sizes available
- Left or right-hinge available on single access doors
- Sealed along framing to help aid in dust & water prevention
- Soft close hinge
- Flush mounted reversible handle
- Door Accessory kits available
- Easy to clean
- No crevices for insects to nest
- Sleek contemporary look



DOOR ACCESSORY KIT

- Two bottle holders
- One towel bar

MODEL	DESCRIPTION	UMRP	MSRP
LPA36-4	Sealed Pantry	\$ 2,089	\$ 2,189
LMD-4	Modular Drawer (single drawer)	\$ 509	\$ 559
LMDKIT	Modular Drawer Kit (allows you to stack model LMD 2 or 3 high)	\$ 69	\$ 89
LDW16-4	Double Drawers	\$ 849	\$ 939
LDW19-4	Extra Large Double Drawers	\$ 1,149	\$ 1,269
LSA30-4	30" Access Door & Double Drawer Combination	\$ 1,229	\$ 1,359
LSA36-4	36" Access Door & Double Drawer Combination	\$ 1,329	\$ 1,469
LSA42-4	42" Access Door & Double Drawer Combination	\$ 1,429	\$ 1,579
LDR18L-4	18" Single Access Door (Hinge Left)	\$ 439	\$ 479
LDR18R-4	18" Single Access Door (Hinge Right)	\$ 439	\$ 479
LDR24L-4	24" Single Access Door (Hinge Left)	\$ 529	\$ 579
LDR24R-4	24" Single Access Door (Hinge Right)	\$ 529	\$ 579
LDR30T-4	30" Double Access Doors	\$ 559	\$ 619
LDR36T-4	36" Double Access Doors	\$ 639	\$ 709
LDR42T-4	42" Double Access Doors	\$ 689	\$ 759
LDRKS	Door Accessory Pack Includes: 2 bottle holders & 1 Towel Bar & Mounting Kit for 18" & 30" doors	\$ 149	\$ 169
LDRKL	Door Accessory Pack Includes: 2 bottle holders & 1 Towel Bar & Mounting Kit for 24", 36" & 42" doors	\$ 159	\$ 179

NOTE: For planning and installation details, including dimensions, specification sheets, and CAD drawings please visit the Support/Product Documents section of the Lynx website: lynxgrills.com



MODEL LPA36-4

SEALED PANTRY

- Magnetic gasket ensures tight seal to protect cookware, dry goods & more from pests & weather
- Full extension glide out drawers
- Adjustable wire shelf
- Illuminated drawers
- Storage space is 31" x 18" x 23"
- Easy to clean
- No crevices for insects to nest
- Sleek contemporary look
- Door lock for security



MODEL LDW16-4

UTILITY DRAWERS - DOUBLE DRAWER

- Extended depth of 22" accommodates oversized items
- Fully extendable drawers on commercial stainless steel rollers facilitate smooth & consistent operation
- Rigid welded construction to ensure strength & longevity
- Soft close drawer slides
- Sealed along framing to help aid in dust & water prevention
- Flush mounted reversible handle
- Easy to clean
- No crevices for insects to nest
- Sleek contemporary look



MODEL LMD-4

MODULAR STORAGE DRAWER

- Interior drawer: 20 3/8" W x 23" D x 4 7/8" H
- Drawer face: 7 5/8" H x 23 5/8" W
- Shallow depth, easy to organize storage solution
- Rigid stainless steel construction
- Full extension drawer slides for easy access to the back of the drawer
- Drawers can be installed individually or stacked in 2 or 3-drawer configurations
- 3-drawer configuration matches the height of Lynx LDR Access Doors
- A Modular Drawer Kit (Model LMDKIT) is required when drawers are stacked 2 or 3 high
- Flush mounted reversible handle
- Easy to clean
- No crevices for insects to nest
- Sleek contemporary look



MODEL LDW19-4

UTILITY DRAWERS - EXTRA LARGE DOUBLE DRAWER

- Extended depth of 22" accommodates oversized grill tools, spices, towels, or woodchips
- Fully extendable drawers on commercial stainless steel rollers facilitate smooth & consistent operation
- Rigid welded construction to ensure strength & longevity
- Soft close drawer slides
- Sealed along framing to help aid in dust & water prevention
- Flush mounted reversible handle
- Easy to clean
- No crevices for insects to nest
- Sleek contemporary look



PROFESSIONAL STORAGE SOLUTIONS



MODEL LSA30 / LSA36 / LSA42

OUTDOOR KITCHEN STORAGE SYSTEM

- Storage door with lock and double drawer combination
- 30, 36 and 42 inch sizes available
- Each drawer is fully enclosed and 24 1/2" deep
- Illuminated drawers and door space
- Lock secures both drawers and door
- Soft close drawer slides
- Shallow drawer for easy access to tools and accessories
- Deeper drawer for storing pots and pans



MODEL LDW16 / LDW19

DOUBLE DRAWERS

- Each drawer has an extended depth of 24 1/2" to accommodate oversized grill tools, spices, towels or wood chips
- Fully extendable drawers on stainless steel glides
- Rigid welded construction to ensure strength and longevity
- Professional style door handles
- Drawers are fully enclosed for protection



MODEL LDR18L / LDR18R / LDR24L / LDR24R / LDR30T / LDR36T / LDR42T

SINGLE ACCESS DOORS / DOUBLE ACCESS DOORS

- 18", 24", 30", 36" and 42" sizes available
- Left or right-hinge available on single access doors
- Internal storage racks





MODEL L18TC
OUTDOOR TRASH CENTER

- Robust commercial design
- Slide out trash and recycle bins
- Easily removable for cleaning
- Includes two removable bins for trash and recycling



MODEL LTA30
30" TRASH CENTER
& DOUBLE DRAWERS

- Combination trash center/storage system
- Robust commercial design
- Slide out trash/recycle bin
- Two stacked drawers
- Accommodates an LP tank



MODEL LUDE
UTILITY DRAWERS -
DOUBLE DRAWERS

- Each drawer exterior is 13" wide & 8.5" tall
- Extended depth of 22" accommodates oversized items
- Fully extendable drawers on commercial stainless steel rollers facilitate smooth & consistent operation
- Rigid welded construction to ensure strength & longevity
- Professional style door handles



MODEL LUDXL-1
UTILITY DRAWERS - EXTRA
LARGE DOUBLE DRAWERS

- Each drawer exterior is 18" wide & 10" tall
- Extended depth of 22" accommodates oversized grill tools, spices, towels or wood chips
- Fully extendable drawers on commercial stainless steel rollers facilitate smooth & consistent operation
- Rigid welded construction to ensure strength & longevity
- Professional style door handles



MODEL LMD
MODULAR STORAGE DRAWER

- Interior Drawer: 20 3/8" W x 23" D x 4 7/8" H
- Drawer Face: 7 5/8" H x 23 5/8" W
- Shallow depth, easy to organize storage solution
- Rigid stainless steel construction
- Full extension drawer slides for easy access to the back of the drawer
- Drawers can be installed individually or stacked in 2 or 3-drawer configurations
- 3-drawer configuration matches the height of Lynx LDR Access Doors
- A Modular Drawer Kit (Model LMDKIT) is required when drawers are stacked 2 or 3 high

MODEL	DESCRIPTION	UMRP	MSRP
LDR18L	18" Access Door (Hinge Left)	\$ 339	\$ 379
LDR18R	18" Access Door (Hinge Right)	\$ 339	\$ 379
LDR24L	24" Access Door (Hinge Left)	\$ 389	\$ 429
LDR24R	24" Access Door (Hinge Right)	\$ 389	\$ 429
LDR30T	30" Access Doors	\$ 489	\$ 549
LDR36T	36" Access Doors	\$ 569	\$ 629
LDR42T	42" Access Doors	\$ 619	\$ 689
LSA30	30" Storage door & double drawer combination	\$ 1,179	\$ 1,309
LSA36	36" Storage door & double drawer combination	\$ 1,289	\$ 1,419
LSA42	42" Storage door & double drawer combination	\$ 1,389	\$ 1,519
LPA36	36" Sealed Pantry	\$ 2,059	\$ 2,269
LUDE	Utility Drawers - Two full standard drawers w/ 5" offset handles	\$ 1,129	\$ 1,239
LUDXL-1	Utility Drawers - Two Extra large drawers w/ 5" offset handles.	\$ 1,489	\$ 1,639
LDW16	Double drawer 16" Wide (soft close)	\$ 819	\$ 919
LDW19	Double drawer 19" Wide (soft close)	\$ 1,129	\$ 1,239
LMD	Modular Drawer (single drawer)	\$ 509	\$ 579
LMDKIT	Modular Drawer Kit (allows you to stack model LMD 2 or 3 high)	\$ 69	\$ 89
LTA30	30" Trash and Double Drawers	\$ 1,179	\$ 1,309
L20TR	Trash and Recycle Center	\$ 819	\$ 909

NOTE: For planning and installation details, including dimensions, specification sheets, and CAD drawings please visit the Support/Product Documents section of the Lynx website: lynxgrills.com



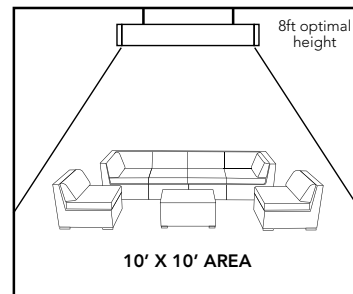
STEAK
LYNX
GERMANY



Shown: LHPM-ELC

MODEL LHPM
POST-MOUNTED INFRARED OUTDOOR HEATER

- Robust commercial design & 304 stainless steel construction
- Innovative technology that reduces the center "hot spot" & distributes heat more evenly
- Polished "double surface" reflector intensifies heat output
- Large heat radius
- Specially designed for improved wind resistance
- Direct spark ignition w/ auto re-light
- Remote wall switch operation (LHPM-ELC switch kit included)
- Electronic Hi/Lo heat selection
- 2-Stage output from 53,000 BTUs to 46,000 BTUs
- Available only w/ Natural Gas



MODEL LHEM48
EAVE-MOUNTED OUTDOOR HEATER

- All stainless steel welded construction
- Spark ignition w/ auto re-light
- Slim, attractive profile
- Decorative safety grill provides wind resistance
- Convenient, battery operated; requires no 110V electrical routing for basic installation
- Includes wireless, wall mounted, On/Off, Hi/Lo switch
- Includes an additional touch screen remote control (pictured)
- Variable output from 35,000 BTUs to 24,000 BTUs
- Temperature control from 45° – 90° F
- Available in NG or LP



MODEL	DESCRIPTION	UMRP	MSRP
LHPM	Post-Mounted Infrared Outdoor Heater (NG)	\$ 1,199	\$ 1,299
LHEM48	Eave-Mounted Heater	\$ 1,999	\$ 2,199
LHPM-BC	Base Mounting Cover (for use with LHPM Only)	\$ 199	\$ 219
LHPM-IC	Island Post Hole Cover	\$ 99	\$ 109
CCMD	Outdoor Heater Dome Carbon Fiber Vinyl Cover / Fits Models LHPM	\$ 219	\$ 239



MODELS
LIJ27 / LIJ30 / LIJ36 / LIJ42 / LIJ54

INSULATED JACKET

- Mandatory for grills installed in islands w/ combustible materials
- Attractive all welded, insulated construction



MODEL LSTLP
SLIDING TANK TRAY

- This sliding tank tray provides easy access to your LP tank
- Available for 30", 42" and 54" freestanding cart models



MODELS
LOH36 / LOH48 / LOH60

OUTDOOR VENT HOODS

- 3-speed motor control
- Internal or external blower (sold separately)
- UL rated for outdoors
- 50 watt halogen lights



MODEL LSTK
LYNX STEAK KNIFE SET

- Set includes six 5 inch steakhouse style knives with beautiful wooden case
- Black and stainless steel handles
- Quality durable construction
- Blades slice easily through food

MODEL	DESCRIPTION	UMRP	MSRP
LOH36	36" Outdoor Vent Hood (Blower sold separately)	\$ 1,799	\$ 1,999
LOH48	48" Outdoor Vent Hood (Blower sold separately)	\$ 2,499	\$ 2,699
LOH60	60" Outdoor Vent Hood (Blower sold separately)	\$ 2,999	\$ 3,399
LOHE	External Blower Motor rated at 1,400 CFM	\$ 1,199	\$ 1,299
LOHI	Internal Blower Motor rated at 1,200 CFM	\$ 829	\$ 899
LOH1236	12" duct cover for 36" hood	\$ 249	\$ 289
LOH1836	18" duct cover for 36" hood	\$ 259	\$ 299
LOH1248	12" duct cover for 48" hood	\$ 259	\$ 299
LOH1848	18" duct cover for 48" hood	\$ 279	\$ 319
LOH1260	12" duct cover for 60" hood	\$ 299	\$ 339
LOH1860	18" duct cover for 60" hood	\$ 329	\$ 369
LIJ27	Insulated Jacket for 27" Grill	\$ 629	\$ 699
LIJ30	Insulated Jacket for 30" Grill and Asado Grill	\$ 649	\$ 729
LIJ36	Insulated Jacket for 36" Grill	\$ 679	\$ 739
LIJ42	Insulated Jacket for 42" Grill	\$ 699	\$ 779
LIJ54	Insulated Jacket for 54" Grill	\$ 739	\$ 799
LSTLP	Sliding Tank Tray, cart units 30", 42" and 54" only	\$ 199	\$ 219
LSTK	Lynx Steak Knife Set	\$ 119	\$ 129

NOTE: For planning and installation details, including dimensions, specification sheets, and CAD drawings please visit the Support/Product Documents section of the Lynx website: lynxgrills.com



MODEL RB8
ROTISSERIE BASKET

- Versatile cooking accessory, great for vegetables, chicken wings, roasting coffee beans & more
- Compatible w/ any Lynx or Sedona by Lynx rotisserie grill
- Works w/ both the rear rotisserie burner or standard grilling burners
- Easy-to-clean & dishwasher safe



MODEL GP
GRIDDLE PLATE

- Cook anything on your grill
- Easy-to-clean stainless steel surface
- 11" x 15" cooking surface
- Angled 5° slope front to rear to prevent spillage
- 4 feet firmly grip grates
- 2" high sides



MODEL LGRT
GRILLING TOOL SET

- 3-piece tool set with additional basting brush attachment
- Spatula has a serrated leading edge that allows tool to slide easily under food
- Cleaning tool helps eliminate baked foods from solid grates
- Tongs w/ locking mechanism to grip food easily
- Basting brush to easily baste juices onto food; attachment also works with cleaning tool
- Large, durable handles
- Ergonomic handle designed for maximum comfort, efficiency & ease of use



LYNX SONOMA BLEND SMOKING CHIPS

- Comes in 4 different flavors
- No soaking required

MODEL	DESCRIPTION	UMRP	MSRP
RB8	Rotisserie Basket	\$ 149	\$ 159
LGRT	Grilling Tool Set	\$ 179	\$ 199
GP	Griddle Plate	\$ 279	\$ 339
PROLPK	30" / 42" / 54" Grills - NG to LP Conversion Kit	\$ 74	\$ 79
PRONGK	30" / 42" / 54" Grills - LP to NG Conversion Kit	\$ 39	\$ 44
PRELPK	27" / 36" Grills - NG to LP Conversion Kit	\$ 59	\$ 64
PRENGK	27" / 36" Grills - LP to NG Conversion Kit	\$ 24	\$ 27
ATRLPK	All Trident 30" / 36" / 42" - NG to LP Conversion Kit	\$ 98	\$ 109
ATRNGK	All Trident 30" / 36" / 42" - LP to NG Conversion Kit	\$ 52	\$ 57
SLPK	Side Burners - NG to LP Conversion Kit	\$ 6	\$ 7
SNGK	Side Burners - LP to NG Conversion Kit	\$ 6	\$ 7
LPEK	12' extension cord between a Lynx Grill and a Lynx Accessory	\$ 20	\$ 24
LASK	Lynx Accessory Switch Kit - Switch & transformer to operate an accessory independently	\$ 50	\$ 55
LSCA	Woodchip Blend, Apple	\$ 12	\$ 13
LSCH	Woodchip Blend, Hickory	\$ 12	\$ 13
LSCM	Woodchip Blend, Mesquite	\$ 12	\$ 13
LSCP	Woodchip Blend, Pecan	\$ 12	\$ 13
LSCF	Woodchip Blend - Four Pack: Apple, Hickory, Mesquite & Pecan	\$ 45	\$ 49

NOTE: For planning and installation details, including dimensions, specification sheets, and CAD drawings please visit the Support/Product Documents section of the Lynx website: lynxgrills.com

FEATURES

- Custom tailored fit
- Deep embossed Lynx logo
- Extra-durable carbon fiber vinyl
- Thick felt lining to protect the sleek stainless steel finish
- Pocket seams w/ flexible nylon cord for a secure fit
- Rear vent to help expel moisture
- Nylon finger loops help pull & secure the cover over the grill



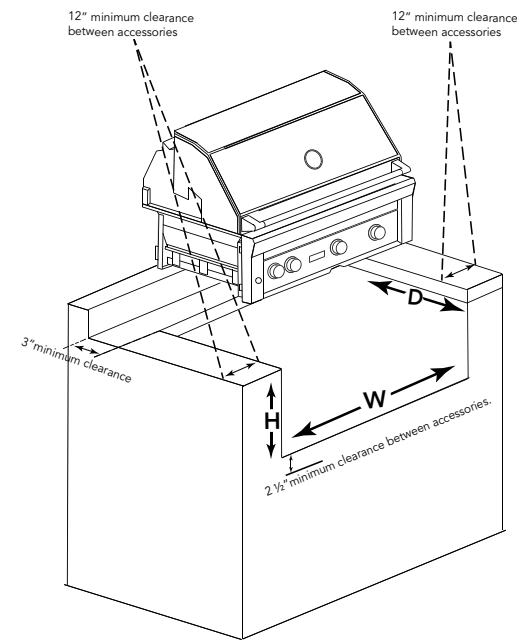
BUILT-IN GRILL COVER



FREESTANDING GRILL COVER

MODEL	DESCRIPTION	UMRP	MSRP
CC27	27" Carbon Fiber Vinyl Cover (Built-In)	\$ 129	\$ 139
CC27F	27" Carbon Fiber Vinyl Cover (Freestanding)	\$ 199	\$ 229
CC27FCB	27" Carbon Fiber Vinyl Cover (Freestanding w/ Side Burner)	\$ 239	\$ 259
CC30	30" Grill Carbon Fiber Vinyl Cover (Built-In)	\$ 149	\$ 169
CC30F	30" Grill or Smoker Carbon Fiber Vinyl Cover (Freestanding)	\$ 219	\$ 239
CC30FCB	30" Carbon Fiber Vinyl Cover (Freestanding w/ Side Burner)	\$ 249	\$ 279
CC30M	30" Grill Vinyl Cover (Mobile Kitchen Cart)	\$ 299	\$ 329
CC36	36" Carbon Fiber Vinyl Cover (Built-In)	\$ 169	\$ 189
CC36F	36" Carbon Fiber Vinyl Cover (Freestanding)	\$ 229	\$ 259
CC36FCB	36" Carbon Fiber Vinyl Cover (Freestanding w/ Side Burner)	\$ 259	\$ 289
CC42	42" Carbon Fiber Vinyl Cover (Built-In)	\$ 179	\$ 199
CC42F	42" Carbon Fiber Vinyl Cover (Freestanding)	\$ 249	\$ 279
CC42FCB	42" Carbon Fiber Vinyl Cover (Freestanding w/ Side Burner)	\$ 279	\$ 309
CC54	54" All Grill Carbon Fiber Vinyl Cover (Built-In)	\$ 219	\$ 239
CC54F	54" All Grill Carbon Fiber Vinyl Cover (Freestanding)	\$ 299	\$ 329
CC54FCB	54" All Grill Carbon Fiber Vinyl Cover (Freestanding w/ Side Burner)	\$ 359	\$ 389
CCAGSERVE	Asado (L30AG-M) or Serve Countertop (LSERVE-M) Carbon Fiber Vinyl Cover (Mobile Kitchen Cart)	\$ 269	\$ 309
CCASADO	30" Asado Carbon Fiber Vinyl Cover (Built-In)	\$ 129	\$ 139
CCASADOF	30" Asado Carbon Fiber Vinyl Cover (Freestanding)	\$ 199	\$ 229
CCLPZA	30" Napoli Outdoor Oven Carbon Fiber Vinyl Cover (Countertop)	\$ 149	\$ 169
CCLPZAB	30" Napoli Outdoor Oven Carbon Fiber Vinyl Cover (Built-In)	\$ 149	\$ 169
CCLPZAF	30" Napoli Outdoor Oven Carbon Fiber Vinyl Cover (Freestanding)	\$ 299	\$ 329
CCSMK	30" Smoker Carbon Fiber Vinyl Cover (Countertop)	\$ 219	\$ 239
CCSMKB	30" Smoker Carbon Fiber Vinyl Cover (Built-In)	\$ 219	\$ 239
CCSMKM	30" Smoker Carbon Fiber Vinyl Cover (Mobile Kitchen Cart)	\$ 299	\$ 329
CCLSB1	Single Side Burner Carbon Fiber Vinyl Cover (Built-In)	\$ 79	\$ 89
CCLSB	Double Side Burner Carbon Fiber Vinyl Cover (Built-In)	\$ 99	\$ 109
CCLSB2PC	Double Side Burner with Prep Center Carbon Fiber Vinyl Cover	\$ 119	\$ 129
CCLPB	Power Burner Carbon Fiber Vinyl Cover	\$ 119	\$ 129
CCTWR	Beverage Dispenser / Single Tower Tap Head Carbon Fiber Vinyl Cover	\$ 59	\$ 69
CCTS	Trash Chute Carbon Fiber Vinyl Cover	\$ 59	\$ 69
CCMD	Patio Heater Dome Carbon Fiber Vinyl Cover / Fits Models LHPM and LHFS	\$ 219	\$ 239
CCLSK18	18" Sink Carbon Fiber Vinyl Cover (For Sink with Lynx Faucet LPFK)	\$ 129	\$ 139
CCLSK24	24" Sink Carbon Fiber Vinyl Cover (For Sink w/ Lynx Faucet LPFK)	\$ 139	\$ 149
CCLSK30	30" Sink or Cocktail Station Carbon Fiber Vinyl Cover (For sink/cocktail pro w/ faucet LPFK)	\$ 149	\$ 159

NOTE: For planning and installation details, including dimensions, specification sheets, and CAD drawings please visit the Support/Product Documents section of the Lynx website: lynxgrills.com

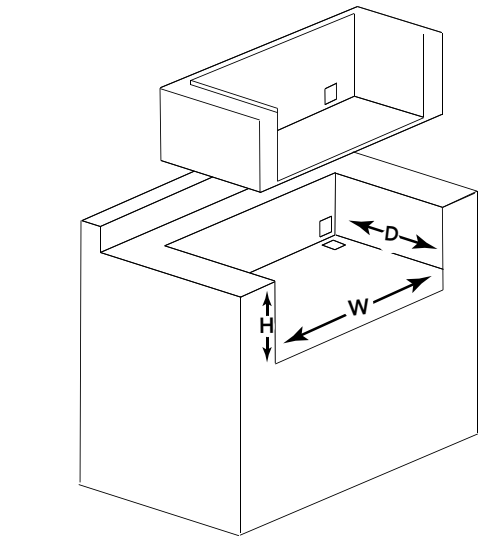


GRILLS

MODEL	W (Width)	H (Height)	D (Depth)
L27	26.00	10.88	22.00
L30	29.00	10.88	24.50
L36	35.00	10.13	22.00
L42	41.00	10.88	24.50
L54	53.00	10.88	24.50

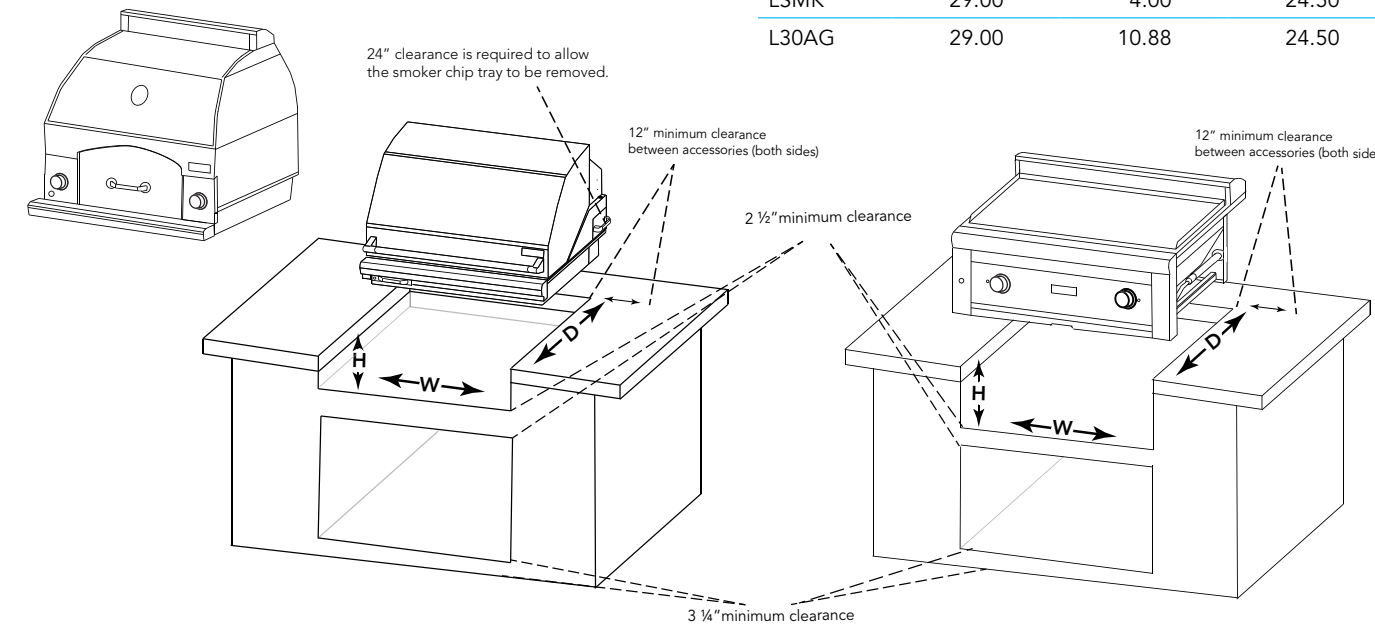
INSULATED JACKET

MODEL	W (Width)	H (Height)	D (Depth)
LIJ27	33.00	11.63	24.00
LIJ30	36.00	11.63	26.50
LIJ36	42.00	11.63	24.00
LIJ42	48.00	11.63	25.50
LIJ54	60.00	11.63	26.50



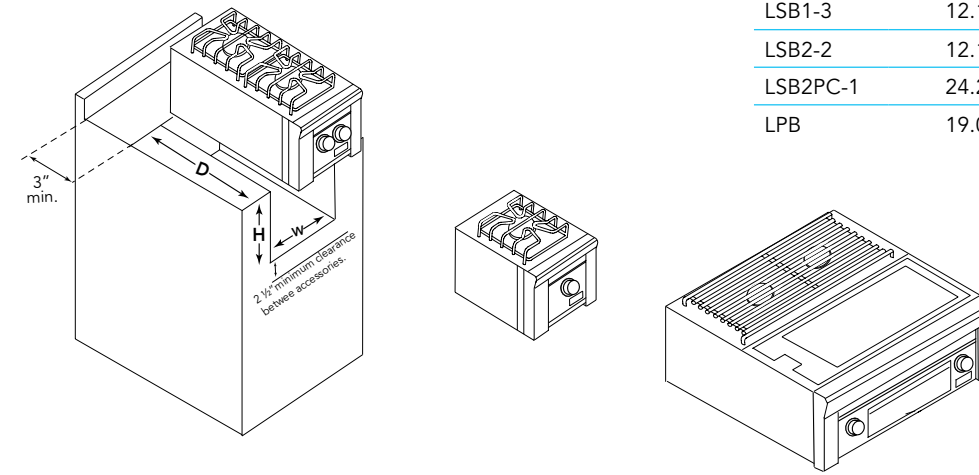
NAPOLI OUTDOOR OVEN/SMOKER/ASADO

MODEL	W (Width)	H (Height)	D (Depth)
LPZA	29.00	4.00	24.50
LSMK	29.00	4.00	24.50
L30AG	29.00	10.88	24.50



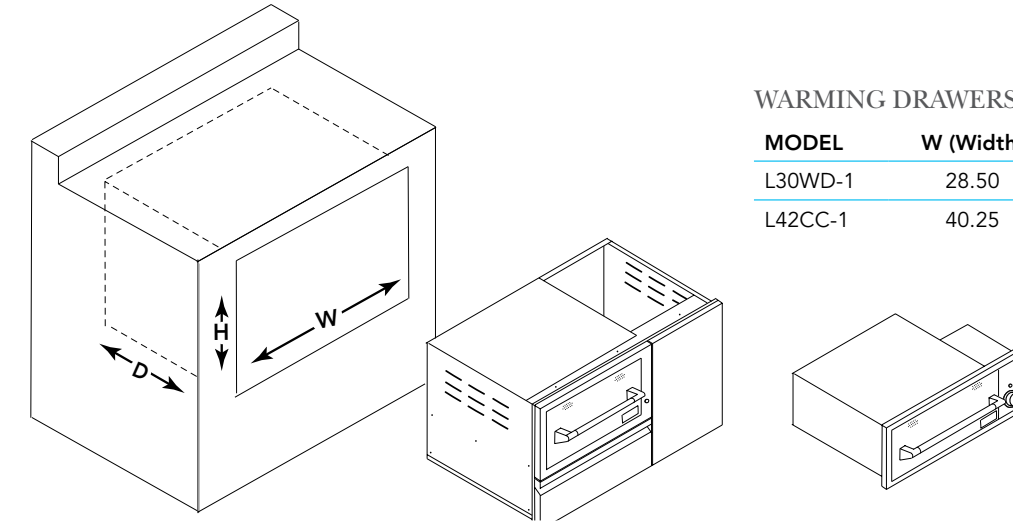
SIDE BURNERS

MODEL	W (Width)	H (Height)	D (Depth)
LSB1-3	12.13	10.63	12.50
LSB2-2	12.13	10.63	24.50
LSB2PC-1	24.25	10.63	24.50
LPB	19.00	10.63	22.00



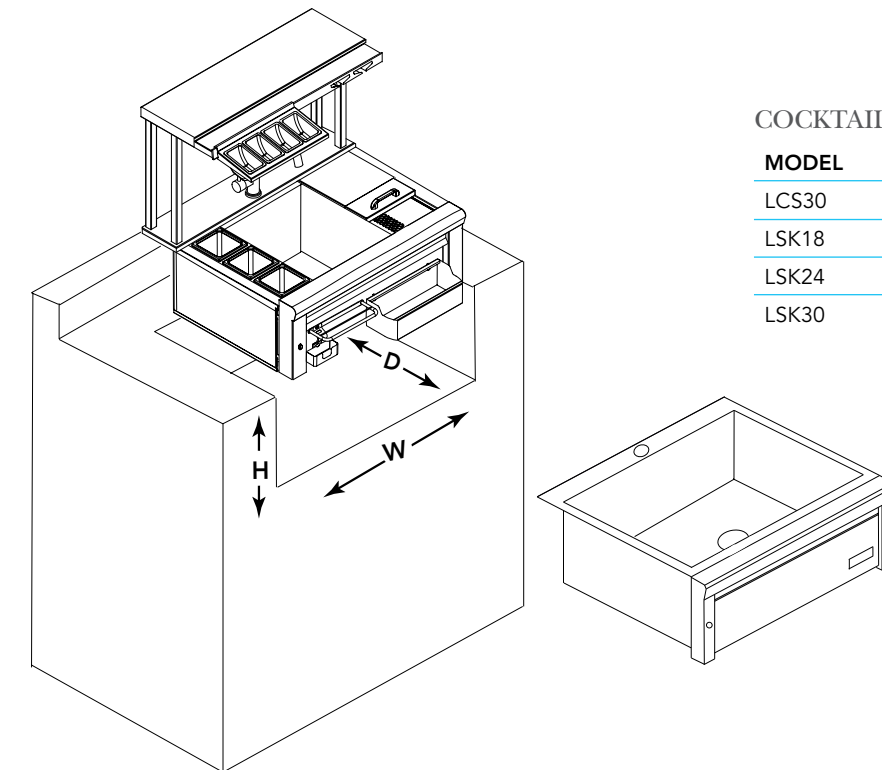
WARMING DRAWERS

MODEL	W (Width)	H (Height)	D (Depth)
L30WD-1	28.50	10.00	20.50
L42CC-1	40.25	19.38	24.50



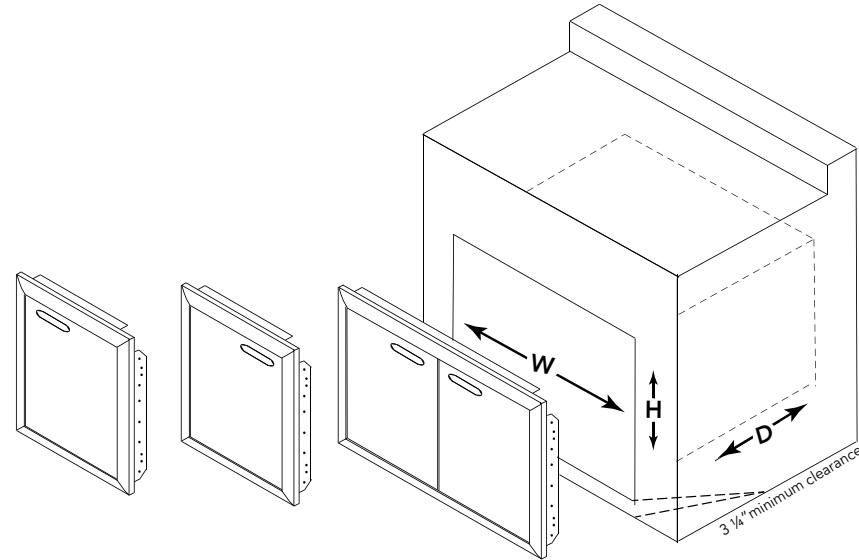
COCKTAIL PRO/SINKS

MODEL	W (Width)	H (Height)	D (Depth)
LCS30	29.00	10.50	22.00
LSK18	17.00	10.50	22.00
LSK24	23.00	10.50	22.00
LSK30	29.00	10.50	22.00



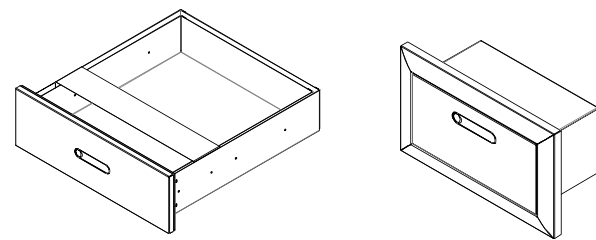
ACCESS DOORS

MODEL	W (Width)	H (Height)
LDR18L/R-4	13.38	19.00
LDR24L/R-4	19.25	19.00
LDR30T-4	25.13	19.00
LDR36T-4	31.50	19.00
LDR42T-4	37.50	19.00
LDR18L/R	13.63	19.00
LDR24L/R	19.25	19.00
LDR30T	25.25	19.00
LDR36T	31.63	19.00
LDR42T	37.63	19.00



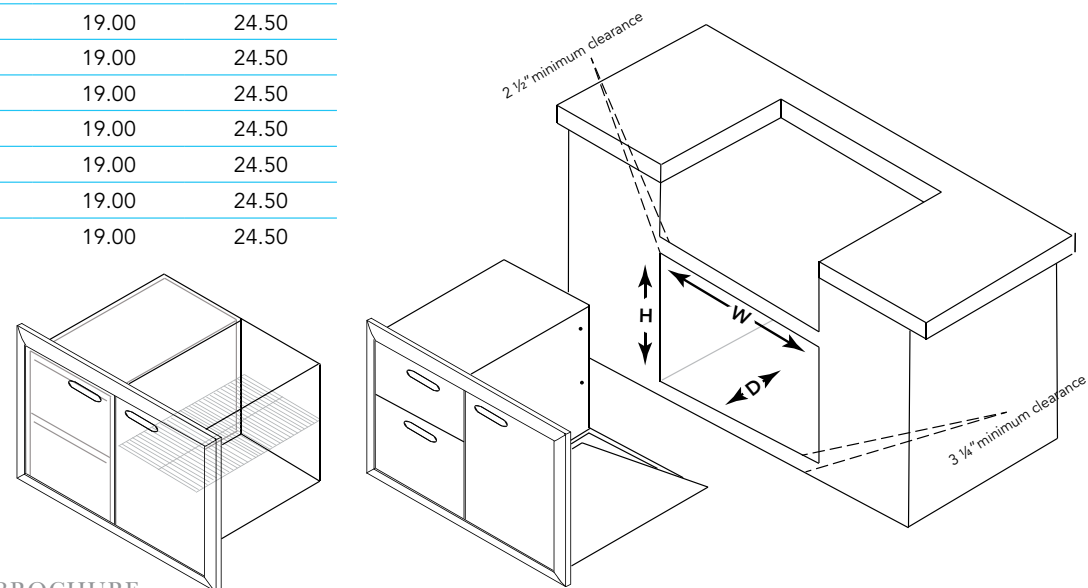
UTILITY DRAWERS

MODEL	W (Width)	H (Height)	D (Depth)
LDW16-4	12.25	19.00	24.50
LDW19-4	15.25	19.00	24.50
LMD-4	21.75	5.63	23.38
LTWL	14.63	7.25	7.00
LMD	21.75	5.63	23.38
LDW16	14.00	19.00	24.50
LDW19	17.50	19.00	24.50
LUDE	12.13	19.25	24.00
LUDXL-1	17.25	18.56	24.25



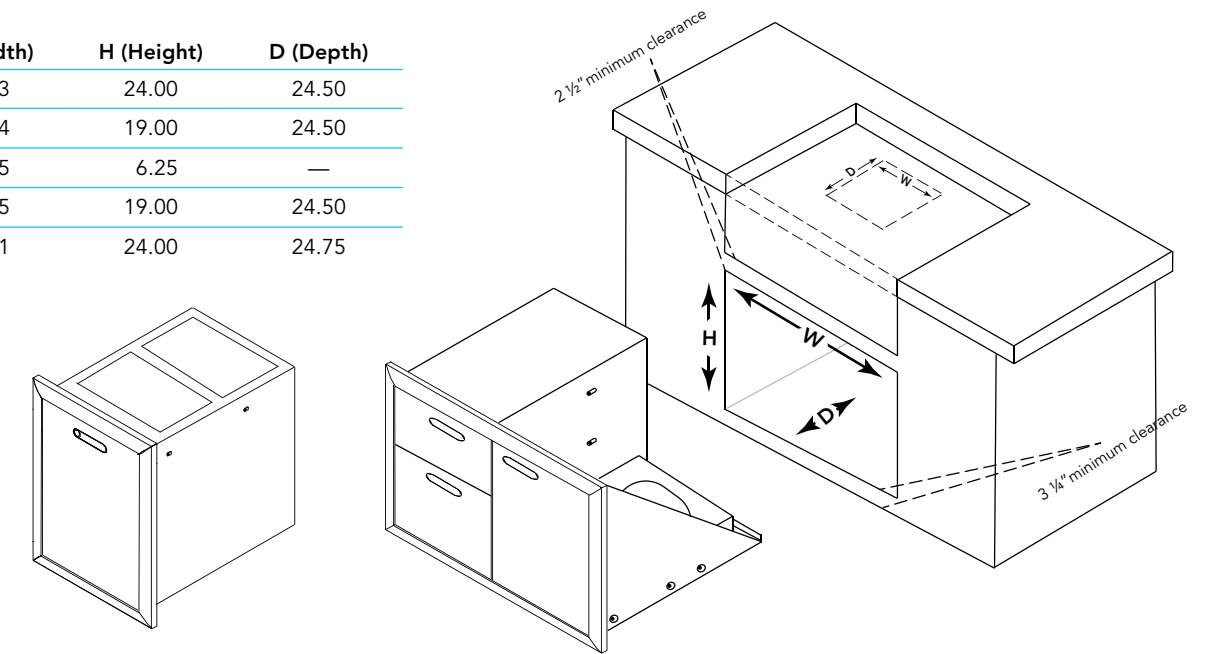
STORAGE SYSTEMS

MODEL	W (Width)	H (Height)	D (Depth)
LSA30-4	25.44	19.00	24.50
LSA36-4	31.44	19.00	24.50
LSA42-4	37.44	19.00	24.50
LPA36-4	31.50	19.00	24.50
LSA30	28.25	19.00	24.50
LSA36	34.25	19.00	24.50
LSA42	40.25	19.00	24.50
LPA36	34.25	19.00	24.50



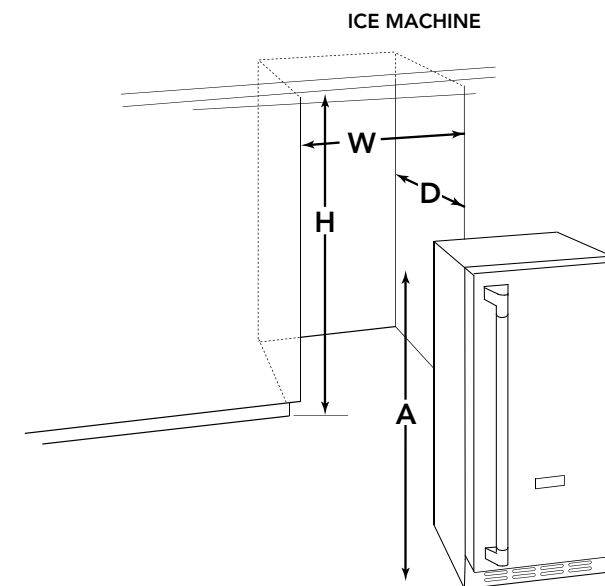
TRASH CENTERS

MODEL	W (Width)	H (Height)	D (Depth)
L20TR-4	16.13	24.00	24.50
LTA30-4	25.44	19.00	24.50
L18TS	8.25	6.25	—
LTA30	28.25	19.00	24.50
L20TR	16.81	24.00	24.75

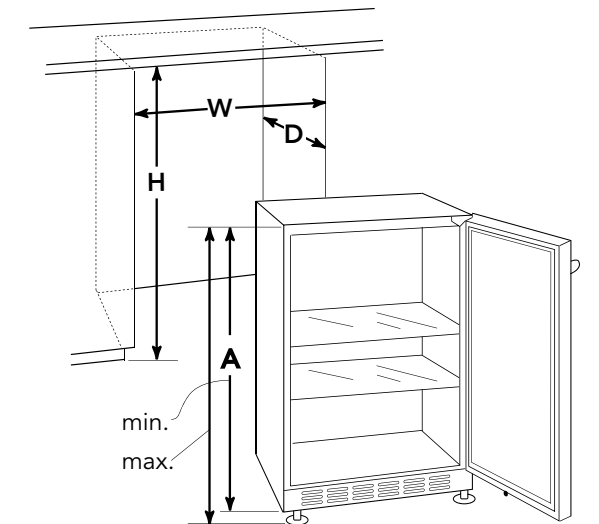


OUTDOOR ICE AND REFRIGERATION

MODEL	W (Width)	H (Height)	D (Depth)	A (Adj. Height)
LM15REF	15.00	34.00-35.00	24.00	33.75-34.75
LM24REF	24.00	34.00-35.00	24.00	33.75-34.75
LM24REFC	24.00	34.00-35.00	24.00	33.75-34.75
LM24BF	24.00	34.00-35.00	24.00	33.75-34.75
LM24DWR	24.25	34.00-35.00	24.00	33.75-34.75
LM15WINE	15.00	34.00-35.00	24.00	33.75-34.75
LM15ICER	15.00	34.00-35.00	24.00	33.75-34.75



OUTDOOR REFRIGERATORS



I. LIMITED LIFETIME WARRANTY

The stainless steel grill body, ceramic grill burners, cooking grates, Trident™ burner and rotisserie infrared burner are warranted to be free from defects in material and workmanship when subjected to normal domestic use and maintenance for the lifetime of the original purchaser. This warranty excludes surface corrosion, scratches, and discoloration which may occur during normal use. This warranty is limited to the replacement of the defective parts, with the owner paying a processing fee and all other costs including labor. Failure to perform required maintenance will void this warranty.

II. LIMITED FIVE-YEAR WARRANTY

The following grill parts are warranted to be free from defects in material and workmanship, when subjected to normal domestic use and maintenance, for a period of five (5) years from the original date of purchase; warming racks, spit rods, briquette trays, manifolds and gas valves. This warranty is limited to the replacement of the defective parts, with the owner paying a processing fee and all other costs including labor.

III. LIMITED TWO-YEAR WARRANTY

All other grill components are warranted to be free from defects in material and workmanship, when subjected to normal domestic use and maintenance, for a period of two (2) years from the original date of purchase. This warranty is limited to the replacement of the defective parts, with the consumer paying all labor costs.

IV. LIMITED ONE-YEAR WARRANTY

For a period of one (1) year from the original date of purchase, Lynx will replace or repair parts found to be defective at no cost to the original purchaser. This includes the cost of shipping replacement parts and, where necessary, service labor at prevailing local rates by a Lynx authorized service person. Service will be provided during normal business hours and must be authorized in advance by Lynx.

V. LIMITATIONS & EXCLUSIONS

- 1) This Warranty shall apply to products purchased and located in the United States and Canada. Products must be purchased in the country where service is requested.
- 2) Warranty applies only to the original purchaser and may not be transferred.
- 3) Warranty is in lieu of all other warranties expressed or implied and all other obligations or liabilities related to the sale or use of Lynx products.
- 4) Warranty shall not apply and Lynx is not responsible for damage resulting from misuse, abuse, failure to provide reasonable and necessary required maintenance, natural disaster, animals, and alteration of or tampering with the appliance, accident, hostile environment, flare-up fires, improper installation or operation, or an installation not in accordance with the instructions contained in this manual, or the local codes.

- 5) Lynx shall not be liable for incidental, consequential, special or contingent damages resulting from its breach of this written warranty or any implied warranty.
- 6) Some states do not allow limitations on how long an implied warranty lasts, or the exclusions of or limitations on consequential damages. This warranty gives you specific legal rights and you may have other rights which vary from state to state.
- 7) No one has the authority to add to or vary Lynx's warranty, or to create for Lynx any other obligation or liability in connection with the sale or use of its products.
- 8) Limited to the replacement of defective parts with the owner paying all other costs including labor.

VI. WHAT IS NOT COVERED: LYNX SHALL NOT BE RESPONSIBLE FOR AND SHALL NOT PAY FOR THE FOLLOWING

- 1) Installation or start-up, damages or problems caused by improper installation or use.
- 2) Service by an unauthorized service provider.
- 3) Damage or repair due to service by an unauthorized service provider or use of unauthorized parts.
- 4) Warranty does not apply to products installed in any commercial or non-residential application. Examples of excluded applications include, but are not limited to day care centers, schools, bed and breakfast centers, churches, private clubs, fire stations, club houses, common areas in multi-family dwellings, restaurants, hotels, nursing homes, food service locations and institutional food service locations. *Contact Lynx for Common Area Warranty.
- 5) To correct normal adjustments or settings, due to improper installation, commissioning or local gas supply properties.
- 6) Shipping and handling costs, export duties, installation, removal, or re-installation cost (RMA excluded).
- 7) Display models are sold "as is". If you have purchased a display model, please be advised that it is sold "as is" and that it is subject to the following warranty exclusions: any exterior or cosmetic damage is non-warrantable; any missing components will be replaced at consumers expense; major handling damage to manifold, valve and ignition system will be serviced at consumer's expense; all other warranties will remain in effect.
- 8) The cost of a service call to diagnose complaint.
- 9) Modification to Lynx product will void related warranties

* Please refer to Accessory Care & Use for respective warranties.

HOW TO OBTAIN SERVICE FROM LYNX

Before calling for service, please make sure you have the following information:

- Model Number
- Date of Purchase
- Proof of Purchase by the original owner
- Serial Number

Serial number can be located on the rating plate, which is located either on the underside of the drip tray or on the heat shield behind the front panel



For warranty service, contact the Lynx Customer Service Department for an authorized service agent near you at: **888.289.5969** or **service@lynxgrills.com**

Your satisfaction is of the utmost importance to us. If a problem cannot be resolved to your satisfaction, please write, fax, or email us:

Lynx Grills, Inc.
 7300 Flores Street
 Downey, CA 90242
 Service: 888.289.5969
 Tel: 888-289-5969 • Fax: 562-299-6978
 www.lynxgrills.com
 Contact Lynx for replacement parts.
 Parts are shipped F.O.B. Downey, CA

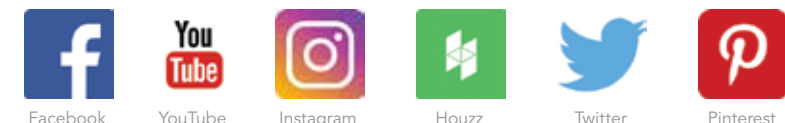


There's so much more online! Visit lynxgrills.com and check out our complimentary design service, full library of product information and documents, videos, and photos.

PRODUCT REGISTRATION ONLINE

Go to www.lynxgrills.com/support/registration to register your new professional Lynx Grill warranty. The information you provide will not be shared with third parties or individuals without your consent.

FIND US ON





EVERYTHING FOR THE OUTDOOR KITCHEN
PROUDLY HANDCRAFTED AND MANUFACTURED IN THE USA



FOR MORE INFORMATION, PLEASE CALL
1.888.289.5969 OR VISIT WWW.LYNXGRILLS.COM



LYNX GRILLS, INC.
7300 FLORES STREET DOWNEY, CA 90242

P/N 36441 04/01/2018 ©LYNX GRILLS, INC.