


# SAFE CLOSE

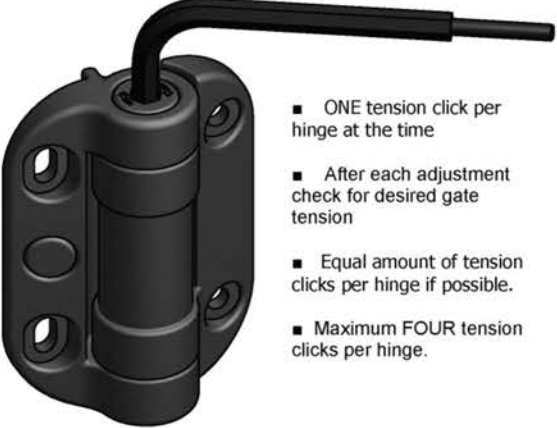
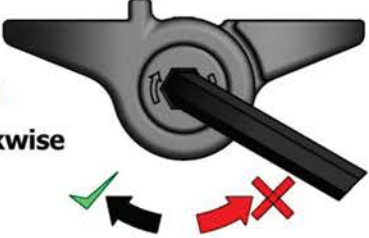
## SELF-CLOSING GATE HINGES

### Installation Instructions

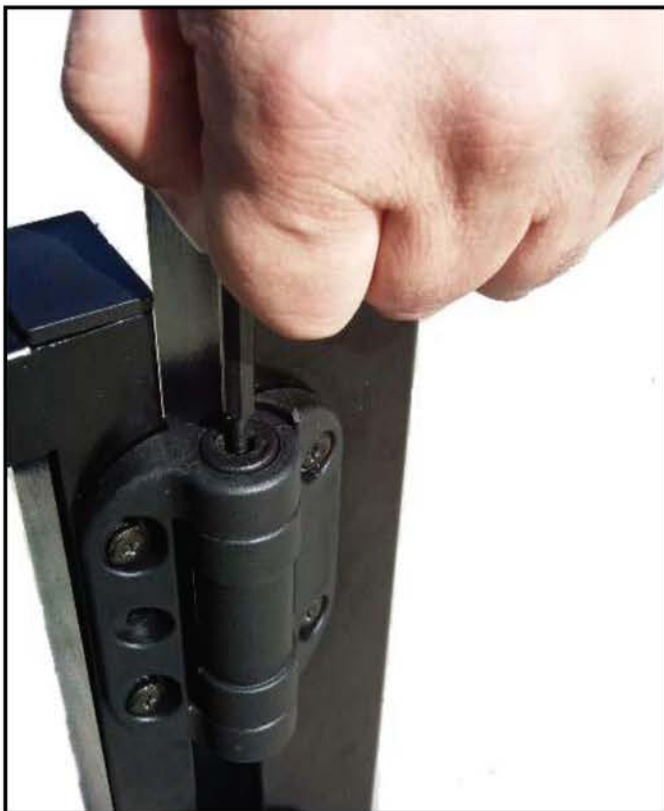



 **Increase Tension**

**Important!**  
Adjust clockwise only!

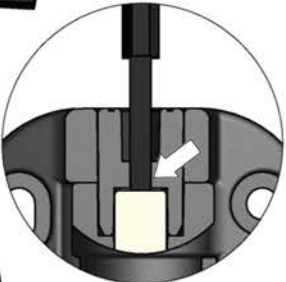



- ONE tension click per hinge at the time
- After each adjustment check for desired gate tension
- Equal amount of tension clicks per hinge if possible.
- Maximum FOUR tension clicks per hinge.

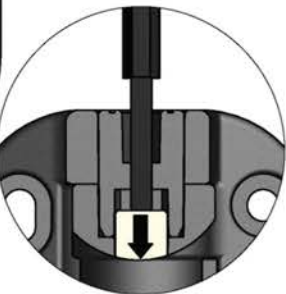


 **Release Tension**

**Insert Tool**



**Push to reset tension**



# SAFE CLOSE

## SELF-CLOSING GATE HINGES

### SUMO™ Hardware by LockeyUSA Limited Lifetime Warranty (this "Warranty")

1. Subject to the conditions and limitations set out below, SUMO™ Hardware ("SUMO™"), warrants that, for so long as the original purchaser of a product manufactured by SUMO™ owns that product (the "Product"), the Product will be free from all defects due to faulty design, materials or workmanship.
2. This Warranty is personal to the original purchaser of the Product, or to the first consumer where the Product has been purchased and installed by a contractor for the consumer's benefit, and is not transferable.
3. This Warranty does not apply in respect of defects due to or arising from:
  - (a) normal wear and tear;
  - (b) the failure to follow any procedures specified or recommended by SUMO™ for the installation, operation and maintenance of the Product;
  - (c) any act or circumstance beyond SUMO™'s control including tampering, unauthorized repairs or modifications, misuse, abuse, accident, damage in transit, damage caused by animals or natural events;
  - (d) any defect of or in any material to which the Product is attached; or
  - (e) the faulty workmanship of any person other than SUMO™ including the installer of the Product.
4. To claim under this Warranty:
  - (a) the purchaser must advise SUMO™ within 14 days of discovering a defect in the Product; and
  - (b) the purchaser must, at their own expense, return the defective Product to SUMO™ together with proof of purchase.
5. SUMO™ will not, under this Warranty, be responsible for consequential damages (such as loss of use) inconvenience, loss or damage to personal property, whether direct, indirect or economic and whether arising in contract or tort. Under this Warranty SUMO™'s responsibility shall not exceed the purchase price of the component or its replacement.
6. Where a failure does not amount to a major failure, SUMO™ will provide, at SUMO™'s option a repair, replacement or refund for the hardware component of. If a product or component is no longer available and cannot be repaired, SUMO™ will, in its absolute discretion, replace the product with a substitute item.
7. No other express warranty or representation has been made or will be made on behalf of SUMO™ with respect to its hardware components, or the operation, repair or replacement of those components. No representative of SUMO™ or its distributors or retailers are authorized to make any changes or modifications to this Warranty.

This Warranty is provided by  
SUMO™ Hardware by LockeyUSA.



*For technical support, contact [support@lockeyusa.com](mailto:support@lockeyusa.com) or call 888.395.0163.*