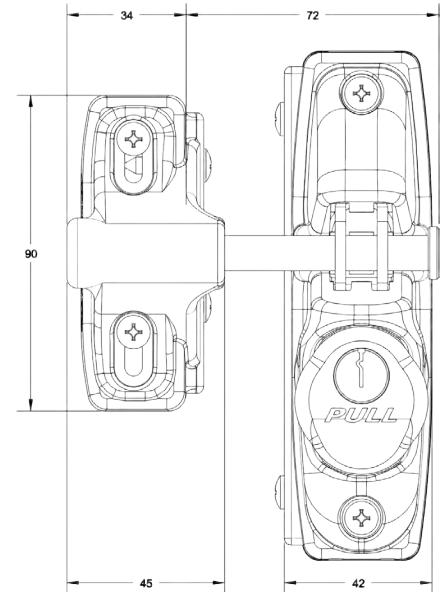


SGL-SS GRAVITY LATCH, SINGLE SIDED



Heavy duty gravity gate latch
Advanced catching system
2 independent latching hooks
Pull-to-open
Easy installation and adjustment

Dimensions	3.75 x 1.5 x 5.75 in.
Weight	1.05 lbs
Materials	Non-rusting polymers, aluminum, stainless steel
Adjustment	Vertical and Horizontal
Keys	2, provided
Keyway	Schlage 6 pin, rekeyable
Gate Material	Metal, Vinyl, Wood
Frame/Post Shape	Square
Min. Post Size	1½" + (38mm)
Ideal Gate Gap	¾" (19mm)
Mounting Method	Surface Mount, screw-on
Warranty	Limited Lifetime Warranty
Finish/Color	Black
Order Number	SGL-SS

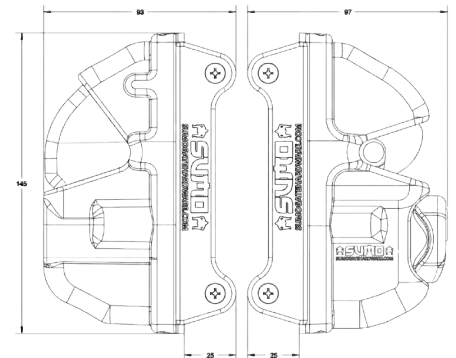
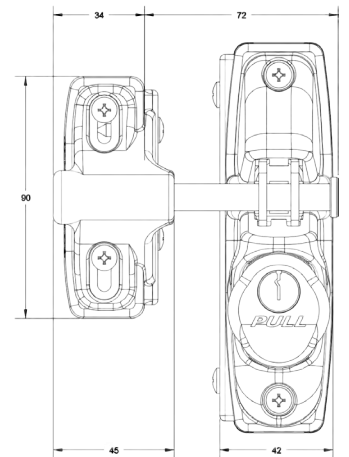


SGL-DS GRAVITY LATCH, DOUBLE SIDED



Double sided heavy duty gravity gate latch
Advanced catching system
2 independent latching hooks
Pull-to-open
Easy installation and adjustment

Dimensions	3.75 x 1.5 x 5.75 in.
Weight	1.45 lbs
Materials	Non-rusting polymers, aluminum, stainless steel
Adjustment	Vertical and Horizontal
Keys	2, provided
Keyway	Schlage 6 pin, rekeyable
Gate Material	Metal, Vinyl, Wood
Frame/Post Shape	Square
Min. Post Size	1½" + (38mm)
Ideal Gate Gap	¾" (19mm)
Mounting Method	Surface Mount, screw-on
Warranty	Limited Lifetime Warranty
Finish/Color	Black
Order Number	SGL-DS





SUMO™ GRAVITY LATCHES
SGL-SS SINGLE SIDED, SGL-DS DOUBLE SIDED