



TB250 TB450 TB650 ADJUSTABLE CLOSERS



FEATURES

- Adjustable hydraulic controlled closing speed
- Installs on top/middle/bottom
- Mounts on opening side of gate
- Pushes the gate closed
- Mounting brackets and fitting bar included
- Not compatible with gates less than 30 inches wide

OPTIONS

- Black (B)
- White (W)
- Gray (G)

COMPATIBLE WITH

TB-LINX**

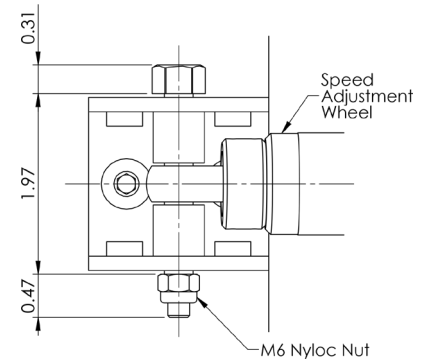
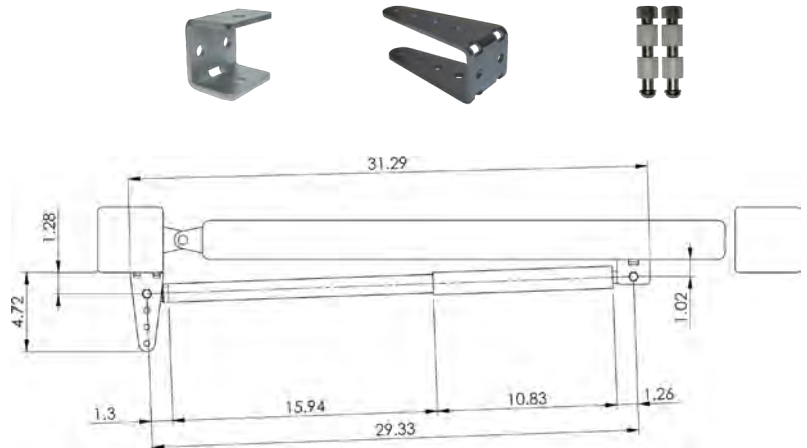
DIMENSIONS & SPECIFICATIONS

- Max. Opening Angle: 100 degrees
- Min. Operating Temperature: 15 degrees*
- Max. Operating Temperature: 122 degrees*
- Type of Gate Material: Vinyl, Wood, Steel, Chain Link**
- Closing/Latching Method: Hydraulic
- Material: Electro-galvanized (EG) Steel
- Finish: PVC Coated
- Hinge Arrangements: In-line or offset hinges

To retain product warranty & restrict the opening angle of the gate, a gate stop must be installed in conjunction with TB250, TB450, and TB650 Gate Closers. LockeyUSA recommends the GS90 or GS90LINX Gate Stop.

*Operation of the gate closer in temperatures below or above the minimum and maximum operating temperatures may result in improper operation or complete failure of the gate closer.

**TB250/TB450/TB650 Gate Closer can be mounted on chain link with TB-LINX, sold separately.



| ORDER # | SPECIFY COLOR | GATE WEIGHT | GATE WIDTH | OPENING PRESSURE |
|----------------------------|------------------------|--------------|------------|------------------|
| TB250B TB250W TB250G | Black White Gray | 50-125 lbs. | 30"-52" | 3-7 lbs. |
| TB450B TB450W TB450G | Black White Gray | 75-175 lbs. | 40"-64" | 6-12 lbs. |
| TB650B TB650W TB650G | Black White Gray | 150-250 lbs. | 44"-72" | 8-18 lbs. |