



FEATURES

- Hydraulic controlled closing speed
- Installs on top/middle/bottom
- Mounts on opening side of gate
- Pushes the gate closed
- Mounting brackets and fitting bar included
- Not compatible with gates less than 30 inches wide

OPTIONS

- Steel (Black)
- Stainless Steel (Silver)

COMPATIBLE WITH

TB-LINX**

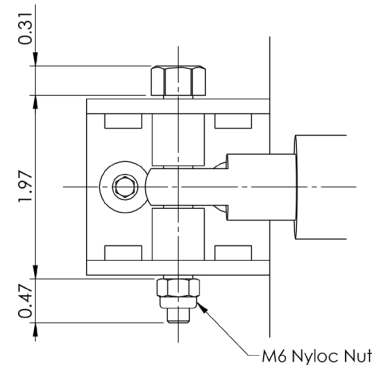
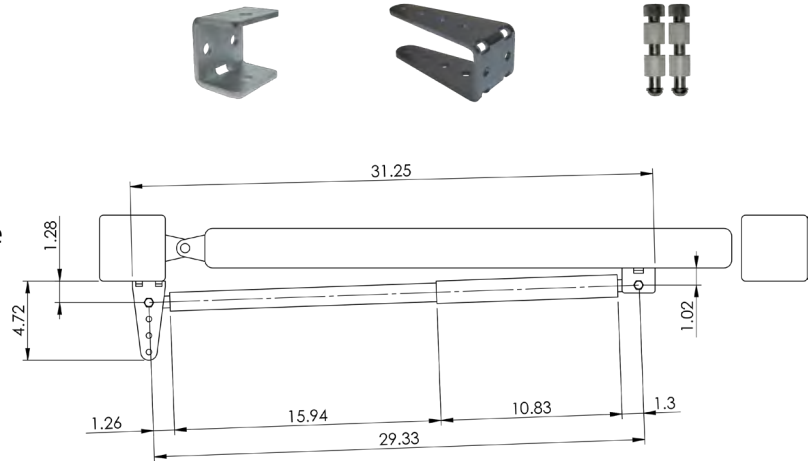
DIMENSIONS & SPECIFICATIONS

- Max. Opening Angle: 100 degrees
- Min. Operating Temperature: 15 degrees*
- Max. Operating Temperature: 122 degrees*
- Type of Gate Material: Vinyl, Wood, Steel, Chain Link**
- Closing/Latching Method: Hydraulic
- TB200/TB400/TB600 Finish: Painted
- TB200SS/TB400SS/TB600SS Finish: Stainless Steel
- Hinge Arrangements: In-line or offset hinges

To retain product warranty & restrict the opening angle of the gate, a gate stop must be installed in conjunction with TB200, TB400, and TB600 Gate Closers. LockeyUSA recommends the GS90 or GS90LINX Gate Stop.

*Operation of the gate closer in temperatures below or above the minimum and maximum operating temperatures may result in improper operation or complete failure of the gate closer.

**TB200/TB400/TB600 Gate Closer can be mounted on chain link with TB-LINX, sold separately.



ORDER #	MATERIAL	COLOR	GATE WEIGHT	GATE WIDTH	OPENING PRESSURE
TB200	EG Steel	Black	50-125 lbs.	30"-52"	3-7 lbs.
TB200SS	Stainless Steel	Silver	50-125 lbs.	30"-52"	3-7 lbs.
TB400	EG Steel	Black	75-175 lbs.	40"-64"	6-12 lbs.
TB400SS	Stainless Steel	Silver	75-175 lbs.	40"-64"	6-12 lbs.
TB600	EG Steel	Black	150-250 lbs.	44"-72"	8-18 lbs.
TB600SS	Stainless Steel	Silver	150-250 lbs.	44"-72"	8-18 lbs.