

## Lockey Keyless Lock – Additional Instructions

---

***NOTE: The LOCKEY 1600 is field reversible. The LOCKEY 1150 is NOT. Before installing lock using 1150 instructions, follow the instructions below to determine handing and correct tailpiece.***

- Determine the handing of your 1600 Lock.

Handing is determined by the location of your hinges when looking at the door from the outside.

RIGHT-HANDED DOORS: Hinges are on right-side of the door.

LEFT-HANDED DOORS: Hinges are on the left-side of the door.

- Based on the handing, identify the correct tailpiece.

The RED tailpiece is used for right-handed doors.

The BLUE tailpiece is used for left-handed doors.

- [REPLACE 1150 II-8]: Determine the correct length of tailpiece.
- [REPLACE 1150 II-9]: Install support pin provided on the back of the outside body.

**\*\*\*CONTINUE INSTALLATION USING LOCKEY 1150 INSTRUCTIONS\*\*\***



# "INSTALLATION INSTRUCTION OF DIGITAL DOOR LOCKS"

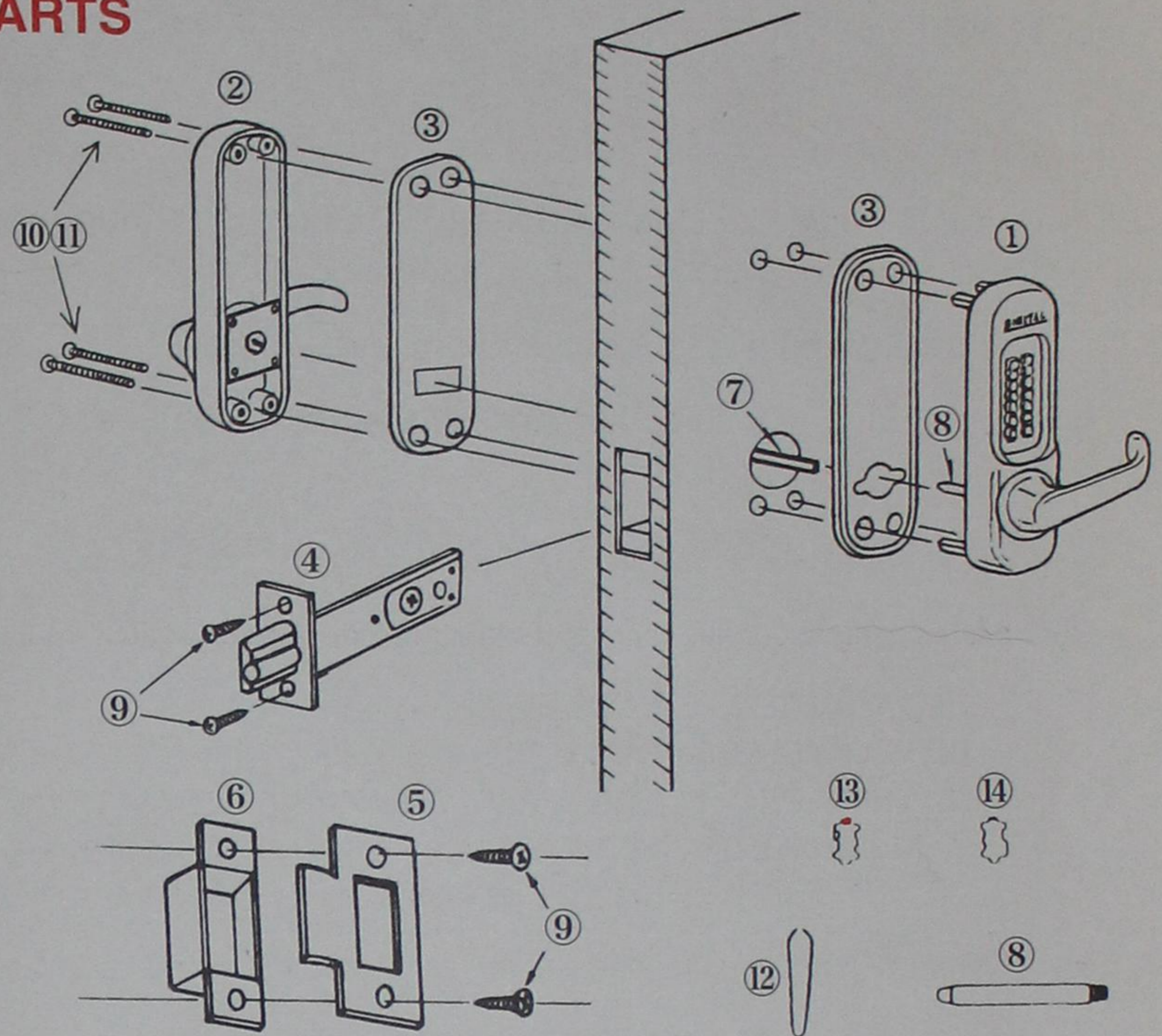
## NO.1150 (WITH LATCHBOLT)

## NO.1150R ... RIGHT HAND TYPE

## NO.1150L ... LEFT HAND TYPE

### I. THE NAME AND DETAILS OF THE ENCLOSED PARTS

NO.	NAME OF PARTS	CONTENT
1.	OUTSIDE BODY, WITH LEVER HANDLE	1 PCE
2.	INSIDE BODY, WITH LEVER HANDLE	1 PCE
3.	RUBBER ESCUTCHEON	2 PCS
4.	LATCHBOLT (60m/m BS or 70m/m BS)	1 PCE
5.	STRIKE-PLATE	1 PCE
6.	MORTISED STRIKER (PLASTIC MADE)	1 PCE
7.	SPINDLE	1 PCE
8.	SUPPORT PIN	1 PCE
9.	TAPPING SCREWS (4x16)	4 PCS
10.	MACHINE SCREWS (5x55)	4 PCS
11.	MACHINE SCREWS (5x45)	4 PCS
12.	TWEEZERS	1 PCE
13.	RED TUMBLER (KEY TUMBLER)...CODE	1 PCE
14.	BLUE TUMBLER (KEYLESS TUMBLER)...NON-CODE	1 PCE
15.	CARD FOR "SECRET NUMBER (CODE NUMBER)"	1 PCE



### II. HOW TO INSTALL THE DIGITAL DOOR LOCKS

1. Take out a template provided and confirm the "back set" (60m/m or 70m/m) on the surface and the reverse side.
2. Decide the position for Digital Door Lock.
3. Mark the hole center for 4 small holes (10m/m dia.) and for a large hole (32m/m dia.) on the surface of the door. And also mark the hole center of 1 slot (22m/m dia.) for the Latchbolt at the center of door edge through the template.
4. Drill holes as per the Template.  
As the slot for Latchbolt, '60 m/m back set' is 85m/m depth and '70m/m back set' is 95m/m depth.

#### IMPORTANT :

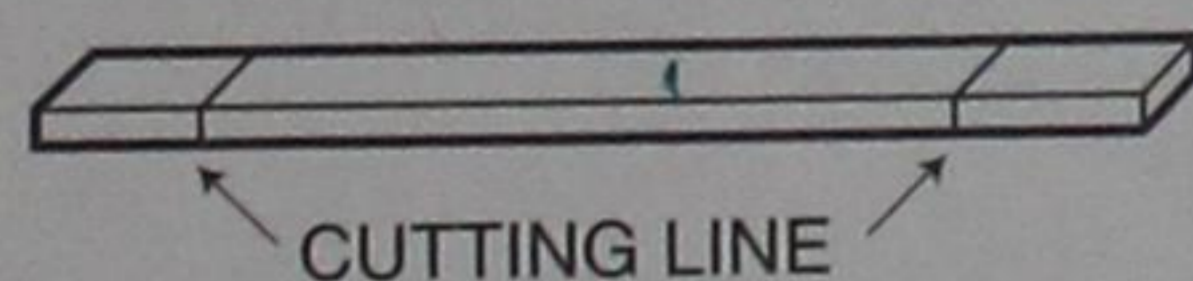
To ensure trouble free operation, the holes MUST be drilled accurately.

5. Insert the Latchbolt into the slot. Scribe a line around the Latchbolt face and remove it.
6. Chisel out the scribed space until the Latchbolt face is flush with the surface of the door edge.
7. Fasten Latchbolt with the tapping screws.

#### IMPORTANT :

Ensure that the Latchbolt face is EVENLY fitted.

8. Break the spindle according to the door thickness.



9. Install the Support Pin provided, at a hole of the direction where the lever handle is installed, on the backside of outside body. (fig 1)
10. Fit Rubber Escutcheon provided, to the back-side of outside body.
11. Insert the 4-Hexagonal Posts and Support Pin through the holes. (fig 2)
12. Insert the spindle into the hole of the backside on the outside body through the hole of Latchbolt from the indoor side.

#### IMPORTANT :

The spindle must lay at an angle toward the Latchbolt head. (fig 3)

13. Fit the Rubber Escutcheon to the inside body.
14. Fit the inside body over the spindle from the indoor side making sure the spindle remains laying at an angle toward the Latchbolt head.
15. Select the machine screws and fasten them through the inside body, making sure they are not to loose or to tight. (fig 4)

#### IMPORTANT :

= BEFORE CLOSING THE DOOR, TEST THE OPERATION OF THE DIGITAL DOOR LOCK. =

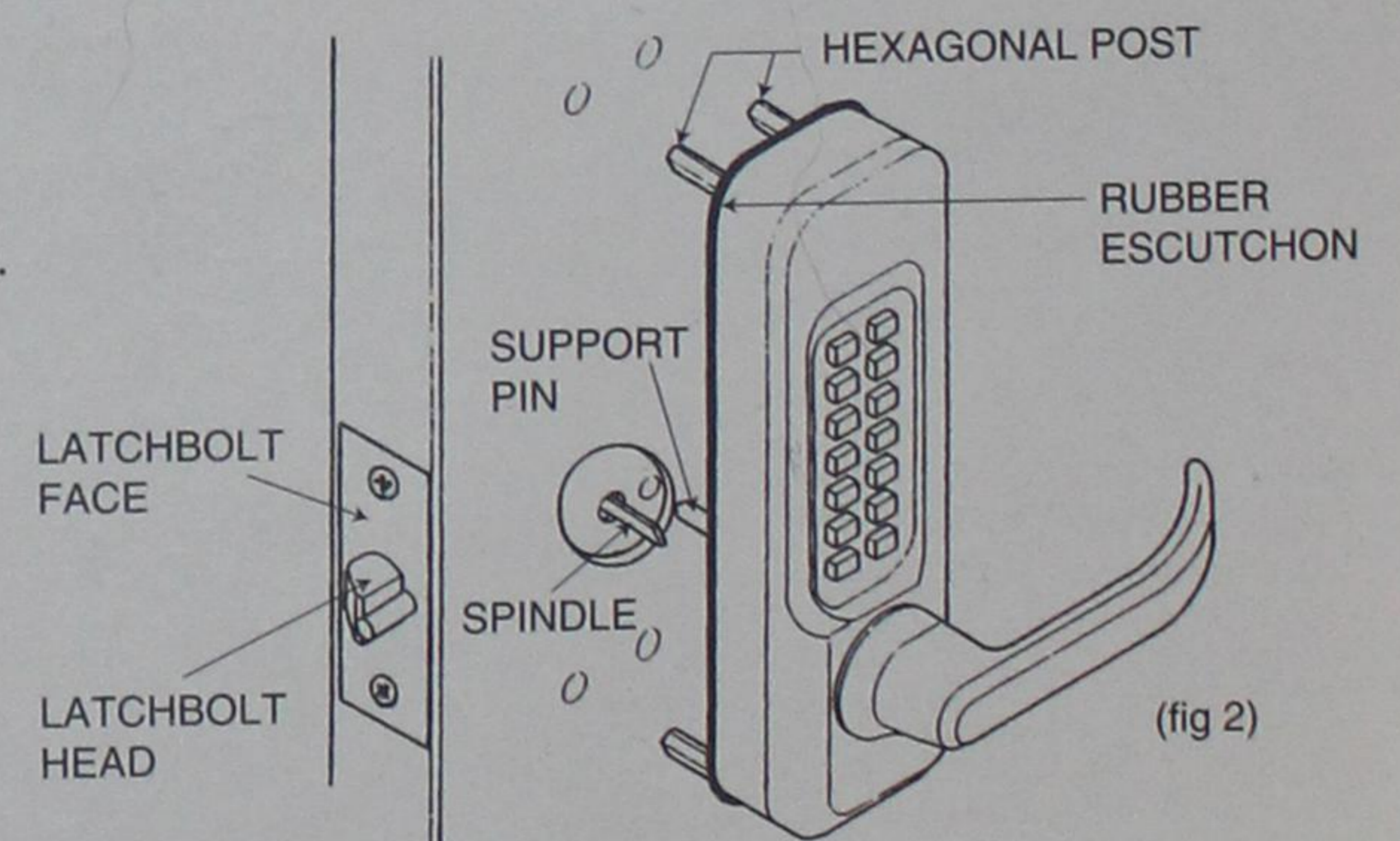
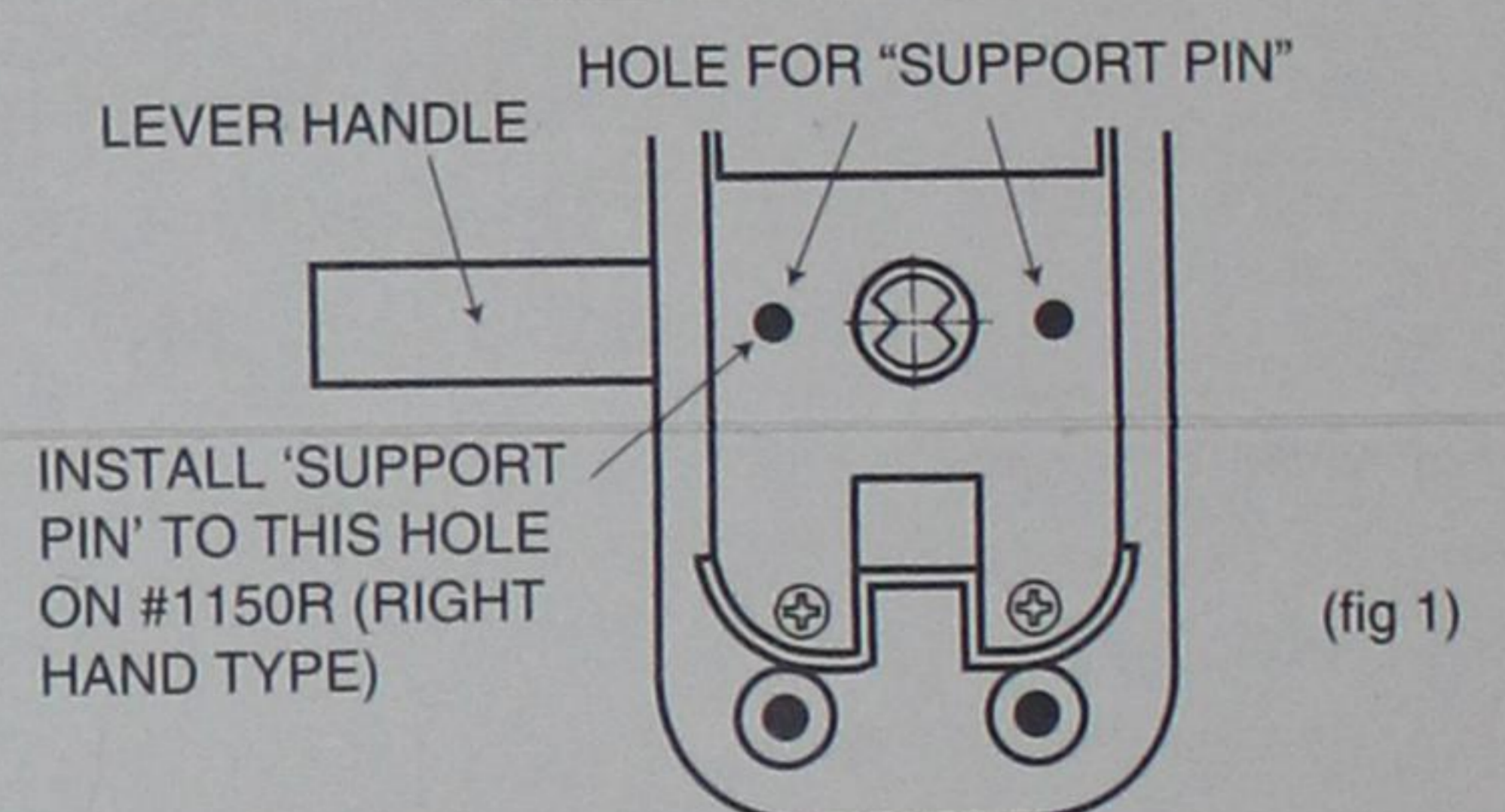
#### ● FROM OUTSIDE DOOR ::

- A) TAKE OUT A CARD SHOWING YOUR CODE NUMBER.
- B) ENTER YOUR CODE NUMBER — PREFIXED BY 'C'.
- C) TURN THE OUTSIDE LEVER HANDLE.
- D) CONFIRM THAT THE LATCHBOLT HEAD IS RETRACTED SMOOTHLY.

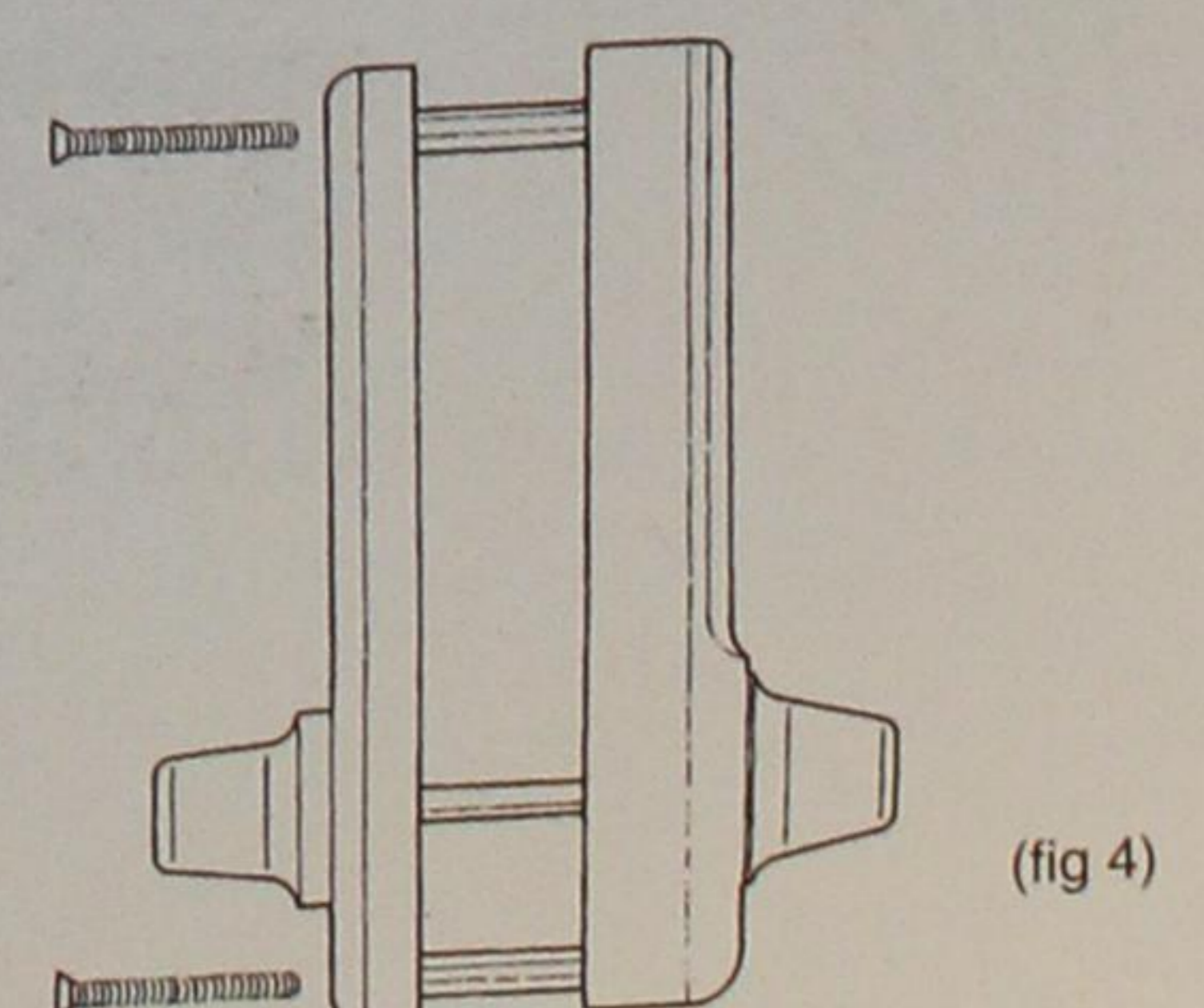
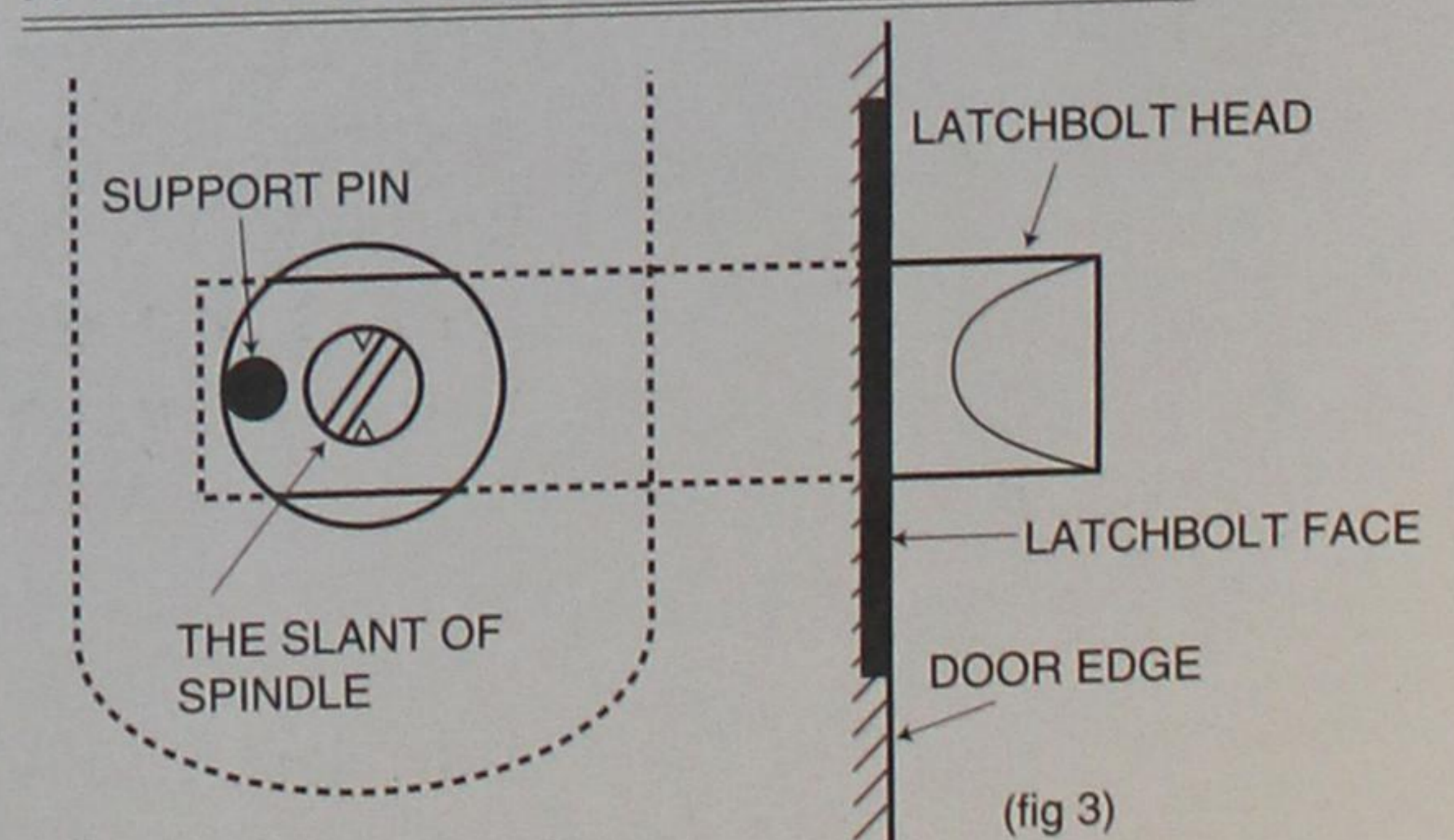
#### ● FROM INSIDE DOOR ::

- A) CHECK THE OPERATION OF THE LATCHBOLT BY TURNING THE INSIDE LEVER HANDLE.

#### BACKSIDE OF OUTSIDE BODY



#### A VIEW FROM INDOOR SIDE FOR #1150R



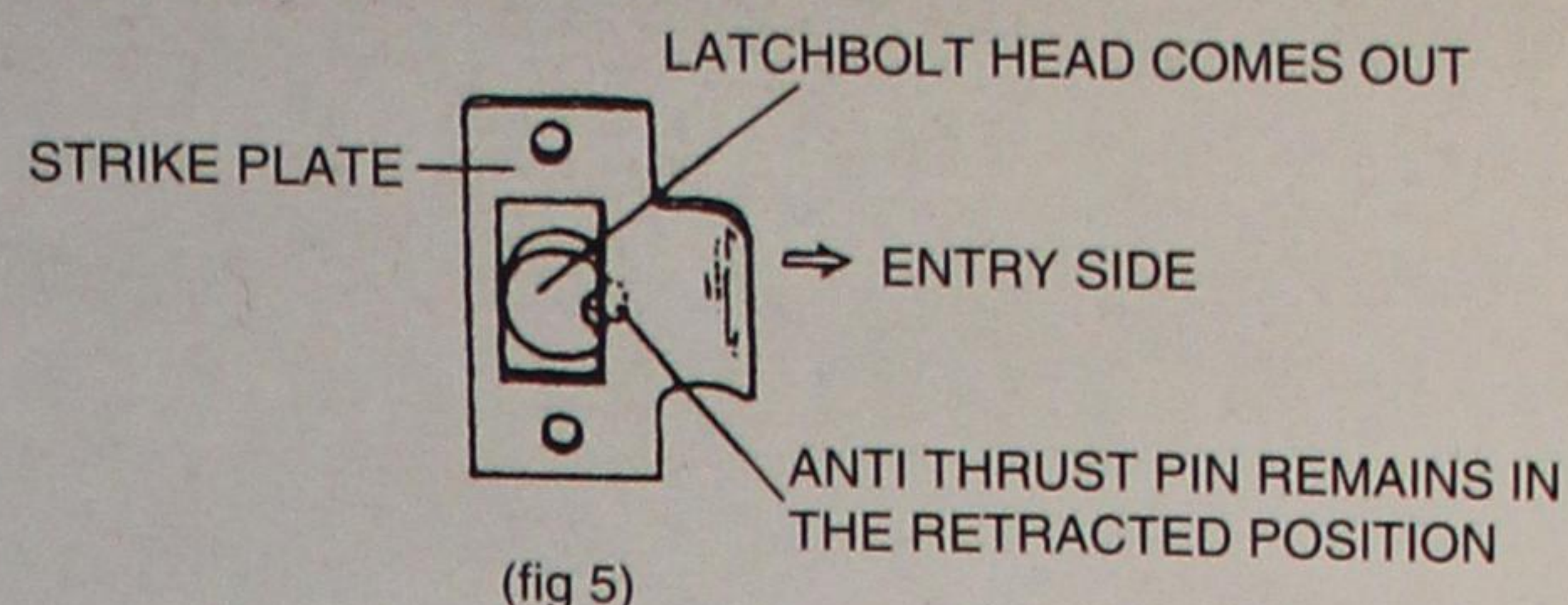


16. Close the door to determine the correct position where the Latchbolt head touches to the face of the door jamb and mark out.
17. Chisel out the space for the mortised striker and for the Strike Plate so that Strike Plate is flush with the surface of the door jamb.
18. Fasten them with the tapping screws.

**IMPORTANT :**

Make sure that when the door is in the closed/locked position, the Latchbolt Head ONLY inserts into the mortised striker in door jamb and NOT the Anti Thrust Pin. (fig.5)

((The Anti Thrust Pin is retracted by pushing against the Strike Plate to deadlock the Latchbolt.))

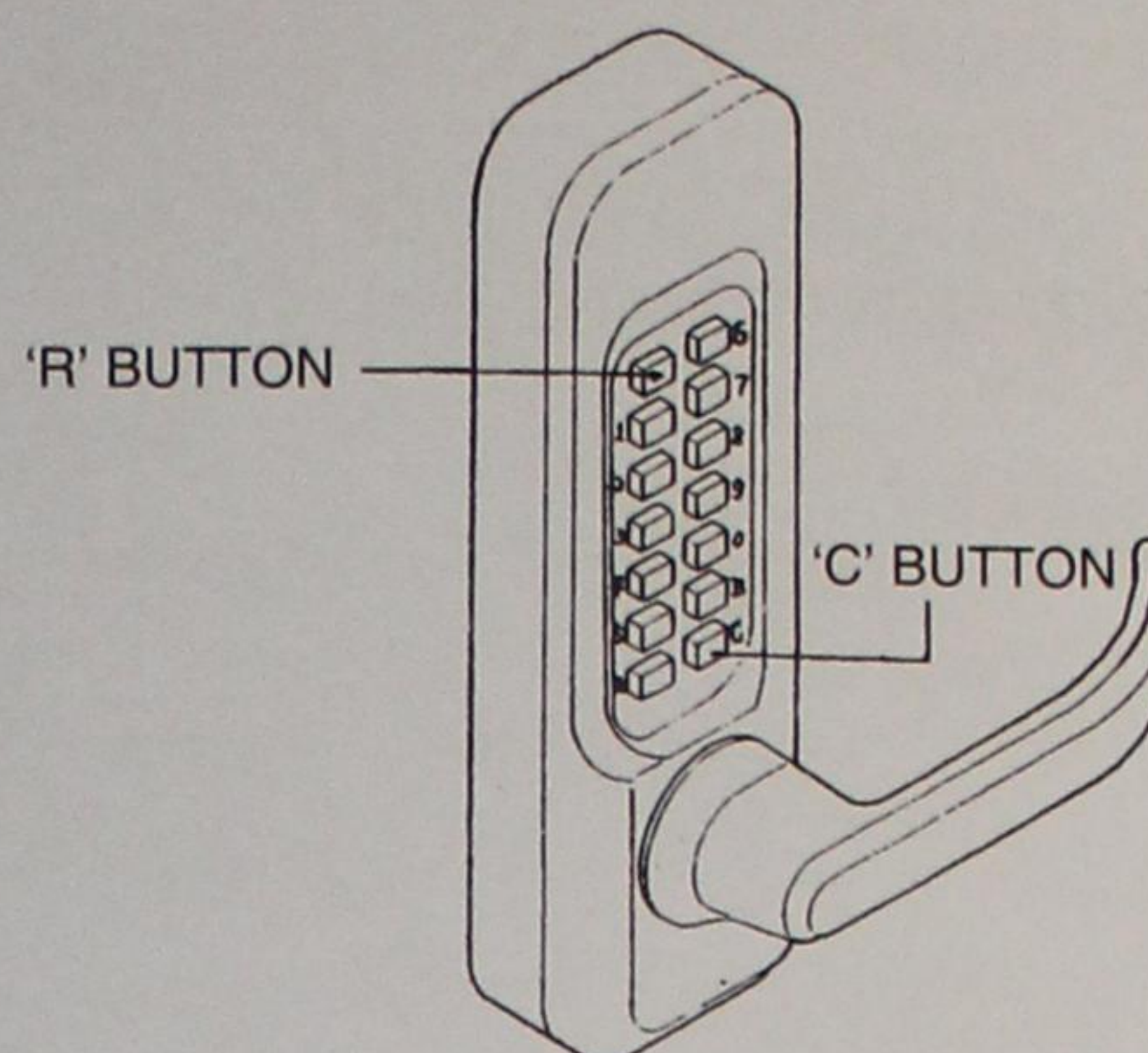


### III. HOW TO USE PASSAGE FUNCTION

1. Push "C-button" to clear and then "R-button", continuously.
2. Then, enter your code number, excepting "C".

The lever handle is in a condition of always "free".

- To restore to the locking function, press the R-button and then C-button.



### IV. HOW TO CHANGE THE CODE NUMBER

Before attempting to change your code number, please read this information carefully.

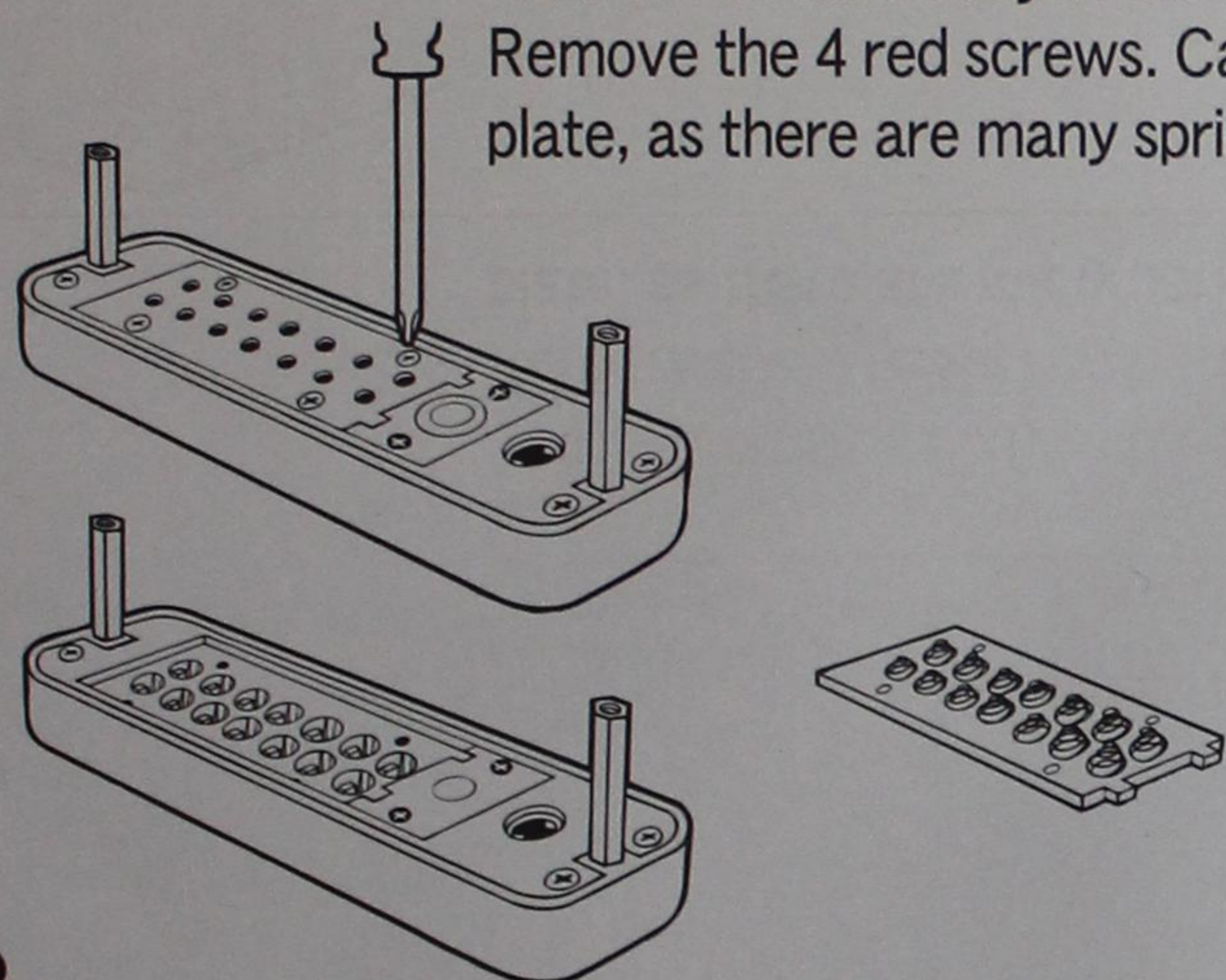
- RED TUMBLERS : CODE
- BLUE TUMBLERS : NON-CODE
- "C" TUMBLER : FOR CLEAR, CANNOT BE REMOVED.
- WHITE TUMBLER : FOR PASSAGE FUNCTION, IF REMOVED, PASSAGE FUNCTION DOES NOT WORK.
- ("R" TUMBLER) DO NOT REPLACE WITH ANY OTHER TUMBLER.

When changing your code number, it is very important that all the 'code' and 'non-code' tumblers are replaced correctly.

1

Failure to follow the instructions could result in damage to your lock so please read carefully

Hold the outside body in the horizontal position. Remove the 4 red screws. Carefully remove the plate, as there are many springs attached to it.



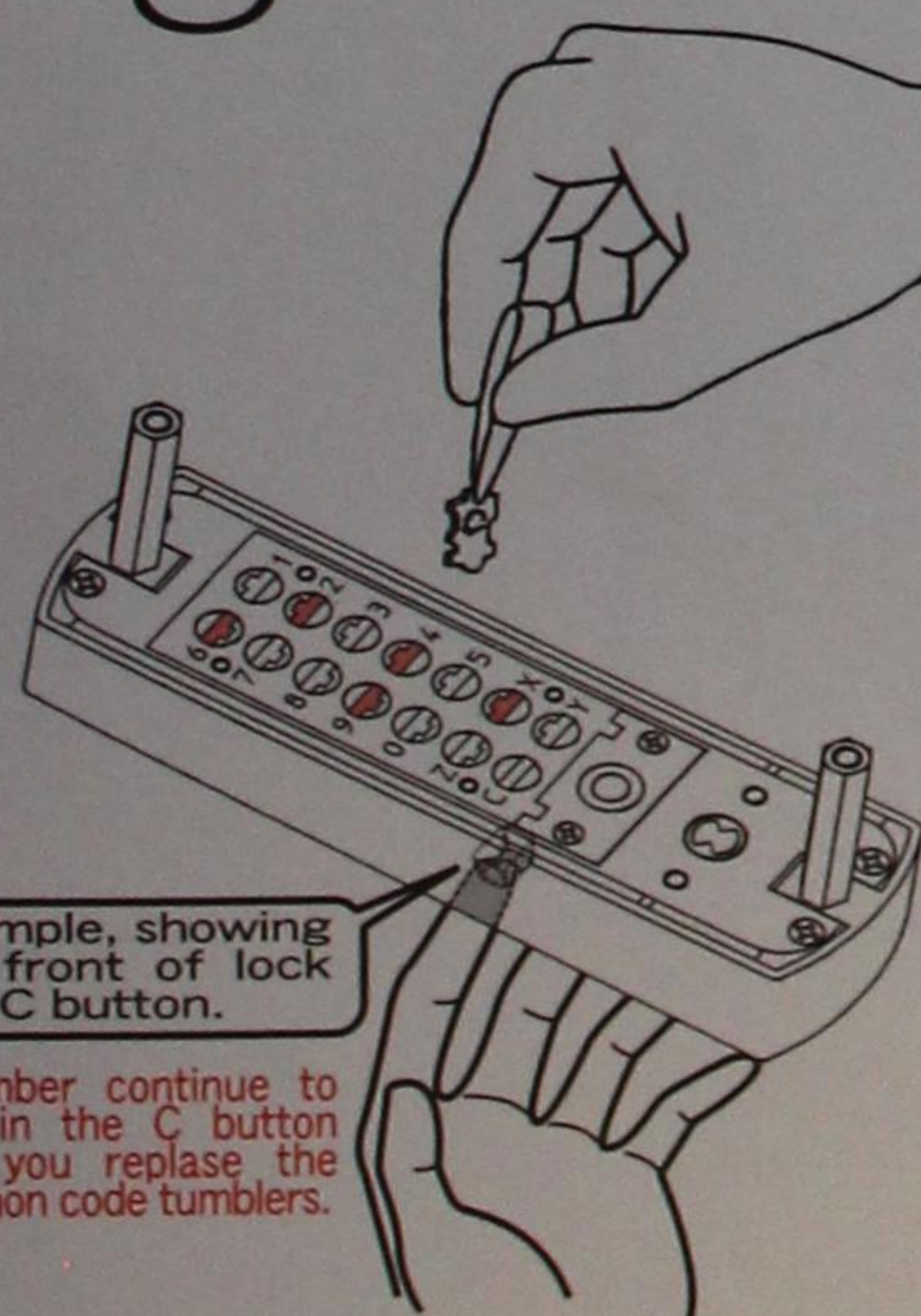
2

**YOU MUST PRESS IN THE C BUTTON FROM THE UNDERNEATH UNTIL YOU HAVE COMPLETED THE CODE CHANGE, AS IT IS IMPOSSIBLE TO LIFT OUT OR INSERT THE CODE TUMBLERS IF YOU DON'T. FORCING THEM WILL DAMAGE THE LOCK.**

3

There are blue tumblers (non-code) and red tumblers (code). Your code is made up from the red tumblers always prefixed by C to clear. (Never remove the C tumbler).

Whilst continuing to press in the C button and using the tweezers provided lift out the code/non code tumblers you wish to change.

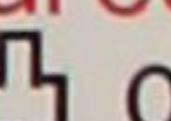


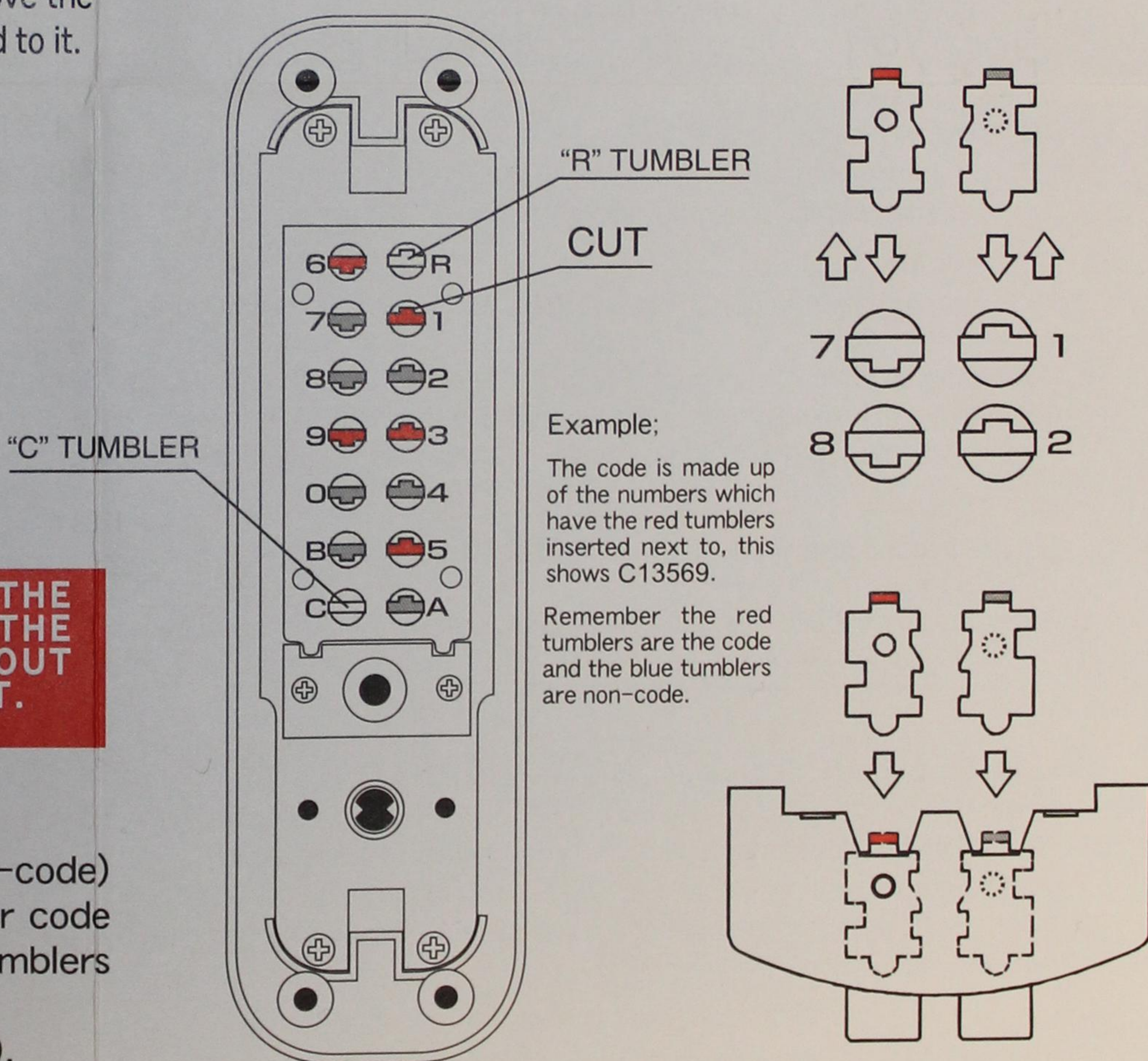
Example, showing the front of lock and C button.

Remember continue to press in the C button when you replace the code/non code tumblers.

**When you re-insert the code/non code tumblers for your new code you must continue to press in the C button.**

4

While pressing in the C button make sure that the coloured top end of the tumbler is facing up wards. Match the  of the tumbler to the exact cut insert of the body.



Example;

The code is made up of the numbers which have the red tumblers inserted next to, this shows C13569.

Remember the red tumblers are the code and the blue tumblers are non-code.

Using the tumblers provided you can change your code from a 3 digit number up to a 7 digit number, always prefixed by C to clear.

To increase, remove the blue and add the red.

To decrease remove the red and add the blue.

(If you insert a tumbler in the wrong position, press in the C button and lift the tumbler out).

5

When you have completed changing your code release the C button and replace the plate carefully.

Always test your new code before installing/re-installing your lock to the door.



# 1150/1600 TEMPLATE

