

# ASSEMBLING & INSTALLATION INSTRUCTIONS PRODUCT# 8684-64

## For Wall Mount Fixture

**WARNING! SHUT POWER OFF AT FUSE OR CIRCUIT BREAKER .**

### Installation (see fig.1)

1. Disconnect power at main electrical panel before installation.
2. Attach the mounting plate to the junction box, lock it securely with the box screws. The side of the mounting plate marked "GND" must face out.
3. Raise the tube (B) through the plastic washer (C) and the side hole of the glass shade (D), then twist the end of the tube (B) to make them fast and hard.
4. Place the glass shade (D) into the fixture body (A), and put the tube (B) onto the two blade springs.
5. Attach the fixture body (A) onto the mounting plate, aligning the holes with mounting screws, then lock it securely with the ball nuts(E).
6. **Install the light bulbs in accordance with the fixture's specifications. DO NOT EXCEED THE MAXIMUM WATTAGE RATING!**

### Wiring (see fig.2)

1. Connect the electrical wires as follows. Connect the Black wire from the fixture to the black house (hot) Wire. Connect the white wire from the fixture to the white (neutral) house wire. Make sure all wire nuts are secured. You may wrap the connections with electrical tape. If your outlet box has a ground wire (green or bare copper) connect fixture's ground wire to it. Otherwise attach the bare copper fixture wire to the green ground screw on the circular strap.
2. Tuck the wire connections neatly into the wall junction box.

Fig.1

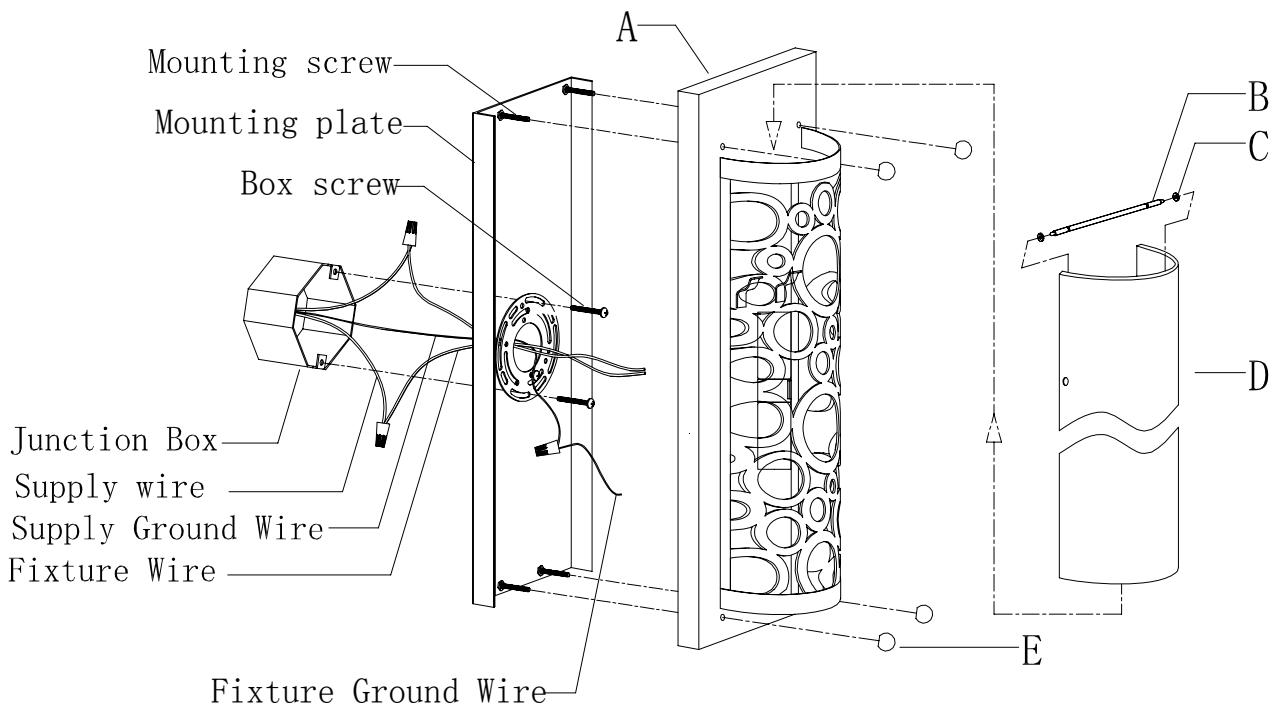
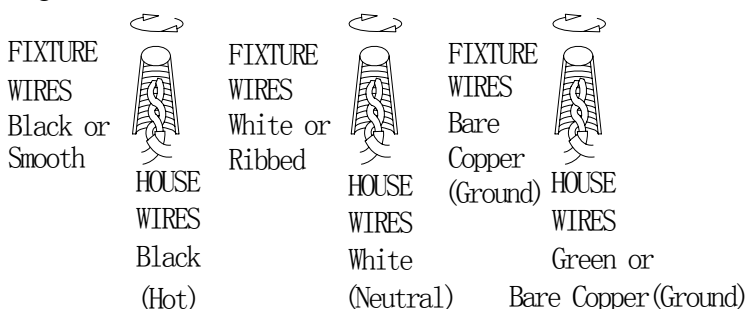


Fig.2



**MIN 90°C SUPPLY CONDUCTORS**

