

WARNING! SHUT POWER OFF AT FUSE OR CIRCUIT BREAKER .

Carefully unpack your new fixture and lay out all the parts on a clear area. Make sure not to misplace any small parts necessary for installation.

ASSEMBLING THE FIXTURE (Fig.2).

1. Attach the loop (A) to the fixture center body (B) by turning it clockwise until tight.
2. Attach the fixture center body (C) to the fixture center body (B) by turning it clockwise until tight.
3. Place the socket sleeve (D) over the socket.
4. Install the light bulbs in accordance with the fixture specifications NOTE: DO NOT EXCEED THE SPECIFIED WATTAGE!

HANGING THE FIXTURE (Fig.1)

IMPORTANT: For a safe and secure installation, this fixture must be installed by means of support that is independent of the outlet box.

SUGGESTED INSTALLATION:

1. Shut off the power at the circuit breaker and remove old fixture from ceiling, including the old crossbar.
2. Provide a 1/4" IPS pipe with one end securely mounted to a beam or a structural member. The other end should protrude through the center of the outlet box as shown.
3. Assemble the ceiling loop, nipple, nuts and hickey to center 1/4"IPS support pipe and adjust overall length to allow the lock collar to hold the canopy flush to the ceiling. When the adjustments have been completed, secure the three (3) nuts, as shown.
4. Attach the chain to the fixture loop. Slip the lock collar and canopy over the upper end of the chain. Open the end link of the chain and lift the fixture to attach to the ceiling loop and secure the link.
5. Lace the fixture wires, ground wire and safety cable through the chain and loop, exiting through the side of hickey. Run the safety cable through the top of the outlet box and secure to structural member.

CONNECTING THE WIRES (Fig.3)

1. At this point, connect the electrical wires as shown in Fig.3 making sure all wire nuts are secured. You may have to wrap the connections with electrical tape. If your outlet has a ground wire (green or bare copper), connect fixture's ground wire to it. Otherwise connect fixture's ground wire directly to the junction box.
2. Tuck these wire connections neatly into the ceiling junction box.
3. Raise the lock collar and thread onto ceiling loop protruding through canopy.

Your installation is now complete. Return power to the junction box and test the fixture.

Fig.1

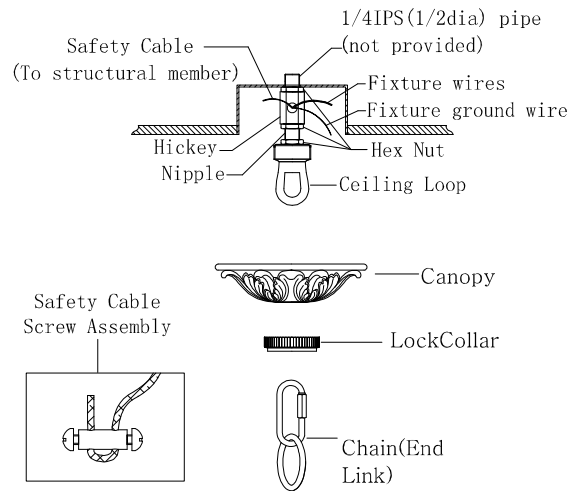


Fig.2

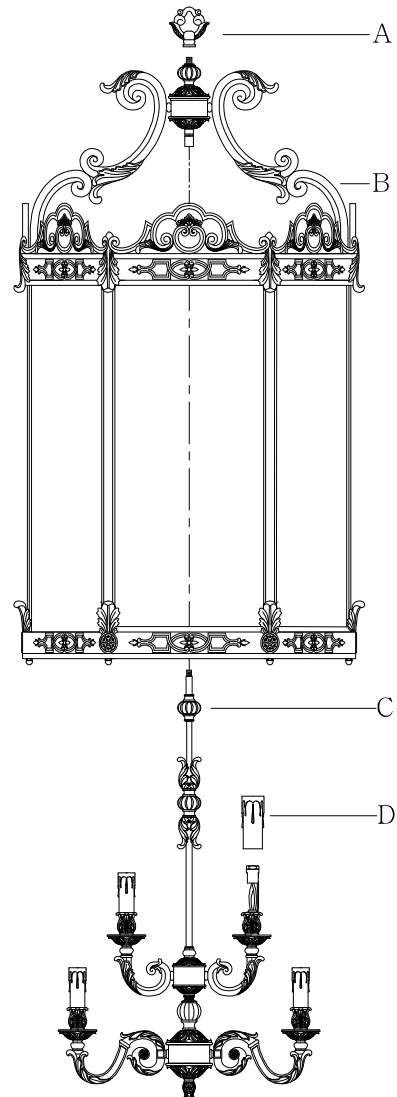


Fig.3

