

ASSEMBLING & INSTALLATION INSTRUCTION PRODUCT# 8639-64 OUTDOOR POST LIGHT FIXTURE

WARNING! SHUT POWER OFF AT FUSE OR CIRCUIT BREAKER .

ASSEMBLING THE FIXTURE (Fig.1).

1. Feed fixture wires through center tube (O). Connect center part (O) to fixture body (E) and turn clockwise until firmly tightened.
2. Feed fixture wires through center tube (I). Connect center part (I) to part (O) and turn clockwise until firmly tightened.
3. Feed fixture wires through center tube (J). Connect center part (J) to part (I) and turn clockwise until firmly tightened.
4. Connect base (K) to part (J) and turn clockwise until firmly tightened.
5. Install the light bulbs in accordance with the fixture's specifications.
DO NOT EXCEED THE MAXIMUM WATTAGE RATING!
6. Attach the frame (F) through the hole of the fixture body (E) and the plastic washer (D), and then lock it securely with the ball nut (C).
7. Thread pipe (G) into center hole of the frame (F) and tighten it with finial (H).
8. Attach the column (A) to the fixture body (E) and then lock it securely with the screw (B).
9. Follow wiring instructions carefully (Fig.2).
10. Insert the screw (N) into the ground, its length of protruding the ground must be suitable to fix the base (K). Adjust the distance of the three screws (N) and make them can cross the hole of the plate (M).
11. Attach the plate (M) onto the ground through the three screws (N), then lock it securely with the hex nut (O).
12. Attach the base (K) onto the ground through the three screws (N), then lock it securely with the hex nut (L).

Wiring (Fig.2)

1. Connect the electrical wires as follows. Connect the Black wire from the fixture to the black house (hot) wire. Connect the white wire from the fixture to the white (neutral) house wire. Make sure all wire nuts are secured. You may wrap the connections with electrical tape. If your outlet box has a ground wire (green or bare copper) connect fixture's ground wire to it. Otherwise attach the bare copper fixture wire to the green ground screw on the circular strap.
2. Tuck the wire connections neatly into the junction box.

Fig.1

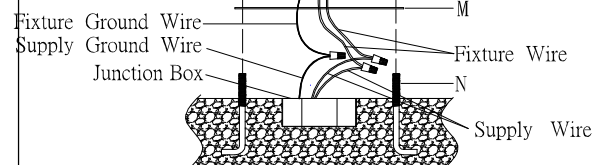
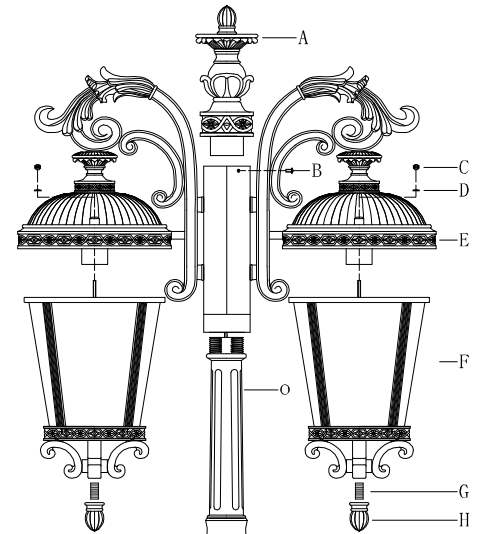


Fig.2

FIXTURE WIRES Black or Smooth		FIXTURE WIRES White or Ribbed		FIXTURE WIRES Bare Copper (Ground)	
HOUSE WIRES Black (Hot)		HOUSE WIRES White (Neutral)		HOUSE WIRES Green or Bare Copper (Ground)	

**LIVEX[®]
LIGHTING**