



ASSEMBLING & INSTALLATION INSTRUCTIONS

The drawing shown may not exactly match the product enclosed.
However, the installation instructions do apply to this product.

45869

- ◆ **WARNING! SHUT POWER OFF AT FUSE OR CIRCUIT BREAKER.**
- ◆ **ATTENTION! COUPER LE COURANT AU FUSIBLE OU UN DISJONCTEUR.**

ASSEMBLING THE FIXTURE (Fig.1)

1. Shut off the power at the circuit breaker box. Remove old fixture and all hardware from Junction Box. Carefully unpack your new fixture and lay out all the parts on a clear area. Take care not to lose any small parts necessary for installation.
2. By measuring, determine correct distance hole in mounting plate, then drilled three holes (by measuring distance hole) in the ceiling at junction box of side; raise the plastic anchor insert the hole. Attach the mounting plate to the junction box with two junction box screws and three wood screws as shown, tighten screws securely with the screwdriver. The side of the mounting plate marked "GND" must face out. **The junction box is not included.**
3. This lamp body includes 12pcs pipes (G) to be connected into various height. Measure and determine correct number of pipes required. Slide the electrical wires through the pipes (G) and joint (F). Raise the pipe to top pipe thread of lamp body (H), by turning it clockwise until tight. Raise the other parts onto the end of pipe thread, by turning it clockwise until tight.
4. Attach the canopy (D) and steel shim (C) onto the pipe thread of the joint (F) and lock it securely with the lock washer (B) and hex nuts (F).
5. While holding the lamp body towards the ceiling, connect the electrical wires as shown in Fig.2, making sure that all wire nuts are secured. You may have to wrap the connections with electrical tape. If your junction box has a ground wire (green or bare copper), connect the fixture ground wire to it. Otherwise connect fixture's ground wire directly to the Mounting plate with the green screw provided. After wires are connected, tuck them carefully inside the Junction Box.
6. Raise the lamp body onto the junction box, aligning the screw on mounting plate with mounting hole in canopy and lock it securely with the round nuts (E).
7. Install the light bulbs (Not included) in accordance with the fixture's specifications. **NOTE: DO NOT EXCEED THE SPECIFIED WATTAG!**

Your installation is now complete. Return power to the junction box the fixture.

FIG.1

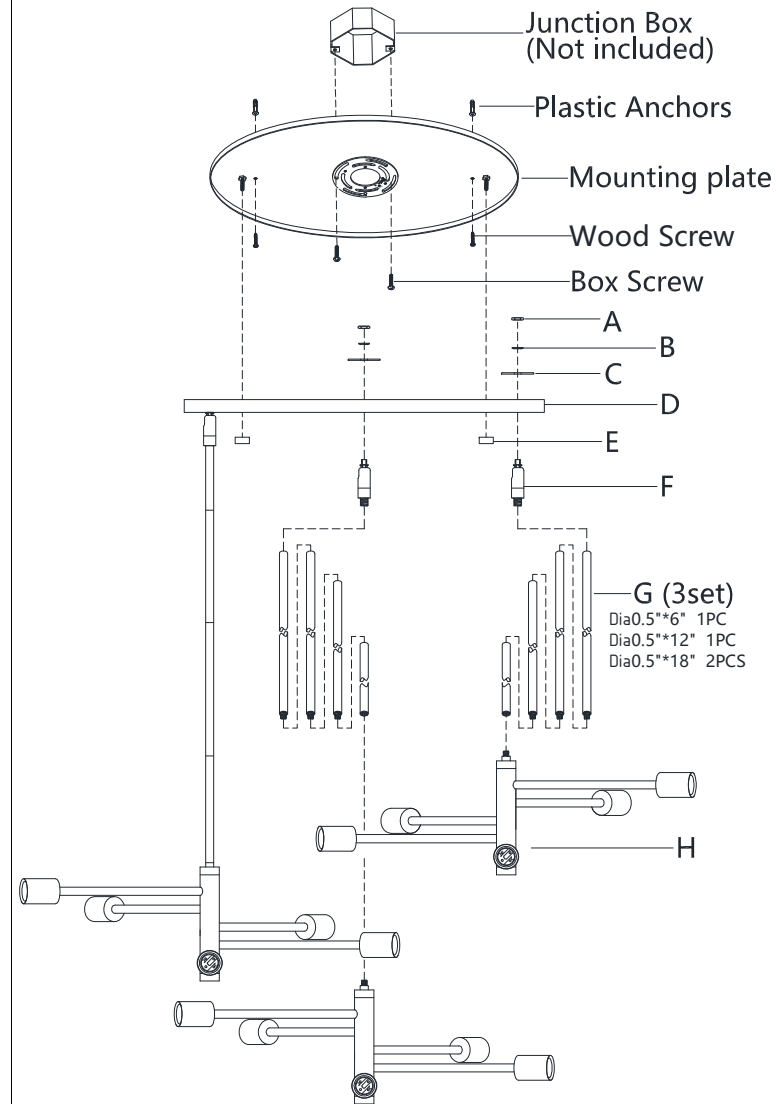
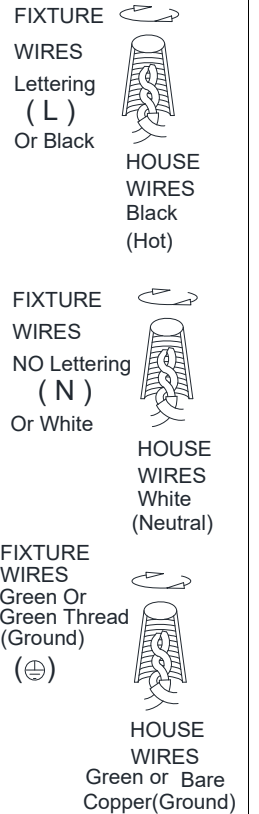


Fig.2



Thank you for purchasing a **LIVEX** product.
 Need assistance with parts or assembly? Please call customer service at: **800-761-8056**
 Or visit us on-line at: WWW.LIVEXLIGHTING.COM