



ASSEMBLING & INSTALLATION INSTRUCTIONS

The drawing shown may not exactly match the product enclosed.
However, the installation instructions do apply to this product.

17133

- ◆ **WARNING! SHUT POWER OFF AT FUSE OR CIRCUIT BREAKER.**
- ◆ **ATTENTION! COUPER LE COURANT AU FUSIBLE OU UN DISJONCTEUR.**

ASSEMBLING THE FIXTURE (Fig.1)

1. Shut off the power at the circuit breaker box. Remove old fixture and all hardware from Junction Box.
2. Carefully unpack your new fixture and lay out all the parts on a clear area. Take care not to lose any small parts necessary for installation.
3. Drilling two holes in the wall, distance and the same distance from the keyhole of mounting plate, then loaded plastic anchors(A). Attach the mounting plate(B) to the wall, aligning the plastic anchors(A) and junction box, lock it securely with the two wood screws(D) and the two box screws(E). The side of the back plate marked "GND" must face out. **The junction box is not included.**
4. Guide fixture wires through hole in center of back plate.
5. Follow wiring instructions carefully (see fig.2).
6. Place the lamp body(G) onto the mounting plate so that the studs(C) protrude through the cover plate holes, then tighten it with the ball nut(F).
7. Install the light bulbs(Not included) in accordance with the fixture's specifications. **NOTE: DO NOT EXCEED THE MAXIMUM WATTAGE RATING!**

CONNECTING THE WIRES (Fig.2)

1. Connect the electrical wires as follows. Connect the Black wire from the fixture to the black house (hot) Wire. Connect the white wire from the fixture to the white (neutral) house wire. Make sure all wire nuts are secured. You may wrap the connections with electrical tape. If your outlet box has a ground wires (green or bare copper) connect fixture's ground wire to it. Otherwise attach the bare copper fixture wire to the green ground screw on the mounting plate.
2. Tuck the wire connections neatly into the wall junction box.

Your installation is now complete Return power to the junction box and test the fixture.

FIG.1

Junction box
(Not included)

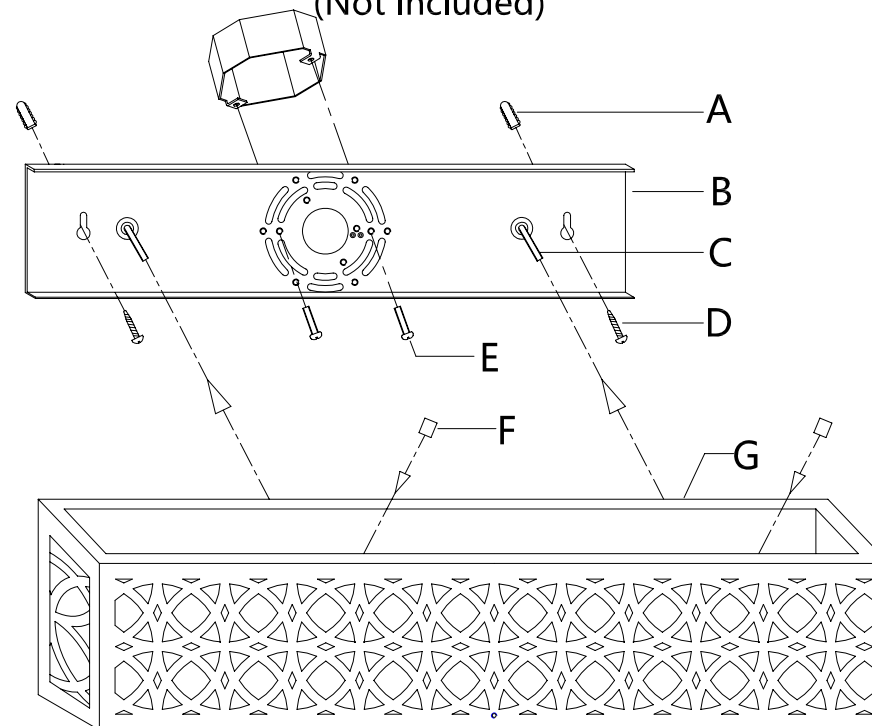


FIG.2

FIXTURE WIRES
Black or Smooth

HOUSE WIRES
Black(Hot)

FIXTURE WIRES
White or Ribbed

HOUSE WIRES
White (Neutral)

FIXTURE WIRES
Bare Copper (Ground)

HOUSE WIRES
Green or Bare Copper(Ground)

Thank you for purchasing a **LIVEX** product.

Need assistance with parts or assembly? Please call customer service at: **800-761-8056**

Or visit us on-line at: WWW.LIVEXLIGHTING.COM