



# ASSEMBLING & INSTALLATION INSTRUCTIONS

The drawing shown may not exactly match the product enclosed.  
However, the installation instructions do apply to this product.

## 52045

- ◆ **WARNING! SHUT POWER OFF AT FUSE OR CIRCUIT BREAKER.**
- ◆ **ATTENTION! COUPER LE COURANT AU FUSIBLE OU UN DISJONCTEUR.**

### ASSEMBLING THE FIXTURE (Fig.1)

**IMPORTANT: FOR A SAFE AND SECURE INSTALLATION, THIS FIXTURE MUST BE INSTALLED BY MEANS OF SUPPORT THAT IS INDEPENDENT OF THE JUNCTION BOX.**

1. Shut off the power at the circuit breaker box. Remove old fixture and all hardware from Junction Box. Carefully unpack your new fixture and lay out all the parts on a clear area. Take care not to lose any small parts necessary for installation.
2. Slide the electrical wires and safety cable through the tube(D)/(C)/(B)/coupling(A). Raise the tube(D) to the pipe thread of lamp body(E), raise the tube (C)/tube (B) and coupling(A) to the screw pipe nipple in order, then by turning it clockwise until tight. Attach the fixture canopy and the assist safety cable's angle shim onto the pipe nipple of the coupling(A), lock it securely with the lock washer and hex nut.
3. **NOTE:** While holding the fixture safety cable through to the clamp bolts, safety cable twined again with the bolts, lock it securely with the two small hex nuts until tight. **Now**, the end of fixture safety cable forms a ring, holding the ring hooked the end open link of the assist safety cable.
4. Thread the two mounting screws into the pre-drilled holes in the Mounting plate spaced the same distance apart as the holes in the canopy.
5. Provide two 1/4" thread rods(Included the hex nut/lock washer/two big shims) with one end securely mounted to a beam or a structural member, the other end should protrude through at the side of the junction box, as shown. Attach the mounting plate to the junction box, aligning the thread rod with the both big holes of mounting plate, lock it securely with the two junction box screws and the hex nut/lock washer/small shim. The side of the mounting plate marked "GND" must face out. **The junction box is not included.**
6. While holding the fixture body towards the ceiling, raise the end open link of assist safety cable hooked the safety cable ring of mounting plate, connect the electrical wires as Shown in **Fig.2**, making sure that all wire nuts are secured. You may have to wrap the connections with electrical tape. If your outlet has a ground wire (green or bare copper), connect the fixture ground wire to it. Otherwise connect fixture's ground wire directly to the Mounting plate with the green screw provided. After wires are connected, tuck them carefully inside the Junction Box.
7. Raise the canopy onto the Junction box, aligning the mounting screws with mounting hole in canopy and lock it securely with the finial(H) until tight.
8. Install the light bulbs(Not included) in accordance with the fixture specifications. **NOTE: DO NOT EXCEED THE SPECIFIED WATTAGE!**

**Your installation is now complete. Return power to the junction box and test the fixture.**

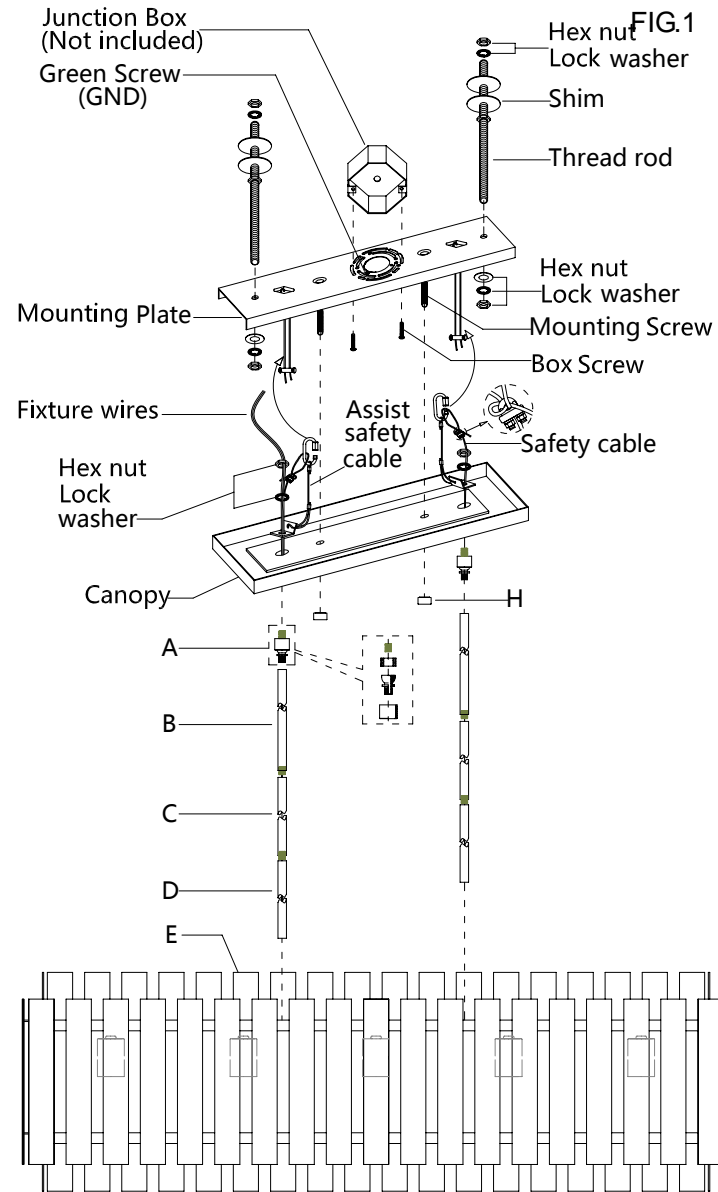
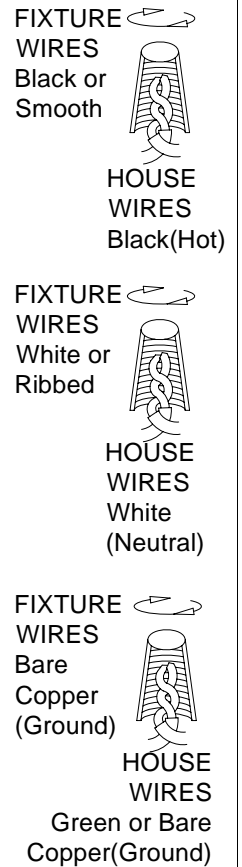


FIG.2



Thank you for purchasing a **LIVEX** product.  
 Need assistance with parts or assembly? Please call customer service at: **800-761-8056**  
 Or visit us online at: [WWW.LIVEXLIGHTING.COM](http://WWW.LIVEXLIGHTING.COM)