

ASSEMBLING & INSTALLATION INSTRUCTIONS PRODUCT# 10141

For Wall Mount Light Fixture

WARNING! SHUT POWER OFF AT FUSE OR CIRCUIT BREAKER .

MOUNTING THE FIXTURE

Installation (see fig.1)

1. Disconnect power at main electrical panel before installation. Remove old fixture and all hardware from Junction Box.
2. Attach the mounting plate to the junction box using two junction box screws as shown. The side of the mounting plate marked "GND" must face out. **The junction box is not included.**
3. Guide fixture wires through hole in center of mounting plate.
4. Follow wiring instructions carefully (see fig.2)
5. Raise the candle sleeve(D) insert the lamp holder.
6. **Install the light bulbs in accordance with the fixture's specifications. NOTE: DO NOT EXCEED THE MAXIMUM WATTAGE RATING!**
7. Attach the fixture body (B) over the mounting plate, aligning the back plate holes with screw hole of the mounting plate on side, then lock it securely with the mounting screw(C). Raise the glass(A) insert the ring of the fixture body(B).

Wiring (see fig.2)

1. Connect the electrical wires as follows. Connect the Black wire from the fixture to the black house (hot) Wire. Connect the white wire from the fixture to the white (neutral) house wire. Make sure all wire nuts are secured. You may wrap the connections with electrical tape. If your outlet box has a ground wire (green or bare copper) connect fixture's ground wire to it. Otherwise attach the bare copper fixture wire to the green ground screw on the mounting plate.
2. Tuck the wire connections neatly into the wall junction box.

Fig.1

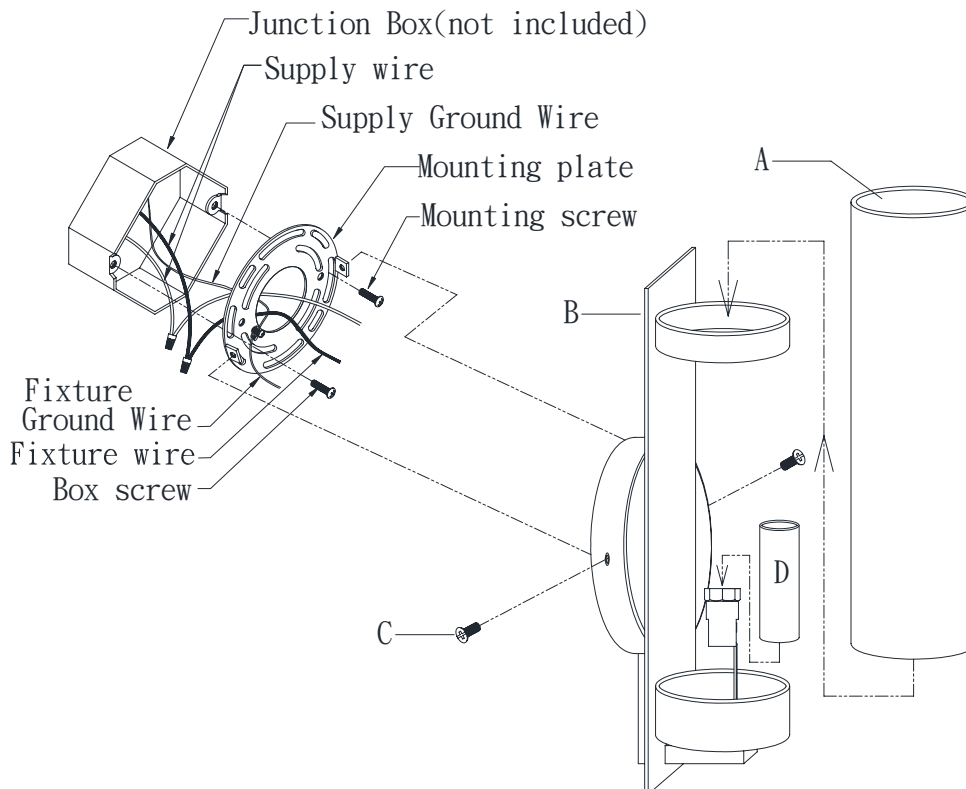


Fig.2

