



# ASSEMBLING & INSTALLATION INSTRUCTIONS

The drawing shown may not exactly match the product enclosed.  
However, the installation instructions do apply to this product.

## 50693

- ◆ **WARNING! SHUT POWER OFF AT FUSE OR CIRCUIT BREAKER.**
- ◆ **ATTENTION! COUPER LE COURANT AU FUSIBLE OU UN DISJONCTEUR.**

### ASSEMBLING THE FIXTURE (Fig.1)

1. Shut off the power at the circuit breaker box. Remove old fixture and all hardware from Junction Box.
2. Carefully unpack your new fixture and lay out all the parts on a clear area. Take care not to lose any small parts necessary for installation.
3. Raise the end of pipe thread(C) part way into the center screw hole of the single bar(D), lock it securely with the lock washer(B) and hex nut(A). Attach the single bar to the Junction Box with the two box screws(E) as shown. The side of the cross bar marked "GND" must face out. **The junction box is not included.**
4. By measuring, determine correct cord length of needed for proper hanging height, then lock it securely with small screw(H). Press the 'cable lock' and adjustment steel cable to the proper length. Slide safety lock to the proper position, lock it securely with the screws. **ADVICE: if you do not adjust hanging height later, you may properly cut the wire and steel cable is too long parts.**
5. While holding the canopy(F) towards the ceiling, connect the electrical wires as Shown in Fig.2, making sure that all wire nuts are secured. You may have to wrap the connections with electrical tape. If your outlet has a ground wire (green or bare copper), connect the fixture ground wire to it. Otherwise connect fixture's ground wire directly to the Mounting strap with the green screw provided. After wires are connected, tuck them carefully inside the Junction Box.
6. Raise the canopy(F) onto the junction box, aligning screws on single bar with mounting holes in canopy and lock it securely with the round nut(G).
7. Install the light bulbs(Not included) in accordance with the fixture's specifications. **NOTE: DO NOT EXCEED THE SPECIFIED WATTAGE.**
8. Attach the glass shade (I) insert the lamp holder of lamp body(J) and turn it until tight.

**Your installation is now complete. Return power to the junction box the fixture.**

FIG.1

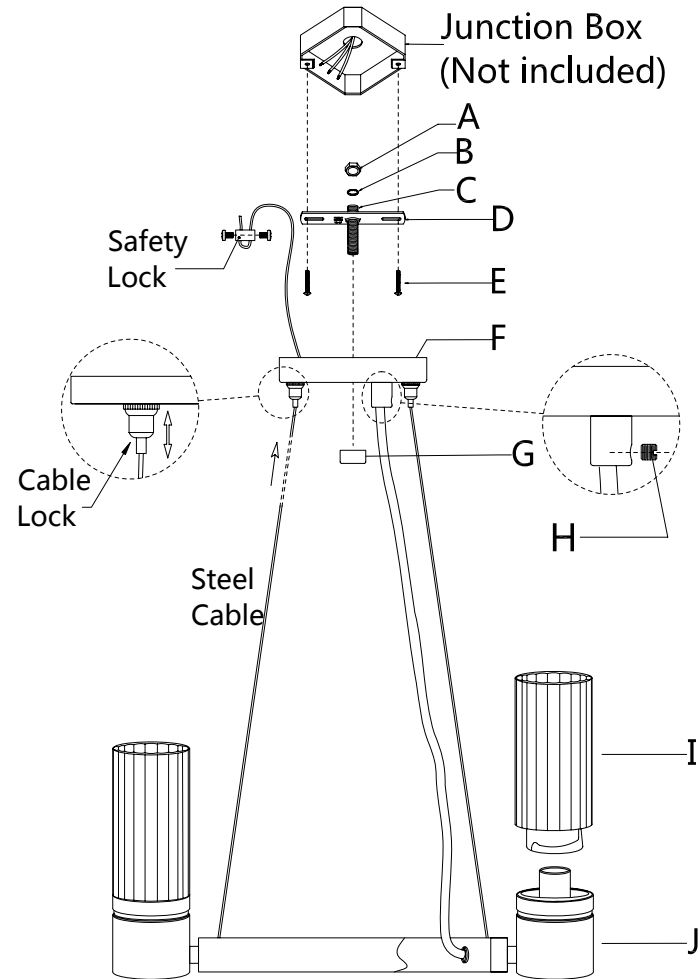
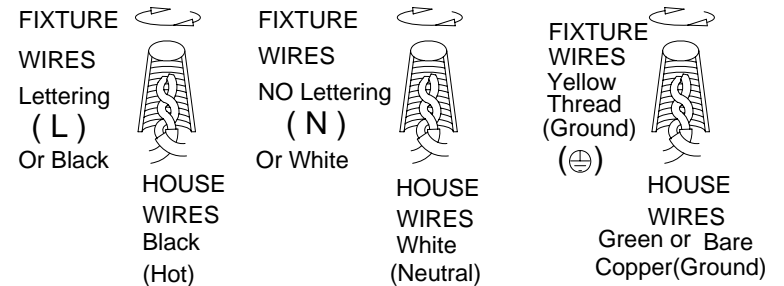


FIG.2



Thank you for purchasing a **LIVEX** product.  
 Need assistance with parts or assembly? Please call customer service at: **800-761-8056**  
 Or visit us on-line at: [WWW.LIVEXLIGHTING.COM](http://WWW.LIVEXLIGHTING.COM)