

HVAC

2-ABS Series



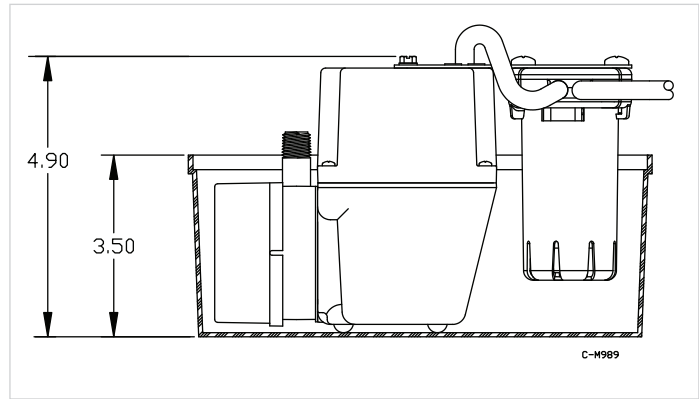
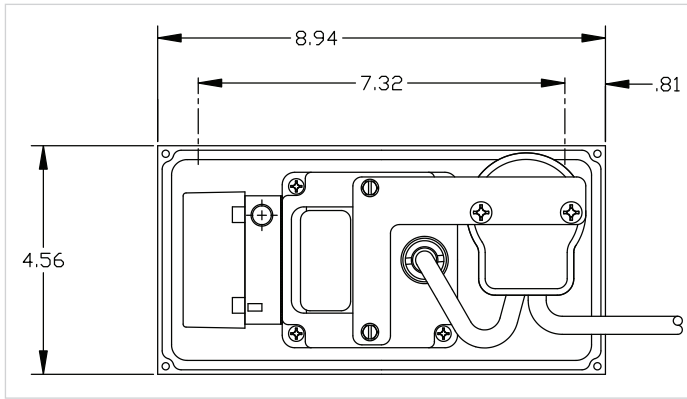
Applications:

- Ideal for in-pan placement for condensate removal

Features:

- Permanently lubricated
- Epoxy coated cast aluminum housing
- Automatic, in-pan design
- Advanced non-mercury mechanical switch
- On level: 3", Off level: 2"
- Includes 1/2 gallon ABS plastic tank
- 1/4" MNPT discharge
- 11.8' maximum lift

Dimensional Outlines:



Specifications:

Item #	Model	Discharge	HP	Volts	Hertz	Amps	Watts	Performance (GPH @ Head)				Shut Off	PSI	Power Cord	Weight
								1'	3'	5'	10'				
2-ABS	551020	1/4"	1/40	115	60	1.7	100	300	255	205	70	11.8'	5.1	9'	5.5
2-ABS	551030	1/4"	1/40	230	50/60	0.9/0.7	100	300	255	205	70	11.8'	5.1	11'	5.75

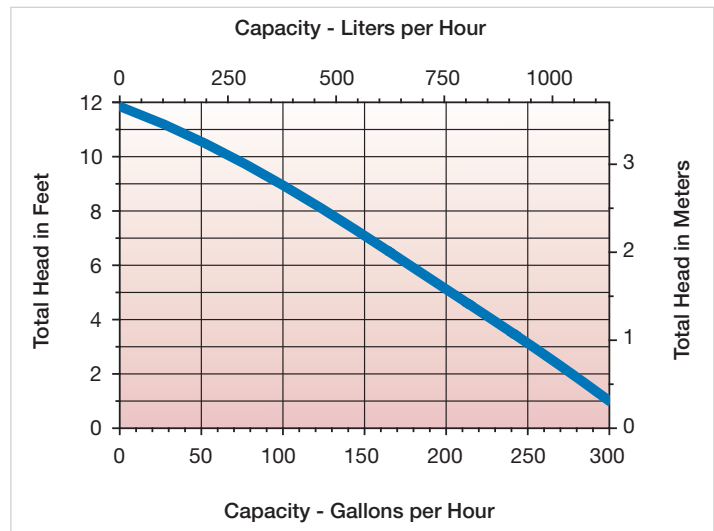
Construction:

Motor: 1/40 HP
Liquid Temperature: Up to 120°
Intake: N/A
Discharge: 1/4" MNPT
Housing: Epoxy coated cast aluminum
Cover: Epoxy coated cast aluminum
Volute: Nylon
Impeller: Nylon
Shaft Seal: Nitrile
Screen: Polyethylene
Switch Bracket: Stainless Steel

Replacement Parts

Tank: 150102
Volute: 102378
Impeller: 102470
Seal Ring: 102601
Screen: 102376

Performance:



P.O. Box 12010
 Oklahoma City, OK 73157-2010
 Phone: 1.800.701.7894
 Fax: 1.800.678.7867
 www.LittleGiantPump.com

©2008 Franklin Electric Co., Inc.
 Little Giant® is a registered trademark of Franklin Electric Co., Inc.
 Form 995464 1/08

Little GIANT®
Pumps. People. Partnerships.