

## GB INTRODUCTION

This instruction sheet provides you with the information required to safely own and operate your Little Giant product. Retain these instructions for future reference.

The Little Giant product you have purchased is of the highest quality workmanship and material, and has been engineered to give you long and reliable service. Little Giant products are carefully tested, inspected, and packaged to ensure safe delivery and operation. Please examine your unit carefully to ensure that no damage occurred during shipment. If damage has occurred, please contact the place of purchase. They will assist you in replacement or repair, if required.

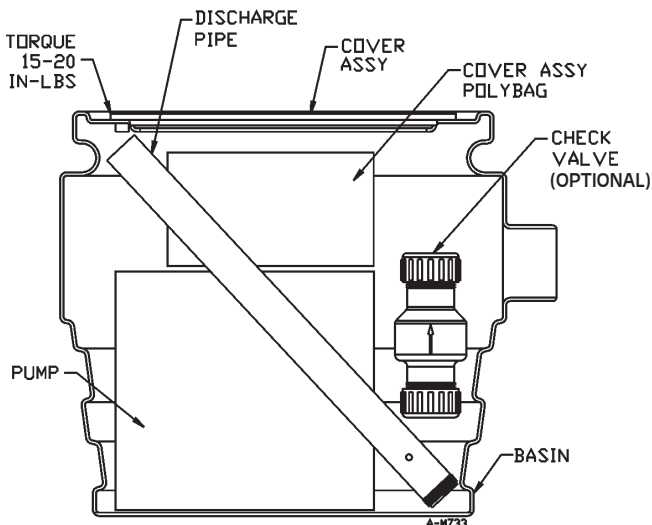
**READ THESE INSTRUCTIONS CAREFULLY BEFORE ATTEMPTING TO INSTALL, OPERATE, OR SERVICE YOUR LITTLE GIANT PRODUCT. KNOW THE PRODUCT'S APPLICATION, LIMITATIONS, AND POTENTIAL HAZARDS. PROTECT YOURSELF AND OTHERS BY OBSERVING ALL SAFETY INFORMATION. FAILURE TO COMPLY WITH THESE INSTRUCTIONS COULD RESULT IN PERSONAL INJURY AND/OR PROPERTY DAMAGE!**

### PRE-PACKAGED UNIT

Verify all parts with basin and cover assemblies are received intact (Figure 1). The selected discharge and vent size will determine which flanges to use. The flanges provided will allow the following vent/discharge combinations to be used:

- 2" discharge/3" vent
- 3" discharge/2" vent
- 2" discharge/2" vent
- 3" discharge/3" vent

**Figure 1.**  
**Pre-Packaged**



**NOTE:** The cover has three pre-fabricated holes, one to fit the 2-hole cord grommet, one to fit the 2" flange, and one to fit the 3" flange or 3" to 2" reducer flange (Figure 3). Remove proper flanges from the hardware kit to accommodate the vent/discharge combination used.

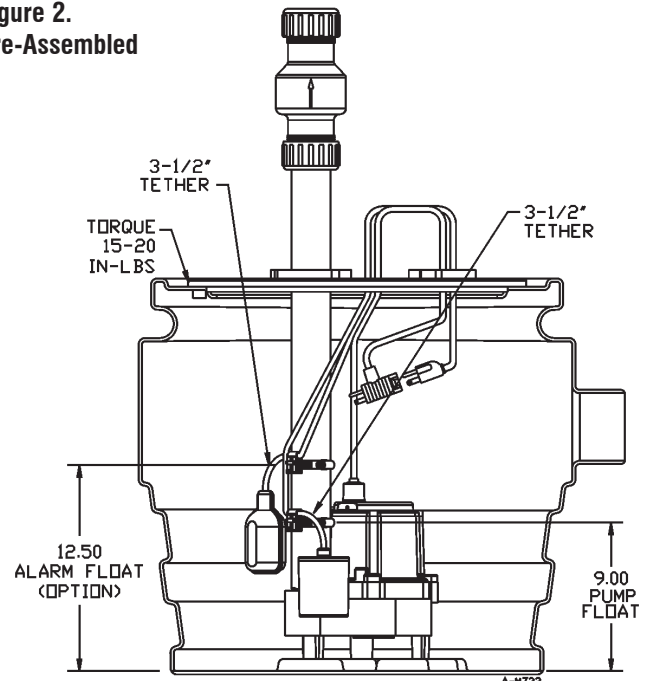
1. Remove bolts and washers in cover and set aside.
2. Remove gasket material from hardware kit and place material around circumference of basin inside of bolt circle.
3. Install the discharge pipe in the discharge of the pump.
4. Install float switch 9" from bottom of basin with a 3-1/2" tether length. Float switch should be installed in a manner that will not allow it to contact the pump or side of basin during operation. Refer to float switch instruction manual for alternative settings. Place the pump in the basin.
5. Install the adapt-a-flex flange that fits the discharge on the underside of the cover. Lube the adapt-a-flex flange and discharge pipe with petroleum jelly or other type of lubricant. Route the power cord and float switch cord through the smallest hole before installing cover. Slide the cover with the adapt-a-flex flange in place over the discharge pipe.
6. Install the cord grommet by placing the power cord and float switch cord in the grommet openings. Then push the grommet into the smallest hole in the cover.
7. Install an adapt-a-flex flange in the remaining hole that corresponds to the vent pipe size used. Lubricate the flange and vent pipe and press the vent pipe into the flange 2 to 3 inches.

### PRE-ASSEMBLED UNIT

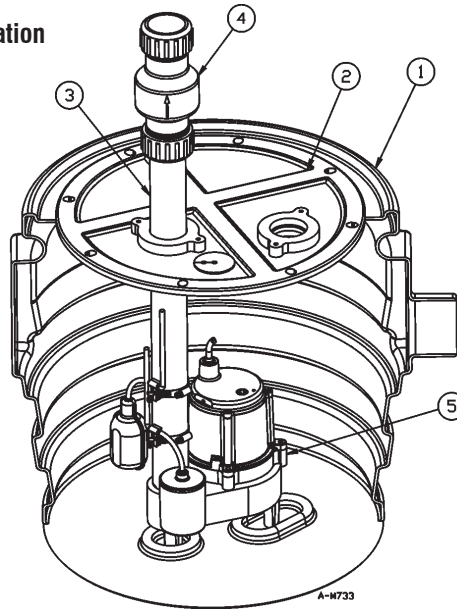
The pre-assembled unit (Figure 2) is furnished fully assembled and ready for installation. Remove check valve from discharge pipe and re-install as shown on typical installation (Figure 3). **CAUTION:** For best performance of check valves when handling solids, install in a horizontal position or at an angle of not more than 45°. Do not install check valve in a vertical position as solids may settle in valve and prevent opening on start-up. Remove the cord from the vent hole and install the vent pipe in the hole with the adapt-a-flex flange. (See Figure 3 to complete typical installation.)

To test the unit, plug the unit in and run water into the basin until the unit switches on. If the unit does not operate, refer to the troubleshooting information in the instructions for the pump.

**Figure 2.**  
**Pre-Assembled**



**Figure 3.**  
**Typical Installation**



REPLACEMENT PARTS LIST			
ITEM	PART NO.	DESCRIPTION	QTY.
1	113093	Basin, 24" x 24"	1
2	113094	Cover assembly, 18", roll top, 3V2D, 2V3D, and 2V2D, one-piece	1
	113184	Cover assembly, 18CS2V2D, split, foam, 18", w/bolt on flanges	
	113185	Cover assembly, 18CS2V3D, split, foam, 18", w/bolt on flanges	
	113181	Cover assembly, 18CS2V3D, 1-PC, SFOAM, 18", w/bolt on flanges	
	113182	Cover assembly, 18CS3V2D, 1-PC, SFOAM, 18", w/bolt on flanges	
	113186	Cover assembly, 18CS3V2D, split, foam, 18", w/bolt on flanges	
	113187	Cover assembly, 18CS3V3D, split, foam, 18", w/bolt on flanges	
	113057	Cover assembly, 18", 3V2D, or 2V3D, roll top	
3	113423	Pipe, discharge 2"	1
	113424	Pipe, discharge 3"	
4	940022	Check valve, 2"	1
	940023	Check valve, 3"	
	940026	Check/ball valve, 2"	
5	509500	9S-CIA-RFS	1
	511500	10S-CIA-RFS	
	509510	9S-CIA-RFS	
	511450	10S-CIM	
6	513288	HWAB tank alert (not shown)	1
	513273	High water alarm (not shown)	

For parts or repair, please contact ..... 1.888.572.9933  
 For technical assistance, please contact ..... 1.888.956.0000

[www.LittleGiantPump.com](http://www.LittleGiantPump.com)  
[CustomerService-WTS@fele.com](mailto:CustomerService-WTS@fele.com)