

## EN INTRODUCTION

You are now the owner of the finest fish-safe pond skimmer designed specifically for garden and koi ponds. Please follow these instructions to ensure a successful installation.

The pond skimmer is an important element of your water garden pond. It establishes the water level, houses the pump and plumbing, and removes floating debris (and submerged debris when using the optional bottom drain). It serves as a small biological filter, and circulates oxygenated water to additional filters and back to the pond. It is also a pump pre-filter to prevent the pump from clogging.

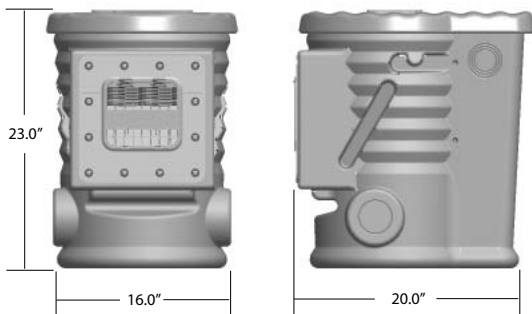
### SKIMMER FEATURES

- Leaf net to catch floating debris
- Biological brushes to aid in catching debris and eliminate clogging problems
- Easy-to-install liner weir cover plate
- Latching gate with a built-in seal allows the gate to be latched for temporary maintenance and servicing
- Removable inlet screen inhibits fish, frogs, and other aquatic life from entering the skimmer
- Heavy-duty, corrugated skimmer design with built-in anti-floatation lip
- Discharge ports on both sides of the skimmer offer installation flexibility
- Optional bottom drain ports on both sides of the skimmer for installation flexibility
- Built-in power cord routing slot in lid
- PVC supports stay permanently in place and provide additional support to skimmer walls during back-filling process
- Optional grommet provided for installing overflow line on back of skimmer wall

### INSTALLATION

**IMPORTANT:** Before beginning, read all instructions to familiarize yourself with the products and additional accessories that can be used. This will help to ensure that your water garden pond has been developed to meet your needs and properly installed.

Figure 1



- Model:** SK2.5
- Pump Range:** Up to 2,500 GPH
- Material:** High-density polyethylene
- Contents:** Skimmer vault, lid, fish inlet screen, weir plate, gate (with hinge pin/spring), foam float, seal, twelve 1/4" - 20 hex-head bolts (with washers), net, four biological filter brushes, 3/8" fiberglass rod, 2" grommet, upper PVC support.

### OPTIONAL ACCESSORIES

#### Discharge kits:

- 14940175 (DK-A) for 1-1/4" discharge pumps. Includes check valve and fitting required to convert from 1-1/4" vertical pump discharge to 2" PVC pipe or 2" flexible PVC hose.
- 14940176 (DK-B) for 1-1/2" and 2" discharge pumps. Includes check valve and fitting required to convert from 1-1/2" or 2" vertical pump discharge to 2" PVC pipe or 2" flexible PVC hose.
- 14940177 (DK-C) for 3" discharge pumps. Includes check valve and fitting required to convert from 3" vertical pump discharge to 3" PVC pipe or 3" flexible PVC hose.

#### Bottom drain kit:

- 566181 (PRS-BDK-2)  
Includes the bottom drain, gate valve, and all fittings except for the 2" connecting pipe.

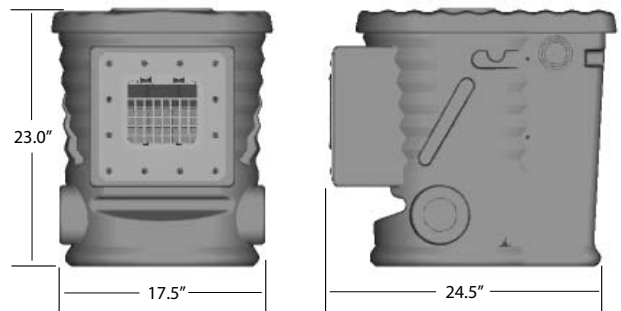
#### Matala mat:

- 170473 (SK2.5), 170338 (SK5), 170337 (SK10)

### LOCATING THE SKIMMER

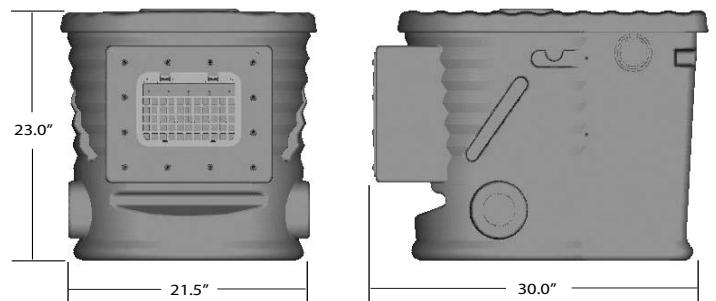
The pond skimmer can be hidden under cover stones, tall grasses, decks, etc. When possible, it is best to position the skimmer on the pond edge opposite the waterfall. This allows the waterfall and skimmer to interact together in cleansing the pond of surface debris. Consider the general layout of the pond before any excavation occurs, as well as the proximity of the power source to operate the pumps, lights, and additional water features. For very large or irregularly shaped ponds, use multiple skimmers for a more efficient pond cleansing.

Figure 2



- Model:** SK5
- Pump Range:** Up to 5,000 GPH
- Material:** High-density polyethylene
- Contents:** Skimmer vault, lid, fish inlet screen, weir plate, gate (with hinge pin/spring), foam float, seal, twelve 1/4" - 20 hex-head bolts (with washers), net, five biological filter brushes, 3/8" fiberglass rod, 2" grommet, upper and lower PVC supports.

Figure 3



- Model:** SK10
- Pump Range:** Up to 10,000 GPH
- Material:** High-density polyethylene
- Contents:** Skimmer vault, lid, fish inlet screen, weir plate, gate (with hinge pin/spring), foam float, seal, twelve 1/4" - 20 hex-head bolts (with washers), net, six biological filter brushes, 3/8" fiberglass rod, 2" grommet, 3" grommet, upper and lower PVC supports.

## EXCAVATING FOR SKIMMER

Refer to Fig. 1 - 3 for rough-sizing the hole for the skimmer. Be sure the bottom of the hole is heavily compacted to prevent settling. It is important to have the general pond layout finalized at this time with an overall idea of the final desired water level. The pond water level can be determined by using a string level at various locations in the excavated pond. The desired water level should be located 4" below the top edge of the protruding surface on the skimmer (Fig. 4). The weir cover plate has two water-level marks on the front to indicate the proper pond water level for optimum skimming.

It would be recommended to cut the hole in the side of the skimmer for the plumbing of the pump discharge (Fig. 5).

**IF USING A BOTTOM DRAIN, IT IS IMPORTANT TO ADDRESS THE LAYOUT DURING THIS PHASE OF THE INSTALLATION.**

## OPTIONAL BOTTOM DRAIN KIT

Installation of a bottom drain kit transforms the skimmer into a dual-flow pre-filter, allowing it to automatically draw dirty water from the bottom of the pond in addition to skimming the water surface.

**FOLLOW THE INSTRUCTIONS SUPPLIED SEPARATELY WITH THE BOTTOM DRAIN KIT, LOCATING THE DRAIN IN THE DEEPEST PORTION OF YOUR POND.**

## INSTALLING AND BACKFILLING SKIMMER

Place the empty skimmer vault in the excavated hole and check for clearance around the skimmer on all sides before backfilling.

1. Install the PVC pipe support rod(s). Model SK2.5 uses only one support rod; install it on the larger set of protrusions nearest the brush rod. Models SK5 and SK10 use two support rods, one upper and one lower. The short rod is the lower support and the longer rod is the upper support. These are designed to permanently fit on the protrusions inside the skimmer.
2. Check to make sure the vault is level from side to side and front to back.
3. Check to make sure the discharge port is accessible on the side being used. The opposite side, not being used, can be covered with soil. Do not backfill so high that the lid does not fit on top.
4. Check to make sure the desired water level of the pond matches up with the mark on the weir cover plate (Fig. 4).

Figure 4

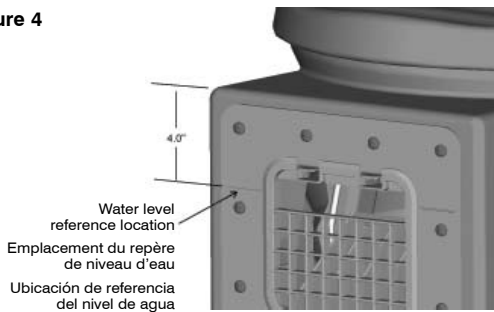
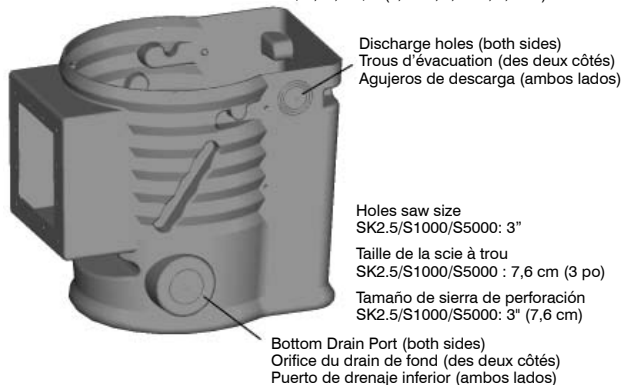


Figure 5

Hole saw sizes  
SK2.5/S1000: 2", 2-1/2", 3"  
S5000: 2-1/2", 3", 3-1/2"

Tailles de scie à trou  
SK2.5/S1000 : 5,1 cm (2 po), 6,4 cm (2 ½ po), 7,6 cm (3 po)  
S5000 : 6,4 cm (2 ½ po), 7,6 cm (3 po), 8,9 cm (3 ½ po)

Tamaños de sierra de perforación  
SK2.5/S1000: 2", 2-1/2", 3" (5,1 cm, 6,4 cm, 7,6 mm)  
S5000: 2-1/2", 3", 3-1/2" (6,4 cm, 7,6 cm, 8,9 cm)



5. Backfill soil directly under the skimmer entrance. Try to compact the soil so that it is nearly flush with the front face of the skimmer. This should be done to provide a solid surface for the pond liner so that it isn't forced into the excavated space.

6. Backfill with soil around all surfaces on the skimmer.

## ATTACHING LINER AND WEIR

**NOTE:** By this time the skimmer should be backfilled and the liner can be attached.

Allow about 12" of slack in the liner (below the skimmer) to minimize strain. This reduces strain on the liner as the pond is being filled with water, and could be advantageous if the liner requires being re-cut.

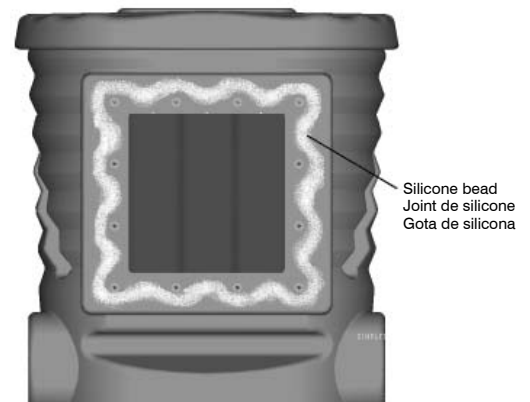
Before beginning this portion, familiarize yourself with the weir cover plate (Fig. 6), which is used to install the liner. The front portion of the weir is flat. The reverse side of the weir cover plate has a protruding feature that will be used to locate the liner.

1. Pull approximately 6 - 8" of liner up and lay it over the top of the skimmer.
2. Lay the weir cover plate over the liner, approximately 6" down from the edge of the liner. From the front side of the weir cover plate, make two diagonal cuts from corner to corner, stopping the cut about 1/4" from the corner.
3. Lightly stretch the liner and slide it over the edge of the weir cover plate. Pull the liner up until it is held in place against the back. Make sure that the liner lays flat against the plate.
4. Cut away the excess liner on the back side of the weir cover plate and install the plate (with installed liner) onto the front of the skimmer. Check to make sure the plate fits flush to the skimmer weir opening.
5. Apply RTV silicone (included) onto the front face of the skimmer (Fig. 7).
6. Install the weir cover plate (with installed liner) onto the face of the skimmer. Apply pressure so that the silicone is evenly compressed and distributed on the sealing surface.
7. Using a sharp point, pierce through the liner into each of the four corner holes in the weir cover plate.
8. Install a 1/4"-20 bolt with washer into each of the four corner holes (where the liner was pierced through) and hand-tighten them.

Figure 6



Figure 7



9. Using a sharp point, pierce through the liner into the remaining 8 holes, install the remaining eight 1/4"-20 bolts with washers, and hand tighten them.
10. Hand-tighten all screws in a criss-cross pattern.

### PUMP SIZING

For a 1,000 gallon pond use a 1,000 GPH rated pump. For a 5,000 gallon pond use a 5,000 GPH rated pump.

### INSTALLING PUMP AND PLUMBING

#### Submersible pumps:

Route the discharge pipe through either side of the skimmer. The skimmers are equipped with a hole saw template to locate the discharge hole (Fig. 5). If using discharge kit DK-A or DK-B, use 2" flexible hose or PVC pipe to connect the kit. If using discharge kit DK-C, use 3" flexible hose or pipe.

#### Out-of-pond (non-submersible) pumps:

The skimmer can also be used with out-of-pond pumps that use a suction line or a flooded suction with a check valve. The check valve is needed to maintain water in the suction line. It is recommended to also install a ball valve in-line next to the out-of-pond pump (on the discharge side of the pump) to shut off the water supply during pump servicing.

If installing a waterfall with the skimmer, it is always recommended to install a check valve somewhere in-line between the skimmer and waterfall. This prevents the waterfall vault from draining back into the skimmer, drying out the filters and killing the bacteria when the pump is off due to servicing or during a power outage.

### OPTIONAL OVERFLOW LINE

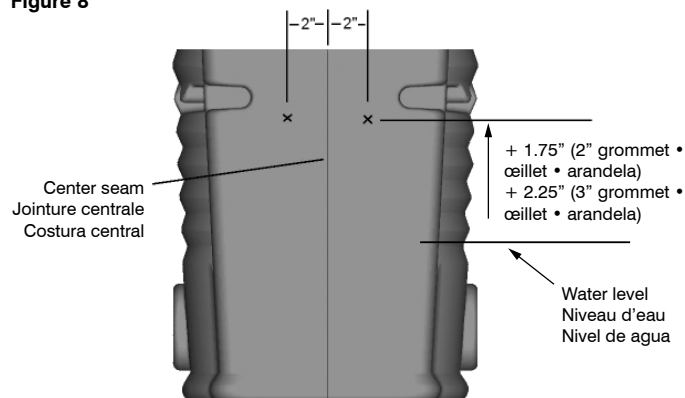
In times of heavy rain, it is common for the pond level to rise and/or overflow. The skimmer weir cover plate has two marks on the front to indicate the proper water level (Fig. 4). It is possible that the skimmer vault may not sit perfectly level after installation due to settling or other conditions.

To determine the best location for the overflow line, find the center seam (Fig. 8) on the outside back of the skimmer, then take two measurements:

1. Measure 2" to the left or right of this seam (depending upon your preference) and make a vertical mark.
2. On the outside of the skimmer's back wall, make a horizontal mark 1-3/4" above water level (if using a 2" grommet) or 2-1/4" above water level (if using a 3" grommet), intersecting it with the vertical mark. This will be the center point of the hole that will be drilled (Fig. 8). This hole should be drilled only after the skimmer has been installed and the pond water level has been established.

As a check for the measurement in step 2, make a reference mark inside the skimmer on the back wall and place the grommet inside against the skimmer wall. Try to line up the center of the 2" grommet with the mark while checking the water level. If the water level is higher than the inner diameter of the grommet, adjust the measurement until the water level is approximately 1/2" below the inner diameter. If you make this correction, transfer it to the outside before drilling.

Figure 8



If the measurements are acceptable and the grommet appears to be in the proper location, drill the hole using a 3" hole saw (2" grommet) or 4" hole saw (3" grommet). The final overflow line will be set approximately 1/2" above the water level. At this level, it should be in the safe range to keep the water from overflowing except in times of heavy rain.

Install the grommet as shown in Fig. 9. For easier installation, apply the provided lubricant to the inside of the pipe grommet and the outside of the pipe to be installed.

### SKIMMER MAINTENANCE

#### Skimmer Net:

The skimmer is supplied with a net that is used to catch surface debris from the pond. Inside the skimmer there are two side ledges and a lower ledge that support the net. Remove this net periodically and clean out the debris it has collected.

#### Biological Brushes:

The skimmer is supplied with biological brushes, which hang from a support rod. The brushes offer increased surface area, enhancing the growth of beneficial bacteria, and breaking up smaller debris. If the brushes become clogged, gently wash them in a 5-gallon bucket of pond water to get rid of the excess debris and then re-install in the skimmer. Do not use tap water to rinse the brushes, as it may harm the bacterial growth on the brushes.

#### OPTIONAL – Sand-Fill Plug (for lid):

For extra weight, you may add up to 10 pounds of sand to the lid through the hole in the bottom. For easier installation, tilt the lid so the sand enters freely. Use the included sand-fill plug to seal the hole.

#### Cleaning the Skimmer:

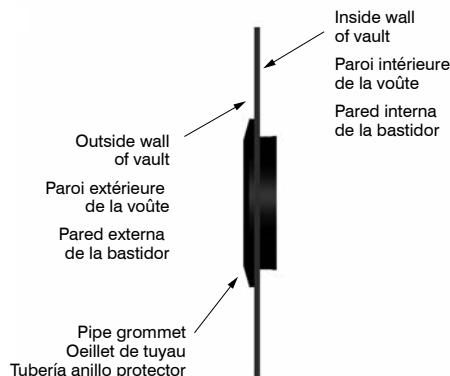
You may latch the weir gate closed while cleaning the skimmer vault without removing water from the pond. **NOTE:** The weir gate should be latched shut only for temporary skimmer maintenance. It is not recommended to leave the weir gate latched shut for longer periods.

Be sure that you have access to the power supply to the pump before following these steps:

1. If you are using a bottom drain, close the gate valve.
2. Remove the net and biological brushes by lifting the support rod.
3. Move the weir gate up into the vertical position until the two side latches lock into place. The water level inside the skimmer will begin to drop.
4. Allow the pump to run until about 4 - 5" of water remain in the skimmer. If the water is pumped down any lower it will introduce air bubbles into the plumbing and may cause a future air-lock (or prime loss). To remedy a pump air-lock, with the skimmer box filled with water, raise the pump slightly and jiggle the pump until the air bubbles leave the pump chamber.

After cleaning, replace the net and biological brushes. Skimmer maintenance should take only a short time every 1 - 2 weeks. It is recommended to keep the skimmer maintenance time at a minimum to keep the bacteria from being deprived of water for too long. If longer maintenance time is required, put the biological brushes in a 5-gallon bucket of pond water for temporary storage.

Figure 9



## Winter Care:

In cold climates (32°F and below) the pump may be shut off for winter. Remove the pump and pump discharge kit assembly (including check valve). Remove the net and biological brushes and leave the gate open with the pond at its normal level. If there is a chance that the pond will freeze, remove the gate by pressing the hinge pin inward until the gate releases. Store the gate until the winter season has passed and then re-install.

If the pump is left running during freezing weather, close the bottom drain gate valve to prevent mixing warm bottom water with colder surface water. Fish become dormant during the winter and if the bottom drain is open it disrupts their ability to become less active. In the spring, do not open the bottom drain gate valve until the surface water temperature averages above 40°F for at least one week.

## FR INTRODUCTION

Vous êtes maintenant propriétaire du meilleur système d'écumage pour plan d'eau. Sans danger pour les poissons, il est conçu spécifiquement pour les jardins et les plans d'eau à koi. Veuillez suivre ces instructions pour l'installer correctement. Le système d'écumage pour plan d'eau constitue un élément important de votre plan d'eau de jardin. Il établit le niveau d'eau, abrite la pompe et la tuyauterie et élimine les débris flottants (et les débris submergés lorsque le drain de fond en option est utilisé). Il sert de petit filtre biologique et fait circuler l'eau oxygénée vers les filtres additionnels et l'arrière du plan d'eau. Il sert aussi de pré-filtre de pompe en prévenant son obstruction.

### Caractéristiques du système d'écumage :

- Filet à feuille pour attraper les débris flottants.
- Brosses biologiques qui aident à attraper les débris et à éliminer les problèmes d'obstruction.
- Plaque-couvercle du déversoir de la toile facile à installer.
- Porte à verrouillage avec joint intégré pour l'entretien périodique et les réparations.
- Grillage d'admission amovible qui empêche les poissons, les grenouilles et autres créatures aquatiques de pénétrer dans le système d'écumage.
- Système d'écumage robuste et ondulé avec lèvre anti-flottaison intégrée.
- Orifices de refoulement sur les deux côtés, ce qui facilite l'installation.
- Orifices de fuite en option sur les deux côtés du système d'écumage, ce qui facilite l'installation.
- Fente d'acheminement de cordon d'alimentation intégrée au couvercle.
- Supports en PVC permanents, qui fournissent un support additionnel aux parois du système d'écumage pendant le processus de remblayage.
- Œillet en option fourni pour l'installation d'un conduit de débordement à l'endos de la paroi du système d'écumage.

**Modèle :** SK2.5

### Portée de

**la pompe :** Maximum 9 464 l/h (2 500 gal/h)

**Matériau :** Polyéthylène haute densité

**Contient :** Boîtier du système d'écumage, couvercle, grillage d'admission pour poissons, plaque de déversoir, porte (avec tige d'articulation/ressort), flotteur en mousse, joint, 12 boulons à six pans de 1/4 po - 20 (avec rondelles), filet, 4 brosses à filtre biologique, tige en fibre de verre de 0,9 cm (3/8 po), œillet de 5,1 cm (2 po), support supérieur en PVC.

**Modèle :** SK5

### Portée de

**la pompe :** Maximum 18 927 l/h (5 000 gal/h)

**Matériau :** Polyéthylène haute densité

**Contient :** Boîtier du système d'écumage, couvercle, grillage d'admission pour poissons, plaque de déversoir, porte (avec tige d'articulation/ressort), flotteur en mousse,

joint, 12 boulons à six pans de 1/4 po - 20 (avec rondelles), filet, 5 brosses à filtre biologique, tige en fibre de verre de 0,9 cm (3/8 po), œillet de 5,1 cm (2 po), supports supérieur et inférieur en PVC.

**Modèle :** SK10

### Portée de

**la pompe :** Maximum 37 854 l/h (10 000 gal/h)

**Matériau :** Polyéthylène haute densité

### Contient :

Boîtier du système d'écumage, couvercle, grillage d'admission pour poissons, plaque de déversoir, porte (avec tige d'articulation/ressort), flotteur en mousse, joint, 12 boulons à six pans de 1/4 po - 20 (avec rondelles), filet, 6 brosses à filtre biologique, tige en fibre de verre de 0,9 cm (3/8 po), œillet de 5,1 cm (2 po) et œillet de 7,6 cm (3 po), supports supérieur et inférieur en PVC.

## INSTALLATION

**IMPORTANT :** Avant de commencer, lire toutes les instructions pour se familiariser avec les produits et les accessoires additionnels qui peuvent être utilisés. Ceci permet de vous assurer que votre plan d'eau de jardin a été développé pour répondre à vos besoins et garantit une installation adéquate.

### ACCESSOIRES FACULTATIFS

#### Trousses d'évacuation :

- 14940175 (DK-A) pour 3,2 cm (1-1/4 po) pompes d'évacuation. Inclut un clapet anti-retour et un raccord requis pour convertir à partir d'une évacuation de pompe verticale de 3,2 cm (1-1/4 po) vers un tuyau en PVC de 5,1 cm (2 po) ou un tuyau flexible en PVC de 5,1 cm (2 po).
- 14940176 (DK-B) pour 3,8 cm (1-1/2 po) et 5,1 cm (2 po) pompes d'évacuation. Inclut un clapet anti-retour et un raccord requis pour convertir à partir d'une évacuation de pompe verticale de 3,8 cm (1-1/2 po) ou 5,1 cm (2 po) vers un tuyau en PVC de 5,1 cm (2 po) ou un tuyau flexible en PVC de 5,1 cm (2 po).
- 14940177 (DK-C) pour 7,6 cm (3 po) pompes d'évacuation. Inclut un clapet anti-retour et un raccord requis pour convertir à partir d'une évacuation de pompe verticale de 7,6 cm (3 po) vers un tuyau en PVC de 7,6 cm (3 po) ou un tuyau flexible en PVC de 7,6 cm (3 po).

#### Trousse de drain de fond :

- 566181 (PRS-BDK-2). Inclut le drain de fond, le robinet-vanne et tous les raccords à l'exception du tuyau de raccordement de 5,1 cm (2 po).

#### Matala filtre :

- 170473 (SK2.5), 170338 (SK5), 170337 (SK10)

### EMPLACEMENT DU SYSTÈME D'ÉCUMAGE

Le système d'écumage peut être facilement dissimulé sous des roches, de hautes herbes, une plate-forme, etc. La meilleure position pour le système d'écumage reste l'extrémité du plan d'eau opposée à la chute d'eau - lorsque la chose est possible. Ceci permet au système d'écumage d'interagir avec la chute pour nettoyer les débris de surface du plan d'eau. Tenir compte de la disposition générale du plan d'eau avant de commencer l'excavation. Tenir également compte des sources d'alimentation des pompes, de l'éclairage et des autres éléments du plan d'eau, etc. Les plans d'eau très grands ou de formes irrégulières exigent plusieurs systèmes d'écumage pour assurer un nettoyage efficace.

### EXCAVATION POUR LE SYSTÈME D'ÉCUMAGE

Consulter les schémas cotés pour évaluer les dimensions du trou du système d'écumage (Fig. 1 - 3). Veiller à ce que le fond du trou soit très bien compacté pour éviter un tassement. Il est important de terminer la disposition générale du plan d'eau à cette étape et d'avoir une idée générale du niveau d'eau désiré. Le niveau d'eau du plan d'eau peut être déterminé à l'aide d'une corde à niveau utilisée à plusieurs emplacements de l'excavation. Le niveau d'eau désiré doit être 10,2 cm (4 po) au-dessous du bord supérieur de la surface qui dépasse du système d'écumage (Fig. 4). La plaque-couvercle du déversoir comporte deux marques de « niveau d'eau » à l'avant pour indiquer le niveau d'eau qui permet un écumage optimal du plan d'eau.

Il est recommandé de découper un trou sur le côté du système d'écumage pour la tuyauterie de la pompe d'évacuation (Fig. 5).

**SI ON UTILISE UN DRAIN DE FOND, IL FAUT EN TENIR COMPTE DANS LES PLANS À CETTE ÉTAPE DE L'INSTALLATION.**

#### **TROUSSE FACULTATIVE DE DRAIN DE FOND**

L'installation d'un drain de fond transforme le système d'écumage en un véritable pré-filtre à double écoulement. Le système d'écumage peut alors aspirer automatiquement l'eau sale du fond du plan d'eau en plus d'écumer en surface. **SUIVRE LES INSTRUCTIONS FOURNIES SÉPARÉMENT AVEC LA TROUSSE DE DRAIN DE FOND ET PLACER LE DRAIN À L'ENDROIT LE PLUS PROFOND DE VOTRE PLAN D'EAU.**

#### **INSTALLATION ET REMBLAYAGE DU SYSTÈME D'ÉCUMAGE**

Placer le boîtier vide du système d'écumage dans le trou et veiller à laisser un espace libre sur tous les côtés du système d'écumage avant de remblayer.

1. Installer la ou les tiges de support pour tuyau en PVC. Le modèle SK2.5 n'utilise qu'une tige de support; qu'il faut installer sur le plus grand ensemble de protubérances situé le plus près de la tige à brosse. Les modèles SK5 et SK10 utilisent deux tiges de support : une tige inférieure et une tige supérieure. La tige courte sert de support inférieur et la longue de support supérieur. Elles sont conçues pour s'adapter de façon permanente aux protubérances à l'intérieur du système d'écumage.
2. S'assurer que le boîtier est de niveau d'un côté à l'autre et d'avant en arrière.
3. S'assurer que l'orifice de refoulement est accessible sur le côté utilisé. Le côté opposé, non utilisé, peut être recouvert de terre. Éviter de remblayer trop haut et d'empêcher le couvercle de s'ajuster.
4. Vérifier pour s'assurer que le niveau d'eau désiré du plan d'eau correspond avec la marque à l'avant de la plaque-couvercle du déversoir (Fig. 4).
5. Remblayer la terre directement sous l'entrée du système d'écumage. Essayer de compacter la terre pour qu'il soit presque à égalité avec la face avant du système d'évacuation. Ceci fournira ainsi une surface solide pour la toile du plan d'eau et empêchera qu'elle soit tirée dans l'espace creusé.
6. Remblayer avec de la terre autour de toutes les surfaces du système d'écumage.

#### **FIXATION DE LA TOILE ET DU DÉVERSOIR**

À cette étape, le système d'écumage devrait être remblayé et la toile peut alors être fixée. Laisser environ 30,5 cm (12 po) de jeu dans la toile (sous le système d'écumage) pour minimiser la tension. **UN JEU SUPPLÉMENTAIRE DE LA TOILE SOUS LE SYSTÈME D'ÉCUMAGE EST RECOMMANDÉ POUR DEUX RAISONS : 1) CECI EST AVANTAGEUX SI LA TOILE DOIT ÊTRE COUPÉE À NOUVEAU, ET 2) CECI RÉDUIT LA TENSION SUR LA TOILE LORSQUE LE PLAN D'EAU EST REMPLI.**

Avant de commencer cette étape, se familiariser avec la plaque-couvercle du déversoir, qui sert à installer la toile (Fig. 6). La portion avant du déversoir est plate. L'endos de la plaque-couvercle du déversoir comporte une protubérance pour aider à placer la toile.

1. Tirer environ 15,2 à 20,3 cm (6 à 8 po) de toile vers le haut et la placer sur le dessus du système d'écumage.
2. Placer la plaque-couvercle du déversoir par-dessus la toile, à environ 15,2 cm (6 po) au-dessous du bord de la toile. À partir de la partie avant de la plaque-couvercle du déversoir, faire deux coupes en diagonale d'un coin à l'autre (arrêter à environ 6,4 mm [1/4 po] du coin).
3. Étirer légèrement la toile, puis la faire glisser par-dessus le bord de la plaque-couvercle du déversoir. Tirer la toile vers le haut jusqu'à ce qu'elle reste en place contre l'endos. S'assurer que la toile est bien à plat contre la plaque.
4. Couper l'excès de toile sur l'endos de la plaque-couvercle du déversoir et installer la plaque-couvercle (avec la toile installée) sur le devant du système d'écumage. Vérifier que la plaque-couvercle du déversoir s'ajuste exactement à l'ouverture du déversoir du système d'écumage.

5. Appliquer de la silicone RTV de qualité aquatique (fournie) sur la plaque avant du système d'écumage (Fig. 7).
6. Installer la plaque-couvercle du déversoir (avec la toile installée) sur la face du système d'écumage. Appliquer une pression pour comprimer et distribuer la silicone de façon uniforme sur la surface d'étanchéité.
7. À l'aide d'un outil pointu, percer la toile dans chacun des coins des douze trous de la plaque-couvercle du déversoir.
8. Visser des boulons à six pans de 1/4 po - 20 (avec rondelles) dans les quatre coins (à l'endroit où la toile a été percée). Serrer les quatre boulons à la main.
9. À l'aide d'un outil pointu, percer les huit trous restants et visser les huit boulons à six pans de 1/4 po - 20 (avec rondelles). Serrer ces boulons à la main.
10. Serrer à la main toutes les boulons sur le pourtour de la plaque-couvercle (en croisé).

#### **CALIBRAGE DE LA POMPE**

Pour un plan d'eau de 3 785 litres (1 000 gal), utiliser une pompe qui peut débiter 3 785 l/h (1 000 gal/h). Pour un plan d'eau de 18 927 litres (5 000 gal), utiliser une pompe qui peut débiter 18 927 l/h (5 000 gal/h).

#### **INSTALLATION DE LA POMPE ET DE LA TUYAUTERIE**

##### **Pompes submersibles :**

Le conduit d'évacuation peut être acheminé au travers de l'un ou l'autre côté du système d'écumage. Les systèmes d'écumage sont équipés de gabarits pour scie à trou qui permettent de repérer le trou d'évacuation (Fig. 5). Si la trousse d'évacuation DK-A ou DK-B est employée, utiliser un tuyau flexible ou un tuyau en PVC de 5 cm (2 po) pour faire le raccordement à la trousse. Si la trousse d'évacuation DK-C est employée, utiliser un tuyau flexible ou un tuyau de 7,6 cm (3 po).

##### **Pompes à l'extérieur du plan d'eau (pompes non submersibles) :**

Le système d'écumage peut également être raccordé à une pompe non submersible qui utilise un conduit d'aspiration ou un dispositif de suction submergé muni d'un clapet anti-retour.

Le clapet anti-retour est requis pour garder de l'eau dans le conduit d'aspiration. Il est également recommandé d'installer un clapet à bille en ligne, juste à côté de la pompe non submersible (sur le côté évacuation de la pompe), pour couper l'alimentation en eau lors de l'entretien de la pompe. Si une chute est installée avec le système d'écumage, il est toujours recommandé d'installer un clapet anti-retour entre le système d'écumage et la chute. Ceci empêche l'eau dans le boîtier de la chute de refouler dans le système d'écumage, d'assécher les filtres et de tuer les bactéries lorsque la pompe est à l'arrêt pour fins d'entretien ou en raison d'une panne de courant.

#### **CONDUITE DE DÉBORDEMENT FACULTATIVE**

Lors de périodes de pluies excessives, le niveau du plan d'eau tend à monter et à déborder. Comme nous l'avons indiqué précédemment, la plaque-couvercle du déversoir comporte deux marques à l'avant qui indiquent le niveau d'eau adéquat (Fig. 4). Il est possible que le boîtier du système d'écumage ne soit pas parfaitement de niveau après l'installation, en raison du tassement, etc. Utiliser les informations suivantes pour déterminer avec précision le meilleur emplacement de la ligne de débordement. Ce trou doit être percé seulement après avoir installé avec succès le système d'écumage et établi le niveau d'eau du plan d'eau. Pour déterminer l'emplacement, vous aurez besoin de prendre deux mesures. Repérer la jointure centrale (Fig. 8) à l'arrière du système d'écumage (à l'extérieur).

1. Mesurer 5 cm (2 po) à gauche ou à droite (au choix) de cette jointure et tracer un repère vertical.
2. Sur la paroi arrière (côté externe) du système d'écumage, tracer un repère horizontal venant croiser le repère vertical : à 4,45 cm (1-3/4 po) au-dessus du niveau d'eau pour un œillet de 5 cm [2 po], ou à 5,70 cm (2-1/4 po) au-dessus du niveau d'eau pour un œillet de 7,60 cm [3 po]. Cette marque sera le point central du trou à percer (Fig. 8).

**POUR VÉRIFIER LA MESURE FAITE À L'ÉTAPE 2, FAIRE UNE MARQUE DE RÉFÉRENCE À L'INTÉRIEUR DU SYSTÈME D'ÉCUMAGE SUR LA PAROI ARRIÈRE ET PLACER LE ŒILLET DE 5,1 CM (2 PO) (CÔTÉ CLOISON CONTRE LA PAROI)**

**À L'ENVERS CONTRE LA PAROI DU SYSTÈME D'ÉCUMAGE. ESSAYER D'ALIGNER LE CENTRE DU CÉILLET DE 5,1 CM (2 PO) AVEC LA MARQUE, TOUT EN VÉRIFIANT LE NIVEAU D'EAU. SI LE NIVEAU D'EAU EST PLUS HAUT QUE LE DIAMÈTRE INTÉRIEUR DU CÉILLET DE 5,1 CM (2 PO), AJUSTER LA MESURE JUSQU'À CE QUE LE NIVEAU D'EAU SOIT À ENVIRON 1,3 CM (½ PO) SOUS LE DIAMÈTRE INTÉRIEUR. SI UNE CORRECTION EST FAITE, VEILLER À LA TRANSFÉRER À L'EXTÉRIEUR AVANT DE PERCER.**

Si les mesures sont acceptables et que le œillet semble bien placé, percer le trou à l'aide d'une scie à trou de 7,6 cm (3 po) (2 po œillet) ou d'une scie à trou de 10,1 cm (4 po) (3 po œillet). La ligne de débordement finale sera à environ 1,3 cm (½ po) au-dessus du niveau d'eau. À ce niveau, elle devrait être dans une plage sécuritaire pour prévenir un débordement d'eau, à moins que les pluies ne soient exceptionnellement abondantes.

À ce moment-ci, le œillet doit être installé comme l'indiquent les figure 9. Pour faciliter l'installation, appliquer du lubrifiant fourni sur l'intérieur du trou de passage du tuyau et sur l'extérieur du tuyau à installer.

### ENTRETIEN DU SYSTÈME D'ÉCUMAGE

#### Filet de système d'écumage :

Le système d'écumage est fourni avec un filet qui permet d'attraper les débris de surface du plan d'eau. L'intérieur du système d'écumage comporte deux rebords d'appui latéraux qui supportent le filet, en plus d'un rebord d'appui inférieur. Il doit être enlevé régulièrement pour nettoyer les débris qu'il a collectés.

#### Brosses biologiques :

Le système d'écumage est fourni avec des brosses biologiques qui pendent sur une tige de support. Les brosses augmentent la surface afin de multiplier la croissance des bactéries bénéfiques et de désagréger les petits débris. Si les brosses sont trop obstruées, les laver doucement dans un seau de 18,9 litres (5 gal) rempli d'eau du plan d'eau pour éliminer l'excès de débris, et les réinstaller dans le système d'écumage. Ne pas utiliser l'eau du robinet pour rincer les brosses, ce qui pourrait nuire à la croissance des bactéries sur les brosses.

#### FACULTATIF – Bouchon rempli de sable (pour le couvercle) :

On pourra remplir le couvercle de sable (par le trou en dessous du couvercle) pour ajouter du poids. On peut ajouter un bouchon pour boucher le trou en dessous du couvercle. Lorsqu'on verse le sable, il est préférable d'incliner le couvercle pour que le sable puisse entrer librement. Ne pas ajouter plus de 4,5 kg (10 lb) de sable dans le couvercle.

#### Nettoyage du système d'écumage :

Si la voûte du système d'écumage doit être nettoyée, la porte du système d'écumage peut être verrouillée sans avoir à vider le plan d'eau. **REMARQUE :** La porte du déversoir doit être verrouillée seulement lors de l'entretien du système d'écumage. Il n'est pas recommandé de laisser la porte du déversoir verrouillée pendant des périodes de temps prolongées.

Suivre les étapes suivantes (veiller à avoir accès à la source d'alimentation électrique de la pompe avant de procéder à ces étapes) :

1. Si un drain de fond est utilisé, fermer le robinet-vanne.
2. Enlever le filet et les brosses biologiques en soulevant la tige de support.
3. Déplacer la porte articulée vers le haut, en position verticale, jusqu'à ce que les deux verrous latéraux se verrouillent en place (le niveau d'eau à l'intérieur du système d'écumage va commencer à baisser).
4. Laisser fonctionner la pompe jusqu'à ce que le système d'écumage contienne environ 10,2 à 12,7 cm (4 à 5 po) d'eau. Si l'eau est pompée pour atteindre un niveau plus bas, des bulles d'air seront introduites dans la plomberie et pourraient causer une poche d'air (ou une perte à l'amorçage). Pour éliminer une poche d'air alors que le boîtier du système d'écumage est rempli d'eau, il suffit de soulever légèrement la pompe et de la secouer un peu jusqu'à ce que les bulles d'air sortent de la chambre de la pompe.

Après le nettoyage, remettre en place le filet et les brosses biologiques.

L'entretien du système d'écumage devrait prendre peu de temps à chaque semaine ou aux deux semaines. Il est recommandé de réduire au minimum le temps d'entretien du système d'écumage afin d'éviter que les bactéries ne soient privées d'eau pendant une période de temps trop longue. Si l'on prévoit prendre plus de temps pour l'entretien, mettre les brosses biologiques dans un seau de 18,9 litres (5 gal) d'eau du plan d'eau.

#### Entretien d'hiver :

Dans les climats froids (0 °C/32 °F et moins), on peut arrêter la pompe pendant l'hiver. Retirer la pompe et la trousse d'évacuation de pompe (y compris le clapet anti-retour). Enlever le filet et les brosses biologiques et laisser la porte ouverte alors que l'eau du plan d'eau est à son niveau normal. S'il est probable que le plan d'eau gèle, il est recommandé d'enlever la porte. Pour enlever la porte, il suffit d'enfoncer la tige articulée vers l'intérieur jusqu'à ce que la porte soit dégagée. Ranger la porte pour l'hiver et la réinstaller à la saison chaude.

Si on laisse fonctionner la pompe pendant les périodes de gel, le robinet-vanne du drain de fond doit être fermé pour éviter le mélange de l'eau tiède du fond avec l'eau de surface plus froide. Les poissons hivernent pendant la saison froide et un drain de fond ouvert les empêche de réduire leur activité. Au printemps, ne pas ouvrir le robinet-vanne du drain de fond avant que la température de surface n'ait atteint en moyenne plus de 4,4 °C (40 °F) pendant au moins une semaine.

## ES INTRODUCCIÓN

Usted adquirió la mejor depuradora para estanques, segura para peces, diseñada específicamente para estanques-jardines y estanques para peces koi. Siga estas instrucciones para garantizar una instalación exitosa. La depuradora para estanques es un elemento importante de su estanque – jardín acuático. Establece el nivel de agua, aloja la bomba y la tubería y elimina los desechos que flotan (y los sumergidos, al utilizar el drenaje inferior opcional). Funciona como un filtro biológico pequeño y hace circular el agua oxigenada a los filtros adicionales y de vuelta al estanque. También funciona como un prefiltro de la bomba que evita que ésta se tape.

#### Características de la depuradora:

- Malla para hojas para atrapar desechos que flotan
- Cepillos biológicos para ayudar a atrapar desechos y eliminar problemas de obstrucción.
- Tapa del forro del vertedero de fácil instalación.
- Compuerta de cierre con sello incorporado que permite asegurarla temporalmente para mantenimiento y reparaciones.
- Rejilla de entrada removible que evita que peces, ranas y otros tipos de vida acuática entren en la depuradora.
- Depuradora de diseño corrugado, de uso pesado con reborde antiflotación integrado.
- Puertos de descarga a ambos lados de la depuradora que ofrecen flexibilidad para la instalación.
- Puertos de drenaje inferior a ambos lados de la depuradora para flexibilidad de la instalación.
- Ranura integrada en la tapa para orientar el cable de energía.
- Los soportes de PVC permanecen en su sitio y proporcionan apoyo adicional a las paredes de la depuradora durante el proceso de llenado.
- Opcional arandela se suministra para la instalación de una línea de desbordamiento en la parte posterior de la depuradora.

**Modelo:** SK2.5

#### Escala de la bomba:

Máximo 2500 GPH (9.464 litros/hora)

#### Material:

Polietileno de alta densidad

#### Contenido:

Bastidor de la depuradora, tapa, rejilla de entrada para peces, placa de vertedero, compuerta (con pasador/ resorte de bisagra), flotador de espuma, sello, 12 pernos hexagonal de 1/4 pulg - 20 (con arandelas), red, 4 cepillos de filtro biológico, varilla de fibra de vidrio de 3/8 pulg (9,5 mm), arandela de 2 pulg (5,1 cm), soporte superior de PVC.

**Modelo:** SK5  
**Escala de la bomba:** Máximo 5000 GPH (18.927 litros/hora)  
**Material:** Polietileno de alta densidad  
**Contenido:** Bastidor de la depuradora, tapa, rejilla de entrada para peces, placa de vertedero, compuerta (con pasador/ resorte de bisagra), flotador de espuma, sello, 12 pernos hexagonal de 1/4 pulg - 20 (con arandelas), red, 5 cepillos de filtro biológico, varilla de fibra de vidrio de 3/8 pulg (9,5 mm), arandela de 2 pulg (5,1 cm), soportes superior e inferior de PVC.

**Modelo:** SK10  
**Escala de la bomba:** Máximo 10.000 GPH (37.854 litros/hora)  
**Material:** Polietileno de alta densidad  
**Contenido:** Bastidor de la depuradora, tapa, rejilla de entrada, placa de vertedero, compuerta (con pasador/resorte de bisagra), flotador de espuma, sello, 12 pernos hexagonal de 1/4 pulg - 20 (con arandelas), red, 6 cepillos de filtro biológico, varilla de fibra de vidrio de 3/8 pulg (9,5 mm), arandela de 2 pulg (5,1 cm) y arandela de 3 pulg (7,6 cm), soportes superior e inferior de PVC.

### INSTALACIÓN

**IMPORTANTE:** Antes de comenzar, lea todas las instrucciones para familiarizarse con los productos y accesorios adicionales que se pueden usar. Esto ayudará a garantizar que su estanque-jardín acuático haya sido diseñado para satisfacer sus necesidades y garantizar una instalación correcta.

### ACCESORIOS OPCIONALES

#### Juegos de descarga:

- 14940175 (DK-A) para 1-1/4 pulg (3,2 cm) descarga bombas. Incluye la válvula de retención y el acople requerido para convertir la descarga vertical de la bomba de 1 1/4 pulg (3,2 cm) a tubería de PVC de 2 pulg (5,1 cm) o a manguera flexible de PVC de 2 pulg (5,1 cm).
- 14940176 (DK-B) para 1-1/2 pulg (3,8 cm) y 2 pulg (5,1 cm) descarga bombas. Incluye la válvula de retención y el acople requerido para convertir la descarga vertical de la bomba de 1-1/2 pulg (3,8 cm) o 2 pulg (5,1 cm) a tubería de PVC de 2 pulg (5,1 cm) o a manguera flexible de PVC de 2 pulg (5,1 cm).
- 14940177 (DK-C) para 3 pulg (7,6 cm) descarga bombas. Incluye la válvula de retención y el acople requerido para convertir la descarga vertical de la bomba de 1 1/2 pulg (3,8 cm) a tubería de PVC de 2 pulg (5,1 cm) o a manguera flexible de PVC de 2 pulg (5,1 cm).

#### Juego de drenaje inferior:

- 566181 (PRS-BDK-2). Incluye el drenaje inferior, la válvula de compuerta y todos los acoples, excepto el tubo de conexión de 2 pulg (5,1 cm).

#### Matala filtro:

- 170473 (SK2.5), 170338 (SK5), 170337 (SK10)

### UBICACIÓN DE LA DEPURADORA

La depuradora de estanques se puede ocultar fácilmente bajo piedras, hierbas altas, plataformas, etc. Cuando sea posible, es mejor ubicar la depuradora en el borde del estanque opuesto a las caídas de agua. Esto permite que la caída de agua y la depuradora interactúen entre sí para limpiar los desechos de la superficie del estanque. Considere la configuración general del estanque antes de realizar cualquier excavación. Considere también la proximidad de la fuente de energía para operar las bombas, las luces, las características adicionales de agua que tendrá el estanque, etc. Para estanques muy grandes o estanques de forma irregular, se deben usar varias depuradoras para lograr una limpieza más eficiente del estanque.

### EXCAVACIÓN PARA LA DEPURADORA

Consulte los diagramas dimensionales para dimensionar aproximadamente el hoyo para la depuradora (Fig. 1 - 3). Asegúrese de que el fondo del hoyo esté compactado firmemente para evitar que la depuradora se hunda. Es importante tener terminada la configura-

ción general del estanque en este momento con una idea general del nivel final de agua deseado. El nivel de agua del estanque se puede determinar usando una cuerda de nivel en varios puntos del estanque excavado. El nivel de agua "deseado" debe estar situado a 4 pulg (10,2 cm) por debajo del borde superior de la superficie que sobresale de la depuradora (Fig. 4). La tapa del vertedero tiene dos marcas de "nivel de agua" en la parte frontal que indican el nivel de agua correcto del estanque para una depuración óptima.

Se recomienda perforar el agujero al lado de la depuradora para la tubería de descarga de la bomba (Fig. 5).

SI SE UTILIZA UN DRENAJE INFERIOR, ES IMPORTANTE DEFINIR LA CONFIGURACIÓN EN ESTA FASE DE LA INSTALACIÓN.

### JUEGO OPCIONAL PARA EL DRENAJE INFERIOR

La instalación de un juego de drenaje inferior transforma la depuradora en un verdadero prefiltro de doble flujo. La bomba ahora extraerá automáticamente el agua sucia del fondo del estanque, además de contar con su capacidad para depurar la superficie. **SIGA LAS INSTRUCCIONES SUMINISTRADAS POR SEPARADO CON EL JUEGO DE DRENAJE INFERIOR, SITUANDO EL DRENAJE EN LA PARTE MÁS PROFUNDA DE SU ESTANQUE.**

### INSTALACIÓN Y RELLENADO DE LA DEPURADORA

Coloque la bastidor vacío de la depuradora en el hoyo excavado y verifique el espacio en todos los lados antes de rellenarla.

1. Instale la(s) varilla(s) de soporte del tubo de PVC. El modelo SK2.5 usa solamente una varilla de soporte; instéla en el conjunto más grande de protuberancias que está más cercano a la varilla de cepillos. Los modelos SK5 y SK10 usan dos varillas de soporte, una superior y una inferior. La varilla más corta es el soporte inferior y la varilla más larga es el soporte superior. Estos están diseñados para encajar permanentemente en las protuberancias dentro de la depuradora.
2. Revise para asegurarse de que la bastidor esté a nivel de un lado a otro y del frente hacia atrás.
3. Revise para asegurarse de que el puerto de descarga esté accesible del lado que se está usando. El lado opuesto, que no se está usando, se puede cubrir con tierra. No rellene tan alto que la tapa no encaje en la parte superior.
4. Revise para asegurarse de que el nivel deseado del agua del estanque corresponda a la marca del frente de la tapa del vertedero (Fig. 4).
5. Rellene con tierra directamente debajo de la entrada de la depuradora. Trate de compactar la tierra de tal forma que quede aproximadamente a ras con la parte frontal de la depuradora. Esto se debe hacer para proporcionar una superficie sólida para el forro del estanque de tal forma que no quede forzado en el espacio excavado.
6. Rellene con tierra alrededor de todas las superficies de la depuradora.

### INSTALACIÓN DEL FORRO Y DEL VERTEDERO

En este momento, la depuradora debe estar rellena y el forro puede ser instalado.

Deje aproximadamente 12 pulg (30,5 cm) de holgura en el forro (debajo de la depuradora) para minimizar la presión. **SE RECOMIENDA DEJAR HOLGURA ADICIONAL EN EL FORRO, DEBAJO DE LA DEPURADORA POR DOS RAZONES: 1) PUEDE SER VENTAJOSO EN CASO DE QUE SE REQUIERA CORTAR NUEVAMENTE EL FORRO Y 2) REDUCE LA PRESIÓN SOBRE EL FORRO A MEDIDA QUE EL ESTANQUE SE ESTÁ LLENANDO CON AGUA.**

Antes de empezar esta parte, familiarícese con la tapa del vertedero, la cual se suele usar para instalar el forro (Fig 6). La parte frontal del vertedero es plana. El reverso de la tapa del vertedero tiene una característica sobresaliente que se utilizará para situar el forro.

1. Tire del forro, aproximadamente 6-8 pulg (15,2 - 20,3 cm) de forro hacia arriba, y colóquelo sobre la parte superior de la depuradora.
2. Coloque la tapa del vertedero sobre el forro, aproximadamente a 6" (15,2 cm) abajo del borde del forro. Desde el lado frontal de la tapa del vertedero, haga dos cortes diagonales de esquina a

esquina (detenga el corte aproximadamente a 1/4 pulg (6,4 mm) de la esquina).

3. Tome el forro y estírelo ligeramente y deslícelo sobre el borde de la tapa del vertedero. Hale el forro hacia arriba hasta que se sostenga en su sitio contra la parte posterior. Asegúrese de que el forro descansa plano contra la tapa.
4. Corte el exceso de forro de la parte posterior de la tapa del vertedero e instale ésta (con el forro instalado) en la parte frontal de la depuradora. Revise para asegurarse de que la tapa del vertedero encaje a ras con la abertura del vertedero de la depuradora.
5. Aplique silicona RTV de grado acuático adecuado (suministrados) en la parte frontal de la depuradora (Fig. 7).
6. Instale la tapa del vertedero (con el forro instalado) en la parte frontal de la depuradora. Aplique presión de tal forma que la silicona se comprima y distribuya uniformemente en la superficie de sellado.
7. Usando una punta aguda, perfora a través del forro en cada una de las cuatro esquinas de los 12 agujeros de la tapa del vertedero.
8. Instale pernos hexagonal de 1/4 pulg - 20 (con arandelas) en cada una de las cuatro esquinas (donde se perforó previamente el forro). Apriete manualmente los cuatro pernos.
9. Usando una punta aguda, perfora a través de los 8 agujeros restantes y luego instale los 8 pernos hexagonal de 1/4 pulg - 20 (con arandelas) restantes. Apriete manualmente los pernos restantes.
10. Ajuste manualmente todos los pernos (desplazándose alrededor de la tapa en forma de cruz).

#### CAPACIDAD DE LA BOMBA

Para un estanque de 1.000 galones (3785 litros) use una bomba con capacidad de 1.000 GPH (3785 litros). Para un estanque de 5000 galones (18.927 litros) use una bomba con capacidad de 5000 GPH (18.927 litros).

#### INSTALACIÓN DE LA BOMBA Y LA TUBERÍA

##### Bombas sumergibles:

La tubería de descarga se puede tender a través de cualquiera de los lados de la depuradora. Las depuradoras están equipadas con una plantilla de perforación de agujeros para situar el agujero de descarga (Fig. 5). Si se utiliza el juego de descarga DK-A o el DK-B, use una manguera flexible o tubería de PVC de 5 cm (2 pulg.) para conectar el juego. Si se utiliza el juego de descarga DK-C, use una manguera flexible o tubería de PVC de 7,6 cm (3 pulg.).

##### Bombas externas al estanque (bombas no sumergibles):

La depuradora también se puede instalar para usarla con bombas externas al estanque que utilizan una línea de succión o una succión inundada con una válvula de retención. La válvula de retención se necesita para mantener el agua en la línea de succión. También se recomienda instalar una válvula esférica en línea, al lado de la bomba externa al estanque (en el lado de descarga de la bomba) para cortar el suministro de agua durante el mantenimiento de la bomba. Si se instala una caída de agua con la depuradora, siempre se recomienda instalar una válvula de retención en algún punto de la línea entre la depuradora y la caída de agua. Esto evita que la bastidor de la caída de agua drene de retorno a la depuradora y seque los filtros y mate las bacterias cuando la bomba se apague debido a una reparación o durante un corte de energía.

#### LÍNEA DE REBOSE OPCIONAL

En tiempos de lluvia excesiva, es común que el nivel del estanque se eleve y/o rebose. Como se estableció anteriormente, la tapa del vertedero de la depuradora tiene dos marcas en la parte frontal para indicar el nivel de agua correcto (Fig 4). Es posible que la bastidor de la depuradora no quede perfectamente a nivel después de la instalación debido al asentamiento, etc. Para determinar con precisión la mejor ubicación de la línea de rebose, utilice la siguiente información. Este agujero se debe perforar solamente después de que la depuradora se haya instalado con éxito y se haya establecido el nivel del agua del estanque. Para determinar la ubicación usted necesitará tomar dos medidas. Localice la costura central (Fig. 8) de la parte posterior de la depuradora (en la parte externa).

1. Mida 5,1 cm. (2 pulg) hacia la izquierda o derecha de esta costura (dependiendo de su preferencia) y trace una marca vertical.

2. En la parte exterior de la pared trasera de la depuradora, trace una marca horizontal de 4,45 cm (1 3/4 pulg.) por encima del nivel del agua (si usa un ojal de 2 pulg. [5,1 cm]) o a 5,71 cm (2-1/4 pulg.) por encima del nivel del agua (si usa un ojal de 7,62 cm [3 pulg.]) y hágala intersectar con la marca vertical. Este será el punto central del agujero que se perforará (Fig. 8).

**COMO VERIFICACIÓN DE LA MEDICIÓN DEL PASO 2, TRACE UNA MARCA DE REFERENCIA DENTRO DE LA DEPURADORA EN LA PARED TRASERA Y COLOQUE LA ARANDELA DE 2 PULG (5,1 CM) (LADO DE CONTENCIÓN CONTRA LA PARED) ADENTRO CONTRA LA PARED DE LA DEPURADORA. TRATE DE ALINEAR EL CENTRO DE LA ARANDELA DE 2 PULG (5,1 CM) CON LA MARCA, AL TIEMPO QUE VERIFICA EL NIVEL DE AGUA. SI EL NIVEL DE AGUA ESTÁ MÁS ALTO QUE EL DIÁMETRO INTERNO DE LA ARANDELA DE 2 PULG (5,1 CM), AJUSTE LA MEDICIÓN HASTA QUE EL NIVEL DE AGUA ESTÉ APROXIMADAMENTE A 1/2 (1,3 CM) POR DEBAJO DEL DIÁMETRO INTERNO. SI HACE ESTA CORRECCIÓN, ASEGÚRESE DE TRANSFERIRLA A LA PARTE EXTERIOR ANTES DE PERFORAR.**

Si las mediciones son aceptables y la arandela parece estar en la ubicación adecuada, perfora el agujero usando una sierra de agujero de 3 pulg (7,6 cm) (2 pulg arandela) o sierra de agujero de 4 pulg (10,1 cm) (3 pulg arandela). La línea final de rebose se establecerá a aproximadamente 1/2 pulg (1,3 cm) por encima del nivel de agua. A este nivel, se debe estar en el margen seguro para evitar que el agua rebose a menos que haya una situación extrema de lluvias.

La arandela se debe estar instalada como se muestra en las figura 9. Para una instalación más simple, aplique el lubricante que se proporciona, al interior de la arandela de la tubería y al exterior de la tubería que instalará.

#### MANTENIMIENTO DE LA DEPURADORA

##### Malla de la depuradora:

La depuradora se suministra con una malla que se utiliza para capturar los desechos de la superficie del estanque. Hay dos bordes laterales dentro de la depuradora que sostienen la malla, además de un borde inferior. Será necesario retirarla periódicamente para limpiar los desechos que haya recolectado.

##### Cepillos biológicos:

La depuradora se suministra con cepillos biológicos que cuelgan de una varilla de soporte. Los cepillos ofrecen una mayor área de superficie, mejorando el crecimiento de las bacterias beneficiosas así como la desintegración de pequeños desechos. Si los cepillos se obstruyen demasiado, lávelos suavemente en un cubo de 5 galones (18,9 litros) de agua del estanque para retirar el exceso de desechos y luego instálelos de nuevo en la depuradora. No utilice agua del grifo para enjuagar los cepillos ya que ello puede afectar el crecimiento de bacterias en los mismos.

##### OPCIONAL - Tapón de relleno de arena (para la tapa):

Se puede agregar arena a la tapa (a través del agujero en el fondo de la tapa) para contar con mayor peso. Se ha incluido un tapón para sellar el agujero de la tapa en el fondo de la misma. Al instalar la arena, es útil tener la tapa inclinada de tal manera que la arena entre libremente. No agregue más de 10 libras (4,5 kg) de arena a la tapa.

##### Limpieza de la depuradora:

En caso de que necesite limpiar la bastidor de la depuradora, usted puede cerrar la compuerta de la misma sin tener que preocuparse por retirar el agua del estanque. **NOTA:** La compuerta del vertedero sólo debe cerrarse temporalmente durante el mantenimiento de la depuradora. No se recomienda dejar la compuerta del vertedero cerrada durante largos períodos.

Se deben seguir los pasos a continuación (asegúrese de tener acceso a la fuente de energía de la bomba antes de seguir estos pasos):

1. Si está utilizando un drenaje inferior, cierre la válvula de compuerta.
2. Retire la malla y los cepillos biológicos levantando la varilla de soporte.
3. Mueva la compuerta giratoria a su posición vertical hasta que los dos cierres laterales estén fijos en su sitio (el nivel de agua dentro de la depuradora empezará a bajar).
4. Deje que la bomba opere hasta que queden aproximadamente 4-5 pulg (10,2 -12,7 cm) de agua en la depuradora. Si se bombea hasta un nivel más bajo de agua fuera se introducirán burbujas de agua



a la tubería y puede ocasionarse un bloqueo por bolsa de aire (o una pérdida de cebado) en el futuro. Para remediar un bloqueo por bolsa de aire de la bomba, con el bastidor de la depuradora llena de aire, simplemente levante la bomba un poquito y sacúdala hasta que las burbujas de agua salgan de la cámara de la bomba.

Después de la limpieza, coloque de nuevo la malla y los cepillos biológicos. El mantenimiento de la depuradora sólo debe tomar un poco de tiempo cada 1-2 semanas. Se recomienda que el tiempo de mantenimiento de la depuradora se mantenga a un mínimo para evitar que las bacterias no estén sin agua por demasiado tiempo. Si se requiere mayor tiempo de mantenimiento, simplemente coloque los cepillos biológicos en un cubo de 5 galones (18,9 litros) con agua del estanque en almacenamiento temporal.

**Cuidado en el invierno:**

Se puede apagar la bomba durante el invierno en los climas fríos (32º F [0º C] o menos). Retire la bomba y el ensamble del juego de

descarga de la bomba (incluyendo la válvula de retención). Retire la malla y los cepillos biológicos y deje la compuerta abierta con el estanque a su nivel normal. En caso de que se pueda predeterminar si el estanque sufrirá un fuerte congelamiento, se recomienda retirar la compuerta. Para retirar la compuerta, simplemente presione el pasador de bisagra hacia adentro hasta que se libere la compuerta. Almacene la compuerta hasta que haya pasado la temporada de invierno y luego reinstálela.

Si la bomba se deja operar a temperaturas bajo cero, la válvula de compuerta del drenaje inferior se debe cerrar para evitar mezclar el agua tibia del fondo con el agua fría de la superficie. Los peces se vuelven inactivos durante el invierno y si se abre el drenaje inferior se les interrumpe su capacidad de tornarse menos activos. En la primavera, no abra la válvula de compuerta del drenaje inferior hasta que el promedio de temperatura de la superficie del agua sea de 4,4º C (40º F) durante por lo menos una semana.

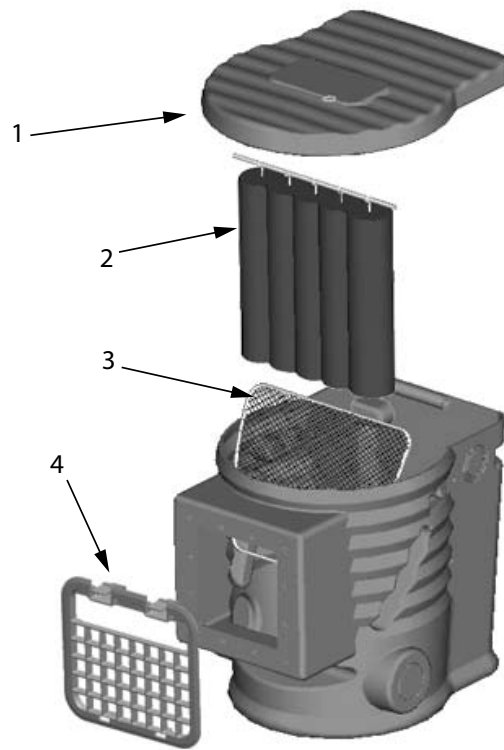


Figure 10

| Item No.<br>N° d'article<br>Nº de elemento | Description<br>Description<br>Descripción                 | Part No.<br>N° de pièce<br>Nº de pieza | SK2.5 | SK5 | SK10 |
|--|---|--|-------|-----|------|
| 1  | Lid • Couvercle • Tapa                                    | 170461                                 | 1     | --  | --   |
|  |   | 170311                                 | --    | 1   | --   |
|  |   | 170312                                 | --    | --  | 1    |
| 2  | Brush kit • Trousse de brosse • Kit de cepillo            | 14940343                               | 1     | 1   | 1    |
| 3  | Net • Filet • Malla                                       | 170465                                 | 1     | --  | --   |
|  |   | 170299                                 | --    | 1   | --   |
|  |   | 170300                                 | --    | --  | 1    |
| 4  | Fish screen • Grillage pour poissons • Rejilla para peces | 170463                                 | 1     | --  | --   |
|  |   | 170303                                 | --    | 1   | --   |
|  |   | 170304                                 | --    | --  | 1    |

## LIMITED WARRANTY

Your product is guaranteed to be in perfect condition when it leaves our Factory. It is warranted against defective materials and workmanship for a period of 12 months from date of purchase by the user.

Any product that should fail for either of the above two reasons and is still within the warranty period will be repaired or replaced at the option of Little Giant Pump Company, Inc. dba Franklin Electric Water Transfer Systems (hereafter "the Manufacturer") as the sole remedy of buyer. For our customers in the CONTINENTAL UNITED STATES: Please return the defective unit, postage paid, to the factory at 301 N. MacArthur, Oklahoma City, OK 73127-6616. All defective product returned under warranty will be fully inspected to determine the cause of failure before warranty is approved.

For our customers located elsewhere; it is not economical, due to duties and freight, to return the product to the factory for inspection. Please return the defective unit to any authorized distributor or dealer with a brief written explanation of the problem. If there are no apparent signs of customer abuse, unit will be repaired or replaced. If dispute arises over replacement of the product, the distributor or dealer is to segregate such items and hold for inspection by a representative of the Manufacturer or notify factory with details of the problem for factory disposition and settlement of warranty claim.

### DISCLAIMER:

THE FOREGOING WARRANTY IS AN EXCLUSIVE WARRANTY IN LIEU OF ANY OTHER EXPRESS WARRANTIES. ANY IMPLIED WARRANTIES (INCLUDING, BUT NOT LIMITED TO ANY IMPLIED WARRANTY OF MERCHANTABILITY OR FITNESS FOR A PARTICULAR PURPOSE) TO THE EXTENT EITHER APPLIES TO A PRODUCT SHALL BE LIMITED IN DURATION TO THE PERIODS OF THE EXPRESS WARRANTIES GIVEN ABOVE.

Warranty will be VOID if any of the following conditions are found:

1. Product is used for purposes other than those for which it was designed and manufactured.
2. Product was not installed in accordance with applicable codes, ordinances and good trade practices.
3. Product was damaged as a result of negligence, abuse, accident, misapplication, tampering, alteration, improper installation, operation, maintenance or storage, nor to an excess of recommended maximums as set forth in the product instructions.

Any oral statement(s) about the product made by the seller, the manufacturer, the representatives or any other parties, do not constitute warranties, shall not be relied upon by the user and are not part of the contract for sale. Seller's and manufacturer's only obligation, and buyer's only remedy, shall be the replacement and/or repair by the manufacturer of the product as described above. NEITHER SELLER NOR THE MANUFACTURER SHALL BE LIABLE FOR ANY INJURY, LOSS OR DAMAGE, DIRECT, INCIDENTAL OR CONSEQUENTIAL (INCLUDING, BUT NOT LIMITED TO INCIDENTAL OR CONSEQUENTIAL DAMAGES FOR LOST PROFITS, LOST SALES, INJURY TO PERSON OR PROPERTY, OR ANY OTHER INCIDENTAL OR CONSEQUENTIAL LOSS), ARISING OUT OF THE USE OR THE INABILITY TO USE THE PRODUCT AND THE USER AGREES THAT NO OTHER REMEDY SHALL BE AVAILABLE TO IT. Before using, the user shall determine the suitability of the product for the intended use, and user assumes all risk and liability whatsoever in connection therewith.

Some states and countries do not allow limitations on how long an implied warranty lasts or the exclusion or limitation of incidental or consequential damages, so the above limitations or exclusions may not apply to you. This warranty gives you specific legal rights, and you may also have other rights which vary from state to state and country to country.

The National Electric Code (in the USA) and similar codes in other countries require a Ground Fault Circuit Interrupter (GFCI) to be installed in the branch circuit supplying fountain equipment rated above 15 volts. 115 volt GFCI's (with various cord lengths) are in stock, and we recommend each product be used with a GFCI.

## GARANTIE LIMITÉE

Votre produit est garanti pour être dans la condition parfaite quand il quitte notre Usine. La produit est garantie contre tout défaut de matériau ou de fabrication pendant une période de 12 mois à partir de la date d'achat initial.

Tout produit encore garanti qui serait défectueux pour l'une des deux

raisons sus-mentionnées sera réparé ou remplacé à la discrétion du Little Giant Pump Company, Inc. faisant affaires sous la raison sociale d' Franklin Electric Water Transfer Systems (ci-après appelée « le Fabricant »). L'acheteur n'aura pas d'autre recours. Pour nos clients aux ÉTATS-UNIS (territoire continental seulement): Veuillez retourner l'article défectueux suffisamment affranchi à l'usine à l'adresse suivante: 301 N. MacArthur Blvd., Oklahoma City, OK 73127-6616. Tous les produits garantis retournés feront l'objet d'une inspection détaillée afin de déterminer si la défectuosité est couverte par la garantie.

Pour les clients à l'extérieur des États-Unis: étant donné les frais de douane et de transport, il n'est pas économique de retourner la produit à l'usine pour inspection. Expédier la produit ainsi qu'une brève description du problème à tout distributeur ou détaillant autorisé. Si elle ne présente aucun signe apparent d'une mauvaise utilisation, elle sera remplacée ou réparée. S'il y a conflit sur la nécessité de remplacer la produit, le distributeur ou le détaillant devra garder celle-ci et, soit la fera inspecter par un représentant de le Fabricant, soit avisera l'usine du problème afin de connaître la décision de celle-ci et le règlement de la réclamation.

### DÉNÉGATION :

LA GARANTIE ÉNONCÉE DANS LES PRÉSENTES EST EXCLUSIVE ET REMPLACE TOUTE AUTRE GARANTIE EXPRESSE OU IMPLICITE; CELA COMPORTE, MAIS NON EXCLUSIVEMENT, TOUTE GARANTIE IMPLICITE D'APTITUDE À LA COMMERCIALISATION OU D'APTITUDE PARTICULIÈRE, POUVANT S'APPLIQUER À UNE PRODUIT. DE PLUS, ELLE NE S'APPLIQUE QUE DURANT LA PÉRIODE DE COUVERTURE PRÉCISÉE CI-DEVANT.

La présente garantie sera ANNULÉE si:

1. Le produit est utilisé pour des applications autres que celles pour lesquelles il a été conçu et fabriqué.
2. Le produit n'est pas installé dans le respect des codes et règlements applicables et selon les bonnes pratiques acceptées dans l'industrie.
3. Le produit a été endommagé suite à une négligence, un abus, un accident, une application inappropriée, une altération, une modification, ou à une installation, une utilisation, un entretien ou un entreposage inadéquat ou encore à une utilisation au-delà des maximums recommandés, comme il est indiqué dans les instructions.

Toute déclaration sur la produit faite oralement par le vendeur, le Fabricant, le représentant ou par toute autre partie ne constitue pas une garantie et, par conséquent, ne peut servir à l'utilisateur. De plus, une telle déclaration ne peut, en aucun cas, faire partie du contrat de vente. L'unique obligation du vendeur et du Fabricant, et l'unique recours de l'acheteur, est le remplacement ou la réparation de la produit selon les modalités décrites précédemment. NI LE VENDEUR NI LE FABRICANT NE PEUVENT ÊTRE TENUS RESPONSABLES DE TOUTE BLESSURE, TOUTE PERTE, OU TOUT DOMMAGE DIRECT, INDIRECT OU ACCESSOIRE (INCLUANT, MAIS NON EXCLUSIVEMENT, LES VENTES OU PROFITS PERDUS, LES ATTEINTES AUX PERSONNES OU À LA PROPRIÉTÉ OU TOUTE AUTRE PERTE INDIRECTE OU ACCESSOIRE) RÉSULTANT DE L'UTILISATION OU DE L'INCAPACITÉ D'UTILISATION DE LA PRODUIT, ET L'ACHETEUR CONVIENT QU'IL NE DISPOSE D'AUCUN AUTRE RECOURS. L'acheteur doit s'assurer que la produit convient à l'usage projeté; il assume aussi tout risque et toute responsabilité relativement à cet usage.

Certaines juridictions ne permettent pas la limitation de la durée d'une garantie ou l'exclusion ou la limitation de responsabilité pour des dommages indirects ou accessoires. Par conséquent, il est possible que la limitation ou l'exclusion indiquée précédemment puisse ne pas être applicable. Cette garantie vous donne des droits particuliers et peut-être d'autres, dépendamment des juridictions en vigueur.

Le code national de l'électricité et autres codes semblables d'autres pays exigent l'installation d'un interrupteur avec mise à la terre (GFI) sur le circuit d'alimentation de la fontaine pour toute installation dont la tension est supérieure à 15 volts. Nous offrons de tels interrupteurs (avec différentes longueurs de fil) et nous recommandons que chaque produit soit reliée à un interrupteur de ce type.

## GARANTIA LIMITADA

El producto está garantizado a estar en perfectas condiciones al momento de salir de la fábrica. El producto está garantizado contra materiales y fabricación defectuosa por un período de 12 meses desde la fecha en la cual fue comprada por el usuario.

Cualquier producto que falle por alguna de las dos razones anteriores y que esté dentro del período de garantía será reparado o reemplazado a opción de Little Giant Pump Company, Inc. comerciar bajo el nombre de Franklin Electric Water Transfer Systems (de ahora en adelante "el Fabricante") y éste será el único remedio del comprador. Para nuestros clientes en los ESTADOS UNIDOS CONTINENTALES: Por favor, devolver la unidad defectuosa, con el porte pagado, a la fábrica en P. O. Box 12010, Oklahoma City, OK 73127-6616. Todo producto defectuoso devuelto bajo la garantía será cuidadosamente inspeccionado para determinar la causa de la falla antes de aprobar la garantía.

Para nuestros clientes ubicados en otros lugares; no es económico devolver la producto a la fábrica para que ésta sea inspeccionada, debido a los impuestos y al flete. Por favor, devuelva la unidad defectuosa a cualquier distribuidor o vendedor autorizado con una breve explicación por escrito del problema. Si no existen señas aparentes de abuso por parte del cliente, la unidad será reemplazada o reparada. Si se produce una disputa sobre el reemplazo de la producto, el distribuidor o vendedor debe separar los artículos y retenerlos para que sean inspeccionados por un representante de el Fabricante o avisarle a la fábrica de los detalles del problema para que la fábrica disponga de las acciones necesarias y resuelva el reclamo de la garantía.

#### DESAUTORIZACION:

LA GARANTIA ANTERIOR ES UNA GARANTIA EXCLUSIVA EN LUGAR DE CUALQUIER OTRA GARANTIA EXPRESA. CUALQUIER GARANTIA IMPLICADA (INCLUYENDO PERO NO LIMITADO A CUALQUIER GARANTIA IMPLICADA DE COMERCIALIZACION O APTITUD PARA PROPOSITO PARTICULAR) EN LA MEDIDA EN QUE SE PUEDA APLICAR A UNA PRODUCTO, QUEDARA LIMITADA EN DURACION A LOS PERIODOS DE GARANTIAS PROPORCIONADOS ANTERIORMENTE.

La garantía será declarada nula si se encuentran cualesquiera de las siguientes condiciones:

1. El producto se utiliza para propósitos distintos a aquellos para los cuales fue diseñado y fabricado.
2. El producto no fue instalado de conformidad con las normas, reglamentos y prácticas comerciales aceptadas.

3. El producto que resulte averiado como resultado de negligencia, maltrato, accidente, uso erróneo, manipulación no autorizada, alteración, instalación, funcionamiento, mantenimiento o almacenamiento indebido, o a un exceso de los máximos recomendados según se estipula en las instrucciones del producto.

Cualquier declaración oral acerca del producto hecha por el vendedor, Fabricante, representantes o cualquiera de las partes, no constituyen garantías, el usuario no debe confiarse de ellas, y no forman parte del contrato de compra-venta. La única obligación del vendedor y del Fabricante y el único remedio para el comprador, será la reposición y/o reparación del producto por parte del Fabricante bajo las condiciones descritas anteriormente. NI EL VENDEDOR NI EL FABRICANTE SE HACEN RESPONSABLES DE NINGUNA LESION, PERDIDA O DAÑO, DIRECTO, INCIDENTAL O CONSECUENTE (INCLUYENDO, PERO SIN LIMITARSE A, DAÑOS INCIDENTALES O CONSECUENTES DEBIDO A GANANCIAS PERDIDAS, VENTAS PERDIDAS, DAÑOS A PERSONAS O PROPIEDADES O CUALQUIER OTRA PÉRDIDA INCIDENTAL O CONSECUENTE), QUE RESULTE DEL USO O DE LA IMPOSIBILIDAD DEL USO DEL PRODUCTO, Y EL COMPRADOR ACUERDA QUE NO EXISTE OTRO REMEDIO DISPONIBLE PARA EL. Antes de usar, el usuario debe determinar si el producto se adapta al uso deseado, y el usuario asume todos los riesgos y responsabilidades en relación a ello.

Algunos estados y países no permiten limitaciones sobre la duración de una garantía implícita o la exclusión o limitación de daños incidentales o consecuentes, de manera que las limitaciones o exclusiones anteriores podrían no tener aplicación en su caso. Esta garantía le da derechos legales específicos, y usted podría disponer también de otros derechos que varían de un estado a otro y de un país a otro.

El Código Eléctrico Nacional (en los Estados Unidos) y códigos similares en otros países requieren un Interruptor de circuito de falla de conexión a tierra (GFCI) para ser instalado en el circuito secundario que suministra equipo de fuente calibrado por encima de 15 voltios. En el almacén se encuentran GFCI de 115 voltios (con varias longitudes de cable), y recomendamos que cada producto sea usada con un GFCI.

---

**For parts, repair, or technical  
assistance please contact .....1-888-956-0000**

**Pour des parties, la réparation, ou l'aide  
technique entrez s'il vous plaît en contact .....1-888-956-0000**

**Para partes, la reparación, o la ayuda  
técnica por favor póngase en contacto .....1-888-956-0000**

**[www.LittleGiantLandscapeProducts.com](http://www.LittleGiantLandscapeProducts.com)  
[CustomerService-WTS@fele.com](mailto:CustomerService-WTS@fele.com)**

---