

Franklin Electric Co., Inc.
 P. O. Box 12010
 Oklahoma City, OK 73157-2010
 405.947.2511 • Fax: 405.947.8720
 www.LittleGiantPump.com
 CustomerService-WTS@fele.com

SIMPLEX BASIN KITS WITH PUMPS

PART NO.	MODEL NO.	PUMP NO.	BASIN/COVER ASSY. NO.	CHECK VALVE NO.
509029	9S-SMPX	509500	513122	940023
509030	9S-SMPX	509500	513120	940023
509041	9E-SMPX (NO HUB HOLE)	509300	513100	940021
509042	9S-SMPX	509500	513100	940022
509044	9S-SMPX	509500	513101	940022
509045	9S-SMPX	509500	513103	940022
509046	9S-SMPX	509500	513102	940022
509047	9S-SMPX	509500	513104	940022
509048	9S-SMPX	509500	513123	940023
511042	10S-SMPX	511500	513100	940022
511044	10S-SMPX	511500	513101	940022
511045	10S-SMPX	511500	513103	940022
511046	10S-SMPX	511500	513102	940022
511047	10S-SMPX	511500	513104	940022
511048	10S-SMPX	511500	513123	940023
511050	10S-SMPX	511500	513122	940023
511051	10S-SMPX	511500	513120	940023
511052	10S-SMPX	511450	513123	940023
511053	10S-SMPX	511450	513121	940023

BASIN/COVER ASSEMBLIES

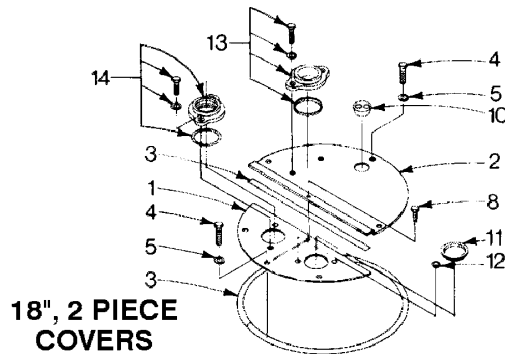
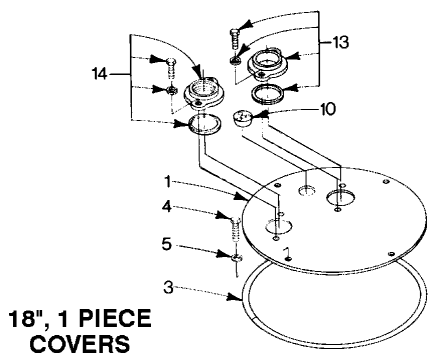
PART NO.	MODEL NO.	BASIN NO.	COVER NO.
513100	BS1830CS2VSD (NO HUB HOLE)	113030	113045
513119	BS1830CS2VSD (1 PIECE COVER)	113032	113047
513101	BS1830CS2VSD	113032	113045
513102	BS1830CS3VSD	113032	113046
513122	BS1830CS2V3D	113032	113048
513123	BS1830CS3V3D	113032	113049
513103	BB1830CS2V2D	113033	113045
513104	BB1830CS3V2D	113033	113046
513120	BB1830CS2V3D	113033	113048
513121	BB2436CS2V2D	113033	113049
513105	BB2436CS3V2D	113034	113114
513106	BB2436CS3V2D	113034	113115
513107	BB2436CS2V3D	113034	113116
513108	BB2436CS3V3D	113034	113117
513109	BB3036CS2V2D	113050	113118
513110	BB3036CS3V2D	113050	113100
513111	BB3036CS2V3D	113050	113119
513112	BB3036CS3V3D	113050	113101
513113	BB3036CD2V2D	113050	113120
513114	BB3036CD3V2D	113050	113102
513115	BB3036CD2V3D	113050	113121
513116	BB3036CD3V3D	113050	113103
513117	BB3636CD3V2D	113051	113104
513118	BB3636CS3V3D	113051	113105
513125	BB3636CD2V2D	113051	113107
513126	BB2626CD2V3D	113051	113108
513129	BB2436CD2V2D	113034	113099

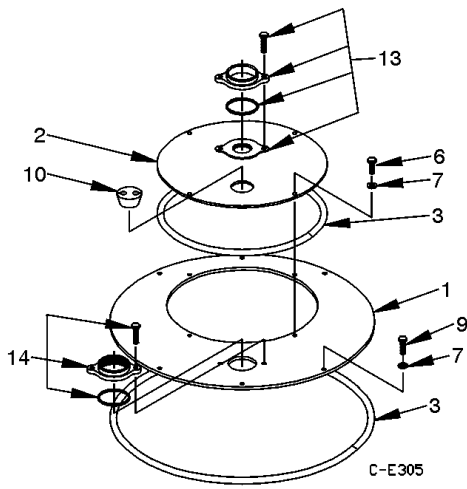
BASIN/COVER ASSEMBLIES continued

PART NO.	MODEL NO.	BASIN NO.	COVER NO.
513130	BB2436CD3V2D	113034	113098
513135	BB4848CD3V3D	113060	113110
14940739	BB2436CD2V3D	113034	14940738

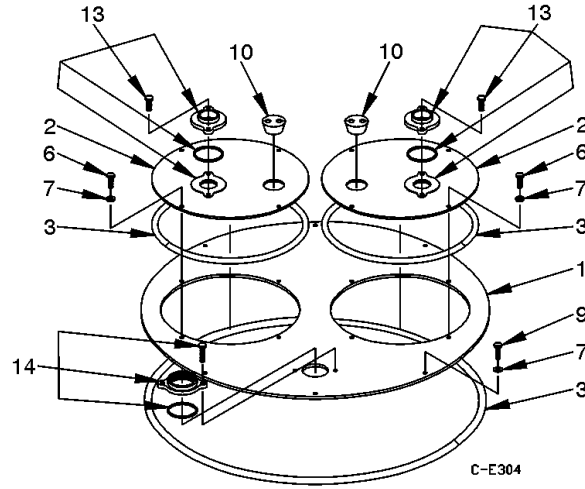
DUPLIX BASIN KITS WITH PUMPS AND CONTROL PANEL

CATALOG NO.	MODEL NO.	PUMP MODEL (2)	BASIN SIZE	DISCHARGE	VENT	BASIN/COVER ASSY.	CHECK VALVE (2)	CONTROL PANEL
14940697	9S-DPLX	9S-CIM, 115V, 509400	24" x 36"	2"	2"	513129	940022	513258
14940698	9S-DPLX	9S-CIM, 230V, 509450	24" x 36"	2"	2"	513129	940022	513258
14940728	9S-DPLX	9S-CIM, 115V, 14940723	24" x 36"	3"	2"	14940739	940023	513258
14940729	9S-DPLX	9S-CIM, 115V, 14940724	24" x 36"	3"	2"	14940739	940023	513258
14940699	10S-DPLX	10S-CIM,115V,511400	24" x 36"	2"	2"	513129	940022	513258
14940700	10S-DPLX	10S-CIM,230V,511475	24" x 36"	2"	2"	513129	940022	513258
14940701	10S-DPLX	10S-CIM,115V,511450	24" x 36"	3"	2"	14940739	940023	513258
14940730	10S-DPLX	10S-CIM,230V,14940725	24" x 36"	3"	2"	14940739	940023	513258
14940702	9S-DPLX	9S-CIM,115V,509400	30" x 36"	2"	2"	513148	940022	513258
14940703	9S-DPLX	9S-CIM,230V,509450	30" x 36"	2"	2"	513148	940022	513258
14940731	9S-DPLX	9S-CIM,115V,14940723	30" x 36"	3"	3"	513151	940023	513258
14940732	9S-DPLX	9S-CIM,230V,14940724	30" x 36"	3"	3"	513151	940023	513258
14940704	10S-DPLX	10S-CIM,115V,511400	30" x 36"	2"	2"	513148	940022	513258
14940705	10S-DPLX	10S-CIM,230V,511475	30" x 36"	2"	2"	513148	940022	513258
14940706	10S-DPLX	10S-CIM,115V,511450	30" x 36"	3"	3"	513151	940023	513258
14940733	10S-DPLX	10S-CIM,230V,14940725	30" x 36"	3"	3"	513151	940023	513258
14940707	14S-DPLX	14S-CIM,115V,514320	30" x 36"	2"	2"	513148	940022	513258
14940708	14S-DPLX	14S-CIM,230V,514321	30" x 36"	2"	2"	513148	940022	513258
14940709	14S-DPLX	14S-CIM,115V,514420	30" x 36"	3"	3"	513151	940023	513258
14940710	14S-DPLX	14S-CIM,230V,14940726	30" x 36"	3"	3"	513151	940023	513258
14940711	16S-DPLX	16S-CIM,230V,514620	30" x 36"	3"	3"	513151	940023	513258
14940712	20S-DPLX	20S-CIM,230V,520100	30" x 36"	3"	3"	513151	940023	513258
14940713	9S-DPLX	9S-CIM,115V,509400	36" x 36"	2"	2"	513125	940022	513258
14940714	9S-DPLX	9S-CIM,230V,509450	36" x 36"	2"	2"	513125	940022	513258
14940734	9S-DPLX	9S-CIM,115V,14940723	36" x 36"	3"	3"	513118	940023	513258
14940735	9S-DPLX	9S-CIM,230V,14940724	36" x 36"	3"	3"	513118	940023	513258
14940715	10S-DPLX	10S-CIM,115V,511400	36" x 36"	2"	2"	513125	940022	513258
14940716	10S-DPLX	10S-CIM,230V,511475	36" x 36"	2"	2"	513125	940022	513258
14940717	10S-DPLX	10S-CIM,115V,511450	36" x 36"	3"	3"	513118	940023	513258
14940736	10S-DPLX	10S-CIM,230V,14940725	36" x 36"	3"	3"	513118	940023	513258
14940718	14S-DPLX	14S-CIM,115V,514320	36" x 36"	2"	2"	513125	940022	513258
14940719	14S-DPLX	14S-CIM,230V,514321	36" x 36"	2"	2"	513125	940022	513258
14940720	14S-DPLX	14S-CIM,115V,514420	36" x 36"	3"	3"	513118	940023	513258
14940737	14S-DPLX	14S-CIM,230V,14940726	36" x 36"	3"	3"	513118	940023	513258
14940721	16S-DPLX	16S-CIM,230V,514620	36" x 36"	3"	3"	513118	940023	513258
14940722	20S-DPLX	20S-CIM,230V,520100	36" x 36"	3"	3"	513118	940023	513258





24" & 30" SIMPLEX COVERS

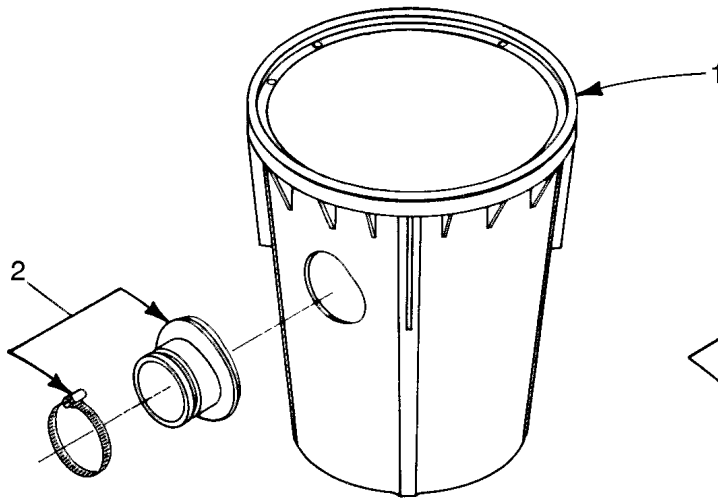


24", 30" & 36" DUPLEX COVERS

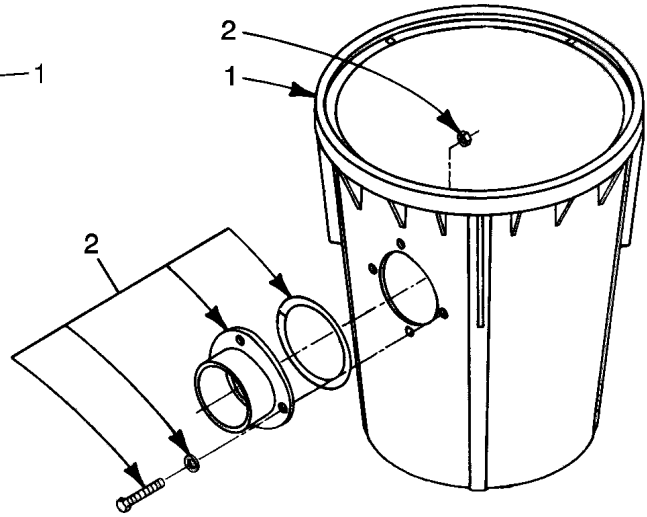
COVER PARTS

ITEM NO.	PART NO.	DESCRIPTION	113045 18S2V2D	113046 18S3V2D	113048 18S2V3D	113049 18S3V3D	113047 18S2V2D-NA	113114 24S2V2D	113115 24S3V2D	113116 24S2V3D	113117 24S3V3D	113098 24D3V2D	113099 24D2V2D	14940738 24CD2V3D	113118 30S3V2D	113100 30S3V2D	113119 30S3V2D	113101 30S3V3D	113120 30D2V2D	113102 30D3V2D	113121 30D2V3D	113103 30D3V3D	113104 36D3V2D	113105 36D3V3D	113107 36D2V2D	113108 36D2V3D	113110 48D3V3D	
1	113300	Cover Stationary (1 Piece)					1																					
1	113301	Cover Stationary	1	1	1	1																						
1	113302	Cover Stationary						1	1	1	1																	
1	113303	Cover Stationary														1	1	1	1									
1	113304	Cover Stationary																	1	1	1	1						
1	113305	Cover Stationary																						1	1	1	1	
1	113323	Cover, Stationary Oval Access											1															
1	113324	Cover, Stationary Oval Access										1																
1	113328	Cover, Stationary																										1
2	113129	Cover, Access																										2
2	113306	Cover, Access	1	1	1	1																						
2	113307	Cover, Access						1	1	1	1																	
2	113308	Cover, Access										2	2						2	2	2	2						
2	113325	Cover, Oval Access																										
3	*	Tape, Gasket, 1" Foam	82	82	82	82	62	134	134	134	134	90	90	90	157	157	157	157	199	199	199	199	229	229	229	229	289	
4	915509	Bolt, Hex 3/8"-20 x 3/4"	6	6	6	6	4																					
5	921102	Washer, Plain 1/4"	6	6	6	6	4																					
6	915510	Bolt, Hex 3/8"-16 x 3/4"						4	4	4	4	8	8	8	4	4	4	4	8	8	8	8	8	8	8	8	8	12
7	921100	Washer, Plain 3/8"						10	10	10	10	10	14	14	10	10	10	10	14	14	14	14	14	14	14	14	14	18
8	902515	Screw, Tapping #10-16x3/8"	1	1	1	1																						
9	915511	Bolt, Hex 3/8"-16 x 1"						6	6	6	6	6	6	6	6	6	6	6	6	6	6	6	6	6	6	6	6	6
10	925014	Grommet, Electric Cord #11	1	1	1	1	1																					
10	925011	Grommet, Electric Cord #13						1	1	1	1	2	2	2	1	1	1	1	2	2	2	2	2	2	2	2	2	2
11	925012	Plug, Hole, 2 1/2" Dia. PP	1	1	1	1																						
12	925013	Plug, Hole, 3/8" Dia. PP	2	2	2	2																						
13	113200	2" Discharge Kit, Nylon	1	1			1	1	1			2			1	1			2	2			2		2			
13	113208	3" Discharge Kit, Nylon			1	1				1	1		2	2			1	1			2	2		2		2	2	
14	113201	2" Vent Kit, Nylon	1		1		1	1		1			1	1		1		1		1						1	1	
14	113202	3" Vent Kit, Nylon		1		1			1		1	1				1		1	1	1			1	1	1		1	
15	113148	Cover, Float Switch Base																										1

*Commercially Available



BS MODEL BASINS



BB MODEL BASINS

BASIN PARTS

ITEM NO.	PART NO.	DESCRIPTION	113030 BS1830	113032 BS1830	113033 BB1830	113034 BB2436	113160 BB3036	113051 BB3636	113060 BB4848
1	113400	Basin, Structural Foam, No/Hole	1						
1	113401	Basin, Structural Foam, Vinyl Hub		1					
1	113402	Basin, Structural Foam, Cast Iron Hub			1				
1	113403	Basin, Structural Foam, 2436				1			
1	113159	Basin, Structural Foam, 3036					1		
1	113405	Basin, Fiberglass, 3636						1	
1	113414	Basin, Fiberglass, 4848, w/o Hub Hole							1
2	113072	Hub Kit, Vinyl	1	1					
2	113073	Hub Kit, Cast Iron, 18"			1				
2	113074	Hub Kit, Cast Iron, 24"				1			
2	113075	Hub Kit, Cast Iron, 30"					1		
2	113076	Hub Kit, Cast Iron, 36"						1	
2	113082	Hub Kit, Cast Iron, 48"							1