

Little GIANT[®]

Pump Company

TE-6-MD-CK



Features

Thermally Protected, Totally Enclosed, Fan Cooled, Split Phase Motor

Ball Bearings

Conduit Box (must be field wired — cord not included)

Specific Gravity to 1.1

Fluid Temperature to 200 Degrees F.

Ambient Air Temperature to 77 Degrees F.

NOTE: Consult your local distributor or the factory for applications with higher ambient temperatures, specific gravities and viscosities.

Construction

Volute — Carbon-filled Kynar[®]

Backplate — Carbon-filled Kynar[®]

Impeller — Carbon-filled Kynar[®] w/Carbon-filled Teflon (Chemloy) Bushing, (Mica-filled Teflon Bushing on 586610 & 586688)

Shaft — Ceramic

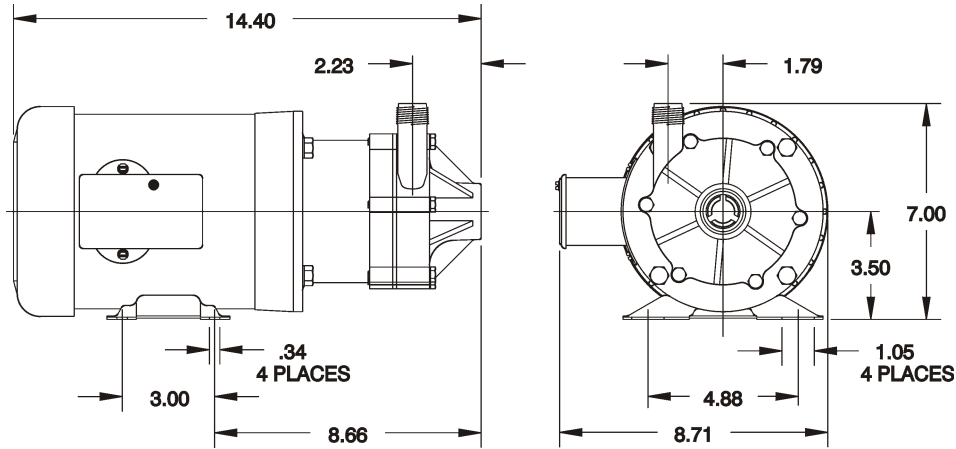
Thrust Washers — Ceramic

O-Ring — Viton[®]

The Little Giant MD-CK series features leakproof, seal-less magnetic drives and are designed for in-line, non-submersible use. Volute, magnet housing and impeller are carbon-filled Kynar[®] for excellent chemical resistance. Ceramic shaft and thrust washers are 99.5% pure alumina for excellent wear and trouble-free service. Pumping heads are easily rotated, cleaned or serviced. Spindle shaft is supported at both ends to prevent impeller damage during start-up and stop of pump.

Little Giant Pump Co.

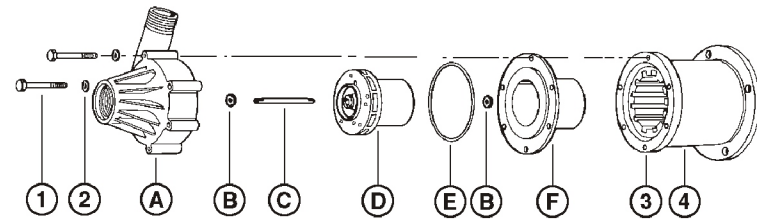
TE-6-MD-CK



NOTE: Designs and dimensions may vary for various reasons (i.e. type of motor). This information should be used as general guide rather than an unqualified guarantee. Specifications are subject to change without prior notice.

Specifications

Model No.	Item No.	Intake	Discharge	Listing(s)	HP	Volts	Hertz	Amps	Watts	Performance (GPM @ Head)					Shut Off		Pwr. Cord (ft)	Weight (Lbs.)
										5'	10'	20'	30'	40'	Feet	PSI		
TE-6-MD-CK	586600	1" FNPT	3/4" MNPT	UR/C-CSA	1/2	115	60	9.4	835	35	33.7	30	24.6	17.5	49.1	21.3	N/A	30.00
TE-6-MD-CK	586610	1" FNPT	3/4" MNPT	UR/C-CSA	1/2	115	60	9.4	835	35	33.7	30	24.6	17.5	49.1	21.3	N/A	30.00
TE-6-MD-CK	586678	1" FNPT	3/4" MNPT															7.00
TE-6-MD-CK	586688	1" FNPT	3/4" MNPT															7.00



Replacement Parts

ITEM	PART NO.	DESCRIPTION
A	186115	Volute
B	187085	Thrust Washer
C	185100	Shaft
D	186158	Impeller w/Chemloy Bushing
D	186160	Impeller w/Mica-filled Teflon Bushing for 586610 & 586688
E	924016	O-Ring
F	186181	Backplate
1	903712	Bolt
2	921050	Washer
3	185172	Drive Magnet
4	185162	Magnet Housing

Note: Parts A-F Contact Fluid.

