

Little GIANT

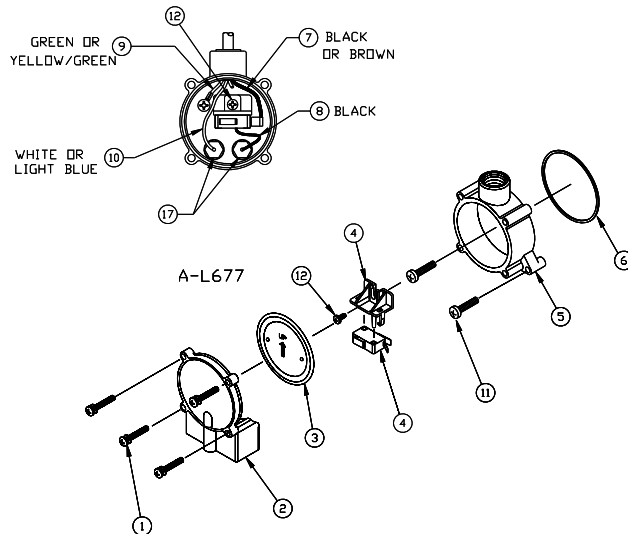
Franklin Electric Co., Inc.
 P. O. Box 12010
 Oklahoma City, OK 73157-2010
 405.947.2511 • Fax: 405.947.8720
 www.LittleGiantPump.com
 CustomerService-WTS@fele.com

INSTALLATION INSTRUCTIONS FOR SWITCH REPAIR KIT **SPRK-2** (BIG JOHN AUTOMATIC PUMPS)

WARNING: DISCONNECT PUMP FROM POWER

1. Remove four screws (1) from front of switch housing (2).
2. Remove diaphragm (3).
3. Disconnect two wires (8 and 10) from pump housing.
4. Remove screw connecting ground wire (9) to pump housing.
5. Remove switch housing (5) from pump.
6. Remove O-ring (6).
7. Remove screw (12). Remove switch/bracket assembly (4) from switch housing (5).
8. Disconnect wires (7) from switch. Remove switch from switch housing.
9. Attach new switch to new bracket (4). Attach wires (7) to switch. Screw switch/bracket assembly to new switch housing (5) with screw (12).
10. Insert new O-ring (6) into groove on back of new switch housing (5) and place against pump. Attach ground wire (9) to pump housing.
11. Attach wires (10) and (8) to their respective pins on pump (17). Check to be sure that wires are pushed down next to pump to prevent interference with operation of diaphragm.
12. Place new diaphragm (3) over switch housing (5) with metal facing toward pump housing.
13. Place switch housing cover (2) over diaphragm and screw into place using four screws (1). **DO NOT OVER-TIGHTEN.**
14. Resume operation.

WIRING DIAGRAM



For parts or repair, please contact. 1.888.572.9933
 For technical assistance, please contact. 1.888.956.0000

www.LittleGiantPump.com
 CustomerService-WTS@fele.com

Little GIANT

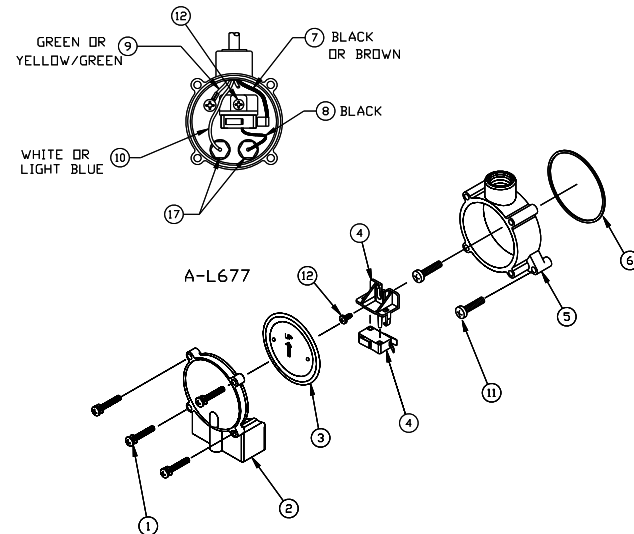
Franklin Electric Co., Inc.
 P. O. Box 12010
 Oklahoma City, OK 73157-2010
 405.947.2511 • Fax: 405.947.8720
 www.LittleGiantPump.com
 CustomerService-WTS@fele.com

INSTALLATION INSTRUCTIONS FOR SWITCH REPAIR KIT **SPRK-2** (BIG JOHN AUTOMATIC PUMPS)

WARNING: DISCONNECT PUMP FROM POWER

1. Remove four screws (1) from front of switch housing (2).
2. Remove diaphragm (3).
3. Disconnect two wires (8 and 10) from pump housing.
4. Remove screw connecting ground wire (9) to pump housing.
5. Remove switch housing (5) from pump.
6. Remove O-ring (6).
7. Remove screw (12). Remove switch/bracket assembly (4) from switch housing (5).
8. Disconnect wires (7) from switch. Remove switch from switch housing.
9. Attach new switch to new bracket (4). Attach wires (7) to switch. Screw switch/bracket assembly to new switch housing (5) with screw (12).
10. Insert new O-ring (6) into groove on back of new switch housing (5) and place against pump. Attach ground wire (9) to pump housing.
11. Attach wires (10) and (8) to their respective pins on pump (17). Check to be sure that wires are pushed down next to pump to prevent interference with operation of diaphragm.
12. Place new diaphragm (3) over switch housing (5) with metal facing toward pump housing.
13. Place switch housing cover (2) over diaphragm and screw into place using four screws (1). **DO NOT OVER-TIGHTEN.**
14. Resume operation.

WIRING DIAGRAM



For parts or repair, please contact. 1.888.572.9933
 For technical assistance, please contact. 1.888.956.0000

www.LittleGiantPump.com
 CustomerService-WTS@fele.com