

Wastewater

High Head Filtered Effluent Pumps



Applications:

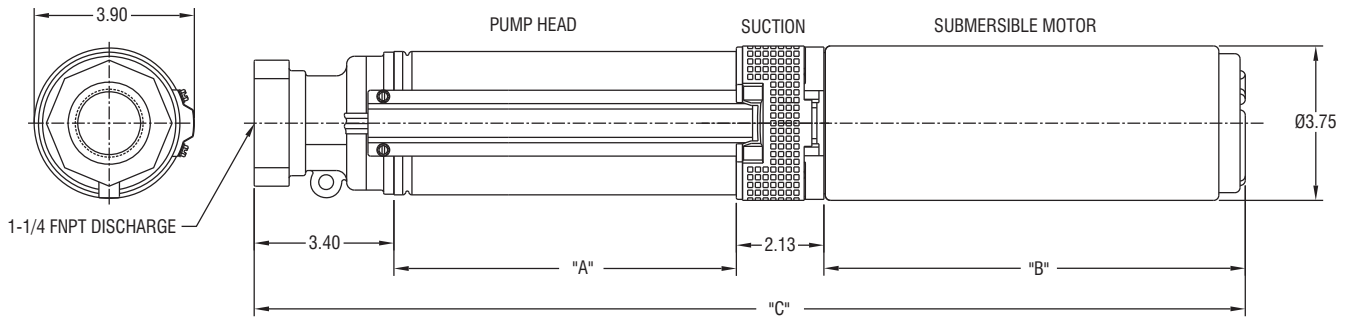
- Filtered effluent service
- Aeration
- Ornamental fountains/waterfalls

Features

- Ideal for filtered effluent pumping
- Thermoplastic discharge and motor brackets are tough and non-corrosive
- Heavy duty, 300 volt, 10' SJOW Jacketed cord with stripped leads
- 1-1/4" FNPT discharge
- High quality top bearing for maximum durability and years of reliable service
- Proven Noryl® staging allows close tolerances and increased performance
- Stainless steel up thrust washer prevents excessive wear in services applications
- Removable built-in check valve
- Powered by Franklin Electric super stainless submersible motor
- Built-in lightning protection

Noryl® is a registered trademark of G.E. Plastics.

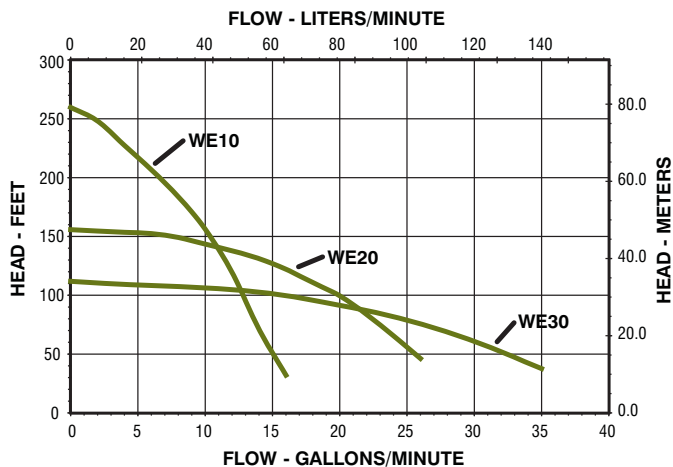
Dimensional Outline



Item No.	Dimension A	Dimension B	Dimension C
558221	7.00	9.38	21.91
558222	7.00	9.38	21.91
558223	9.00	9.38	23.91
558224	9.00	9.38	23.91
558225	6.50	9.38	21.41
558226	6.50	9.38	21.41

Specifications

Model No.	Item No.	HP	Volts/Hz	Discharge (dia. in.)	Performance (GPM@Head)					Wire	Cord
					50'	100'	150'	200'	250'		
WE10G05P4-21	558221	1/2	115/60	1-1/4	15	13	10	7	2	2 Wire	SJOW/300V/10' Stripped Leads
WE10G05P4-22	558222	1/2	230/60	1-1/4	15	13	10	7	2	2 Wire	SJOW/300V/10' Stripped Leads
WE20G05P4-21	558223	1/2	115/60	1-1/4	26	20	8	—	—	2 Wire	SJOW/300V/10' Stripped Leads
WE20G05P4-22	558224	1/2	230/60	1-1/4	26	20	8	—	—	2 Wire	SJOW/300V/10' Stripped Leads
WE30G05P4-21	558225	1/2	115/60	1-1/4	32	14	—	—	—	2 Wire	SJOW/300V/10' Stripped Leads
WE30G05P4-22	558226	1/2	230/60	1-1/4	32	14	—	—	—	2 Wire	SJOW/300V/10' Stripped Leads



Construction

Motor housing	Stainless Steel
Impeller material	Celcon
Diffuser	Glass Filled PPO (Noryl®)
Power cord	10' SJOW
Check Valve	Celcon
Fasteners	Stainless steel
Shaft	Stainless steel
Bearings	PEEK
Discharge	Glass Filled Polypropylene



P.O. Box 12010
 Oklahoma City, OK 73157-2010
 Phone: 1.800.701.7894
 Fax: 1.800.678.7867
 www.LittleGiantPump.com