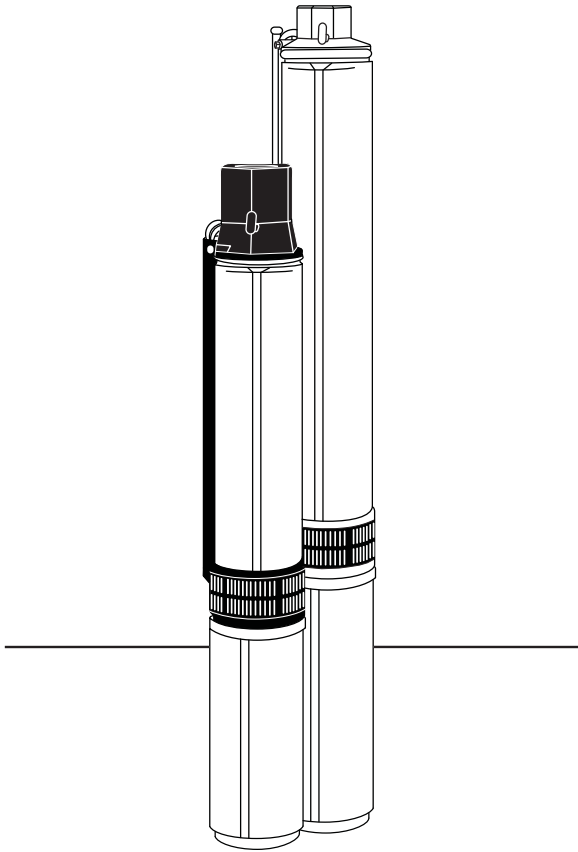


LittleGIANT®

Franklin Electric Co., Inc.
P. O. Box 12010
Oklahoma City, OK 73157-2010
405.947.2511 • Fax: 405.947.8720
www.LittleGiantPump.com
CustomerService-WTS@fele.com

4" SUBMERSIBLE PUMP OWNER'S MANUAL



BEFORE INSTALLING PUMP, BE SURE TO READ THIS OWNER'S MANUAL CAREFULLY.

CAUTION Fill the pump with water before starting or the pump will be damaged. The motor on this pump is guaranteed by the manufacturer, and in the event of failure it must be returned to an authorized service station for repairs. The motor warranty is void if repairs are not made by an authorized repair station.

INSPECT THE SHIPMENT

Examine the pump when it is received to be sure there has been no damage in shipping. Should any be evident, report it immediately to the dealer from whom the pump was purchased. Please check the pump package to see that it includes pump, motor, and motor leads (if your pump purchase includes a motor).

This pump includes either a built-in or externally-mounted check valve with the discharge head. Make certain that your available voltage corresponds to that of your motor.

READ AND FOLLOW SAFETY INSTRUCTIONS

! This is the safety alert symbol. When you see this symbol on your pump or in this manual, look for one of the following signal words and be alert to the potential for personal injury:

DANGER warns about hazards that **will** cause serious personal injury, death, or major property damage if ignored.

WARNING warns about hazards that **can** cause serious personal injury, death, or major property damage if ignored.

CAUTION warns about hazards that **will** or **can** cause minor personal injury or major property damage if ignored.

The label **NOTICE** indicates special instructions, which are important but not related to hazards.

Carefully read and follow all safety instructions in this manual and on pump.

Keep safety labels in good condition.

Replace missing or damaged safety labels.

! WARNING



Hazardous voltage. Can shock, burn, or cause death.

Ground pump before connecting to power supply. Disconnect power before working on pump, motor or tank.

! **Wire motor for correct voltage. See Electrical Information section of this manual and motor nameplate.**

! Ground motor before connecting to power supply.

! Meet National Electrical Code, Canadian Electrical Code, and local codes for all wiring.

! Follow wiring instructions in this manual when connecting motor to power lines.

ATTENTION!

IMPORTANT INFORMATION FOR INSTALLERS OF THIS EQUIPMENT!

THIS EQUIPMENT IS INTENDED FOR INSTALLATION BY TECHNICALLY-QUALIFIED PERSONNEL. FAILURE TO INSTALL IT IN COMPLIANCE WITH NATIONAL AND LOCAL ELECTRICAL CODES AND WITH FRANKLIN ELECTRIC RECOMMENDATIONS MAY RESULT IN ELECTRICAL SHOCK OR FIRE HAZARD, UNSATISFACTORY PERFORMANCE, AND EQUIPMENT FAILURE. FRANKLIN ELECTRIC INSTALLATION INFORMATION IS AVAILABLE FROM PUMP MANUFACTURERS AND DISTRIBUTORS, AND DIRECTLY FROM FRANKLIN ELECTRIC. CALL FRANKLIN ELECTRIC TOLL FREE AT 800-701-7894 FOR INFORMATION. RETAIN THIS INFORMATION SHEET WITH THE EQUIPMENT FOR FUTURE REFERENCE.

WARNING

SERIOUS OR FATAL ELECTRICAL SHOCK MAY RESULT FROM FAILURE TO CONNECT THE MOTOR, CONTROL ENCLOSURES, METAL PLUMBING, AND ALL OTHER METAL NEAR THE MOTOR OR CABLE TO THE POWER SUPPLY GROUND TERMINAL USING WIRE NO SMALLER THAN MOTOR CABLE WIRES. TO REDUCE RISK OF ELECTRICAL SHOCK, DISCONNECT POWER BEFORE WORKING ON OR AROUND THE WATER SYSTEM. DO NOT USE MOTOR IN SWIMMING AREAS.

INSTALLATION RECORDS

It is a good idea to keep an accurate record of your installation. Be sure to record the data below:

Purchased from:			
Date of installation:			
Pump model*:			
Pump date code*:			
Well inside diameter (in/mm):			
Depth of well (ft/m):			
Depth of water (ft/m):			
Pump setting (ft/m):			
Drop pipe size:			
Wire size (pump to control box):			
Wire size (control box to power source):			
Horizontal offset (between well & house):			
Make of motor*			
Amps	HP	Volts	Phase
Make of control box			
HP		Volts	
Power supply			
Volts		HZ	
Pressure switch limits			
Cut-in (PSI)		Cut-out (PSI)	

*This information is on your pump or motor tag. It will help us identify your pump in case of later inquiries.

TEST RUNNING

If test running pump before installation:

1. Ensure that the power supply corresponds with that shown on the nameplate of the motor and control box (if required).
2. Install pump and components appropriate for the test as shown in Fig. 1.
3. Make sure power supply is turned off and circuit breaker or disconnect switch is open. Make electrical connections appropriate to your motor as shown in Figure 2, 3 or 4.
4. On a three-phase motor, use a magnetic starter equipped with quick-trip, ambient compensated heaters of correct size for the horsepower of the motor.

To ensure correct rotation of three-phase units, brace pump shell securely and apply power momentarily by snapping line switch quickly on and off. If rotation is correct, reaction of the shell will be clockwise when viewed from pump discharge (that is, pump shaft will rotate counter clockwise). Interchange any two leads at magnetic starter to reverse rotation.

5. Run pump and motor unit for a few seconds to ensure that it is in working order.

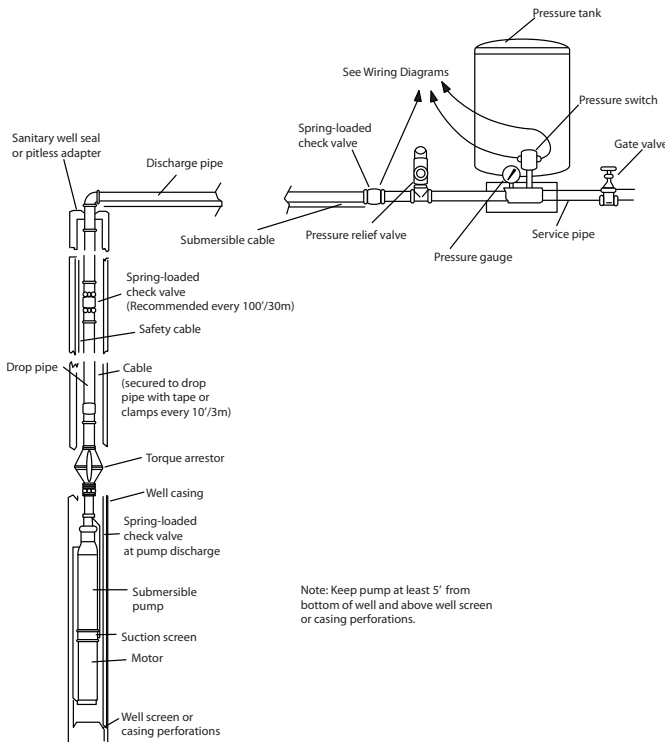


FIGURE 1
Installation Diagram

SUITABILITY OF WELL

Install the pump only in a well that has been properly developed. Water from an undeveloped well often contains an excessive amount of sand, dirt, and abrasives which can damage the pump. Check that the well is large enough to allow the pump to be set at the required depth. Do not set the pump below the casing perforations or well screen unless you make arrangements to ensure an adequate flow of water over the motor for cooling purposes. Determine the correct pump setting from the driller's record by taking into account the static water level and the drawdown at the proposed pumping rate. Keep the pump at least five feet from the bottom of a drilled well.

SPLICING THE POWER CABLE

Follow the instructions enclosed in the cable splicing kit (purchased separately).

DROP PIPE

Galvanized pipe is recommended for suspending submersible pumps into the well. Plastic pipe may be used only when observing the plastic pipe manufacturer's recommendations of depth and pressure. Give special consideration to:

1. A safety cable to prevent loss of pump if pipe should break.
2. A torque arrestor just above pump to prevent chafing the cable when pump and pipe twist during the starting and stopping cycle. (See Figure 1.)

Schedule 40 galvanized pipe is suitable for settings to 600 feet (180m). For deeper settings, use schedule 40 pipe for the bottom 600 feet (180m), and schedule 80 for the remainder.

Take great care to keep pipes clean and free from pebbles, scale, and thread chips. Make sound, air-tight connections at all fittings. Pipe sealant is recommended.

CHECK VALVES

Many pumps have a built-in or externally supplied check valve. For a pump without one, install a check valve immediately above the pump. Install an additional check valve above the ground. If the pump is more than 100 feet (30m) below the wellhead, install another check valve in the drop pipe 100 feet (30m) above it. For pump settings deeper than 200 feet (60m), install additional check valves at intervals of 100 feet (30m).

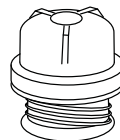
REMOVABLE POPPET CHECK VALVE

4" submersible pumps with a 1-1/4" discharge are supplied with a spring-loaded, removable poppet check valve assembly. This check valve can be removed from the pump discharge when drain back is desired.

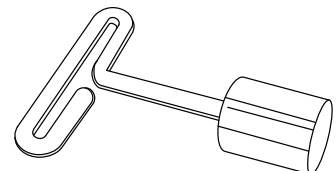
WARNING Fluid draining back through the pump can cause the pump to rotate backwards. If pump/motor starts during this time, damage to the pump can occur.

The check valve can be removed using a T-handle poppet wrench (purchased separately), or with standard needle-nosed pliers. The poppet assembly is left-hand threaded and is removed by turning clockwise.

When reinstalling a poppet check valve assembly, tighten it to 15 inch-pounds.



Poppet Assembly



T-Handle Poppet Wrench

INSTALLATION OF PUMP, DROP PIPE, AND ASSOCIATED EQUIPMENT

Figure 1 illustrates a typical well installation showing in ground components. Adhere to the following items when installing the pump and drop pipe:

1. Fasten the submersible cable to the drop pipe with clamps or appropriate tape every 10 ft. (3m) to prevent tangling and damage to the cable. The cable must remain slack when using plastic drop pipe to allow for stretching of pipe when installed in the well.
2. Take care not to scrape or pinch the submersible cable against the well casing.
3. Use an ohmmeter or megger to make insulation and continuity checks on the cable once the pump is installed. This locates any fault in the cable.
4. Make sure a check valve is installed immediately above the pump. Install additional check valves at 100' (30m) intervals.
5. Install a torque arrestor just above the pump to prevent chafing the cable when pump and pipe twist during starting and stopping.
6. Attach a safety cable to pump to prevent loss of pump if pipe should break.
7. Place a sanitary well seal or pitless adapter with an approved cover plate over top of well per manufacturers recommendations.
8. Keep pump at least 5' (1.5m) from bottom of well and above well screen or casing perforations.

ELECTRICAL INFORMATION

1. Employ a licensed electrician to perform the wiring. All wiring must be done in accordance with applicable national and local electrical codes.
2. Check that the power supply corresponds with the electrical rating of the submersible motor and the control box (if required). Make sure that the control box electrical rating matches the motor electrical rating.
3. Every installation requires a fused disconnect switch or circuit breaker.
4. Every installation must be grounded. There must be a reliable ground connection between the pump and the distribution panel. The motor lead incorporates a green grounding conductor.
5. Lightning arrestors are recommended for every installation. All stainless steel, single phase motors through 5HP have built-in lightning arrestors. 3-phase motors require a separate lightning arrestor installed as close to the wellhead as possible. Install the arrestor in accordance with manufacturer's recommendations. Lightning arrestors provide protection against only induced voltage surges on secondary power lines; they are not effective against direct hits.

6. Mount the control box in an area protected from rain, snow, direct sunlight, or other high temperatures as this may cause tripping of the overload protector. Also protect the control box from extreme cold (below 25°F/-32°C) as this may have adverse effects on the starting capacitor.
7. A two-wire pump does not require a motor control box; all electrical components are built inside the motor. Figure 2 shows a typical wiring diagram for a two-wire installation.

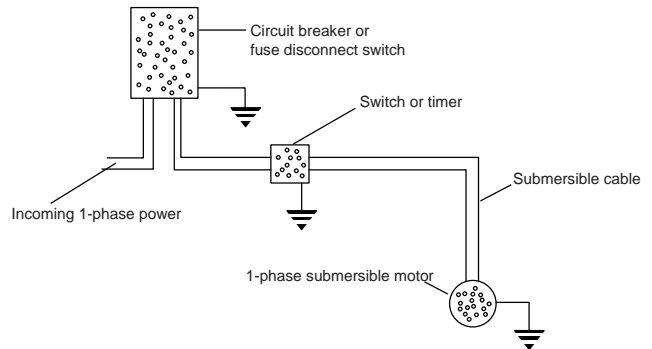


FIGURE 2
2-wire, 1-phase, 1/3 through 1-1/2 HP
Pump Wiring Diagram

8. A three-wire, 1-phase pump requires a motor control box incorporating overload relays. Figure 3 shows a typical wiring diagram for a three-wire, single-phase installation. Note that a magnetic contactor must be used if the pressure switch electrical rating is not sufficient to handle the submersible motor electrical rating. The pressure switch would then be incorporated into a pilot circuit to control the magnetic contactor. Make the connections at the control box in accordance with the wiring diagram in the control box to avoid damage to the motor.

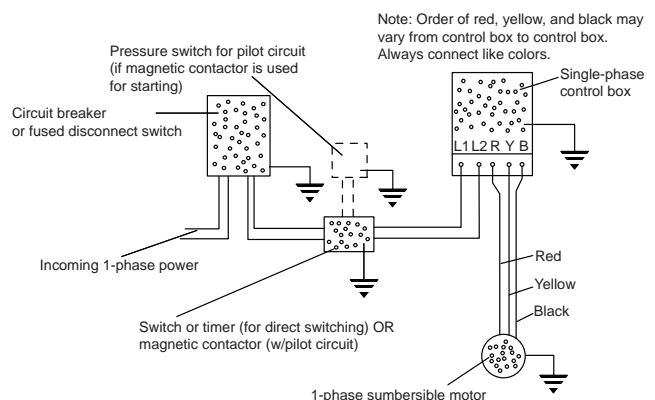


FIGURE 3
3-wire, 1-phase, 1/3 through 15 HP
Pump Wiring Diagram

9. A three-wire, three-phase pump does not require a motor control box. Figure 4 shows a typical wiring diagram for a three-wire, three-phase installation. A magnetic contractor with three-leg protection and quick-trip ambient compensated overload relays must be used.

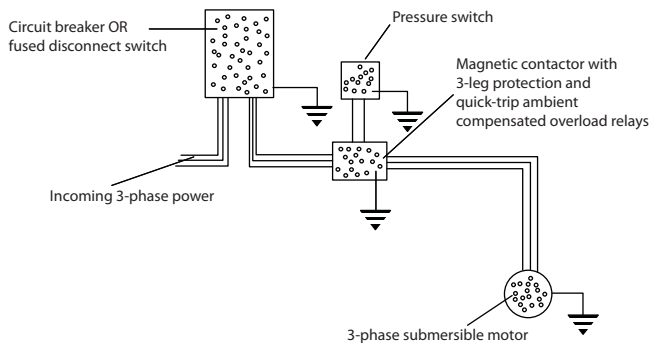


FIGURE 4
3-wire, 3-phase, 1-1/2 thru 50 HP
Pump Wiring Diagram

10. Use an ohm meter to make continuity and insulation checks after the installation is completed.
11. Place the additional pump nameplate onto the submersible label and place both onto disconnect switch or circuit breaker box for future reference.

WELL TEST

Check the pump and well performance before making the final connection to the discharge system.

1. Install a gate valve on the end of the pipe. Partially open the valve.
2. Start the pump.
3. Open the valve gradually to give full flow.
4. If the discharge is not clear, let the pump run until water clears. If water does not clear in 30 minutes, stop the pump and take the necessary steps to correct the condition. After the water appears clear, check for sand by discharging into a clean bucket or suitable container.
5. Close valve until maximum required system flow rate is obtained. This should correspond to the cut-in pressure of the pressure switch. Ensure that the output of the pump at this setting is not greater than the yield of the well. This can be checked by monitoring the well drawdown level and ensuring that the level is stable at the maximum required system flow rate.

CAUTION Never run the pump unless it is completely submerged in water. If run without water, the pump and motor could be damaged. Note also that air drawn into the pump can cause an airlock under certain conditions.

LOW-YIELDING WELL

A low-yielding well exists when the output from the pump is greater than the yield of the well. It can reduce the water level to the suction screen so that a mixture of air and water enters the pump. Pumping may stop since the pump cannot generate pressure with insufficient water. In this case, the column of water already in the drop pipe holds the check valve closed and an airlock may develop inside the pump. Because the conditions ensure neither adequate lubrication of the pump nor proper cooling for the motor, damage can result if power is not cut off quickly. Use one or more of the following methods to correct and/or protect this installation.

1. Install an additional length of drop pipe to place pump lower in well if possible.
2. Install a Franklin Pumptec or similar electronic drawdown sensor.
3. Install a floatless liquid level control. This device consists of an electrical relay activated by currents flowing through the ground-return circuits of electrodes hung in the well. The lower (stop) electrode, just above the pump, ensures that the water level can never be pumped down to the suction screen. The upper (start) electrode, just below the lowest static water level, ensures that the pump can start again as soon as the well has recovered. A floatless liquid level control works in series with the pressure switch. Refer to the manufacturers instructions provided with the control.
4. Install a flow control valve in the discharge line upstream from the pressure switch. This restricts the output from the pump without affecting the rate that water can be drawn from the pressure tank. Nevertheless, a heavy demand for water could empty the pressure tank, so a tank with a bonded diaphragm, air cell, or water bag is recommended.
5. Install a smaller pump to avoid over-pumping the well. Have the dealer size the pump to the well yield.
6. Install a low pressure cut off switch, or a pressure switch with such an arrangement built in. This protects a shallow-well pump from losing its prime, but it does not always provide satisfactory protection to a submersible pump from the effects of over-pumping the well. This is because it responds to a loss of pressure at the surface, which may occur after an air lock has formed inside the pump. Either a floatless liquid level control or a flow control valve, in that order, is recommended in preference to a low-pressure cutoff switch as protection against over-pumping.

DISCHARGE PLUMBING

Figure 1 illustrates a typical well installation showing above-ground components. Refer to Figure 1 and the following steps when installing the discharge plumbing.

1. Install an above-ground check-valve upstream from the pressure switch.
2. Always install a pressure relief valve in the system. The relief valve should be capable of discharging the flow rate of the pump at the rated working pressure of the pressure tank. Locate the relief valve close to the pressure tank.
3. Install a pressure switch between the check valve and the pressure tank. Refer to Figure 2, 3, or 4 for proper wiring connections of pressure switch.
4. Install a pressure tank as close as possible to the pressure switch. Refer to manufacturer's recommendations for installation.

INSTALLATION IN LAKE OR STREAM

A submersible pump is usually isolated at the bottom of a well, where electrical leakage from its motor and cable presents no hazard to life. This natural protection is lost when it is installed in a lake, pond, stream, or fountain because there is no way to stop people and animals from entering or touching the surrounding water. It is recommended that such an installation be done by a licensed electrician in conformance with all applicable national and local electrical codes. Grounding as described in this manual is a minimum requirement, and a ground fault circuit interrupter (GFCI) is advisable. But in the absence of explicit national or local regulations, ask the local electric utility for guidance. In any case, support the pump from the shore or bottom at a 15° slant to assure proper motor bearing lubrication. Shield the pump from direct physical contact by people and animals. Protect and screen the pump intake to prevent blockage by leaves and weeds, but remember the need for adequate flow over the motor for cooling purposes. In addition, protect the entire underwater installation from water currents, ice, boats, anchors, debris, vandalism, and other hazards.

TROUBLESHOOTING

1. PUMP FAILS TO START

- a) Electrical trouble - call dealer or electrician
- b) Drawdown protection device has pump turned off
- c) Overload tripped
- d) Reset low pressure cutoff switch (if installed)

2. PUMP FAILS TO DELIVER WATER

- a) Air lock in pump
- b) Clogged intake screen
- c) Insufficient well yield

3. PUMP GIVES REDUCED OUTPUT

- a) Insufficient well yield
- b) Worn pump
- c) Clogged intake screen
- d) Low voltage
- e) Incorrect rotation (3-phase only)

4. PUMP CYCLES TOO FREQUENTLY

- a) Excessive pressure drop between pressure switch and pressure tank
- b) Cut-in pressure at pressure tank too high
- c) Cut-out pressure at pressure tank too low
- d) Waterlogged pressure tank
- e) Start and stop electrodes of floatless liquid level control set too close together
- f) Tank sized too small to meet system requirements

5. OVERLOADS TRIP

- a) Electrical trouble - call dealer or electrician

6. PRESSURE SWITCH CYCLES RAPIDLY WHEN PUMP STARTS

- a) Pressure switch too far from pressure tank
- b) Improper air charge of tank - adjust to manufacturer's recommendations

U.S. LIMITED WARRANTY

Franklin Electric Company, Inc.

Franklin Electric Company, Inc. warrants its new products to be free of defects in material and workmanship for a period of 1 year from date of installation or 2 years from date of manufacture, whichever comes first, WHEN installed in a domestic water systems application and pumping potable water only. Warranty does not cover applications pumping saltwater or other corrosive liquids. Consult and adhere to local codes for all applications. Franklin Electric also provides additional warranty coverage on specific products as specified herein.

Franklin Electric's warranty obligation with regard to equipment not of its own manufacture is limited to the warranty actually extended to Franklin Electric by its suppliers.

This warranty extends only to the original retail purchaser and only during the time in which the original retail purchaser occupies the site where the product was originally installed.

Requests for service under this warranty shall be made by contacting the installing Franklin Electric dealer (point of purchase) as soon as possible after the discovery of any alleged defect. Franklin Electric will subsequently take corrective action as promptly as reasonably possible.

Franklin Electric, at its discretion, may replace or repair any product that fails under this warranty after inspection by an authorized company representative or after Franklin Electric has received the product at our factory. Replacement or repair cannot be made until after the product is inspected. All charges or expenses for freight to and from the factory, removal and reinstallation of the product, or installation of a replacement product are the responsibility of the purchaser.

THIS WARRANTY SUPERSEDES ANY WARRANTY NOT DATED OR BEARING AN EARLIER DATE. ANY IMPLIED WARRANTIES WHICH THE PURCHASER MAY HAVE, INCLUDING MERCHANT ABILITY AND FITNESS FOR A PARTICULAR PURPOSE, SHALL NOT EXTEND BEYOND THE APPLICABLE WARRANTY PERIOD. Some states do not allow limitations on how long an implied warranty lasts, so the above limitation may not apply to you. IN NO EVENT SHALL FRANKLIN ELECTRIC BE LIABLE FOR INCIDENTAL OR CONSEQUENTIAL DAMAGES. Some states do not allow the exclusion or limitation of incidental or consequential damages, so the above may not apply to you.

This warranty does not apply to any product which has been subjected to negligence, alteration, accident, abuse, misuse, improper installation, vandalism, civil disturbances, or acts of God. The only warranties authorized by Franklin Electric are those set forth herein. Franklin Electric does not authorize other persons to extend any warranties with respect to its products, nor will Franklin Electric assume liability for any unauthorized warranties made in connection with the sale of its products.

THIS WARRANTY GIVES YOU SPECIFIC LEGAL RIGHTS, AND YOU MAY ALSO HAVE OTHER RIGHTS WHICH MAY VARY FROM STATE TO STATE.

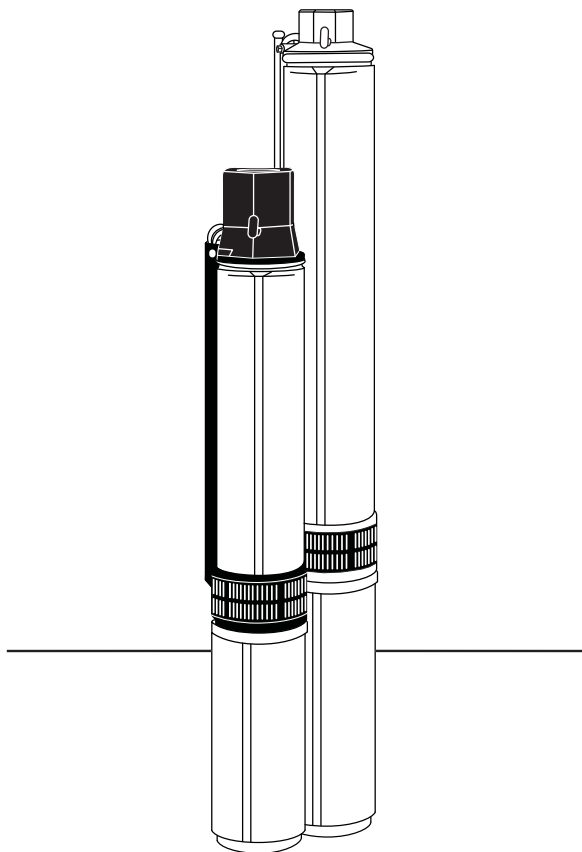


Franklin Electric

P. O. Box 12010
Oklahoma City, OK 73157-2010

For parts or repair, please contact. 1.888.572.9933
For technical assistance, please contact. 1.888.956.0000

www.LittleGiantPump.com
CustomerService-WTS@fele.com



LIRE ATTENTIVEMENT CE GUIDE D'UTILISATION AVANT D'INSTALLER LA POMPE.

ATTENTION Pour éviter d'endommager la pompe, ne pas la faire fonctionner à sec avant l'amorçage. Le moteur de cette pompe est garanti par le fabricant. En cas de panne, il doit être retourné à un centre de service autorisé pour être réparé. La garantie du moteur sera annulée si les réparations ne sont pas effectuées par un centre de service autorisé.

INSPECTION DE L'ÉQUIPEMENT

Examiner la pompe dès la réception pour s'assurer qu'elle n'a subi aucun dommage pendant l'expédition. S'il y a des dommages manifestes, prévenir immédiatement le marchand qui a vendu la pompe. Vérifier qu'aucune pièce ne manque dans l'emballage : pompe, moteur, et câbles conducteurs du moteur si l'achat de la pompe inclut un moteur.

Le clapet de non-retour de cette pompe est soit intégré, soit monté à l'extérieur avec le corps de refoulement. S'assurer que la tension du secteur est en conformité avec la tension nominale du moteur.

LIRE ET SUIVRE CES CONSIGNES DE SÉCURITÉ

! Ce symbole, que l'on retrouve dans ce guide d'utilisation et sur la pompe, vise à attirer l'attention de l'utilisateur sur des situations dangereuses. Il est associé à des mots indicateurs dont voici les définitions :

DANGER Signale une situation présentant un danger imminent qui, si elle n'est pas évitée, entraînera des dégâts matériels importants ou de graves blessures, voire la mort.

MISE EN GARDE Signale une situation potentiellement dangereuse qui, si elle n'est pas évitée, peut entraîner des dégâts matériels importants, de graves blessures ou la mort.

ATTENTION Signale une situation potentiellement dangereuse qui, si elle n'est pas évitée, peut entraîner des blessures légères/superficielles ou des dégâts matériels importants.

L'étiquette **À NOTER** signale des instructions spéciales importantes, mais non associées à des dangers.

Lire attentivement et suivre toutes les consignes de sécurité de ce guide d'utilisation et celles sur la pompe.

Maintenir en bon état les étiquettes de sécurité.

Remplacer les étiquettes de sécurité manquantes ou endommagées.

! MISE EN GARDE



Tension dangereuse. Peut causer une décharge électrique, des brûlures, voire la mort.

Mettre la pompe à la terre avant de la brancher sur le secteur. Couper l'alimentation électrique avant de travailler sur la pompe, le moteur ou le réservoir.

! Adapter le moteur au courant utilisé. Se référer à la section Information électrique de ce guide d'utilisation et à la plaque signalétique du moteur.

! Mettre le moteur à la terre avant de le mettre sous tension.

! Tous les câblages doivent être conformes au NEC (code national d'électricité américain), au Code électrique canadien et aux codes locaux.

! Suivre les instructions de câblage de ce guide d'utilisation pour brancher le moteur sur le secteur.

ATTENTION!

RENSEIGNEMENTS IMPORTANTS À L'INTENTION DE L'INSTALLATEUR DE CET ÉQUIPEMENT!

CET ÉQUIPEMENT DOIT ÊTRE INSTALLÉ PAR UN TECHNICIEN QUALIFIÉ. UNE INSTALLATION NON CONFORME AUX CODES ÉLECTRIQUES NATIONAUX ET LOCAUX, AINSI QU'ÀUX RECOMMANDATIONS DE FRANKLIN ELECTRIC, POURRAIT CAUSER UNE ÉLECTROCUTION, UN DANGER D'INCENDIE, UN MAUVAIS FONCTIONNEMENT ET LA PANNE DE L'ÉQUIPEMENT. ON PEUT SE PROCURER UN GUIDE D'INSTALLATION DE FRANKLIN ELECTRIC CHEZ LES FABRICANTS ET DISTRIBUTEURS DE POMPE, ET DIRECTEMENT CHEZ FRANKLIN ELECTRIC. APPELER SANS FRAIS FRANKLIN ELECTRIC AU 800-701-7894 POUR OBTENIR DE PLUS AMPLES RENSEIGNEMENTS À CE SUJET. CONSERVER CETTE FICHE D'INFORMATION AVEC L'ÉQUIPEMENT POUR CONSULTATION FUTURE.



POUR ÉVITER UNE ÉLECTROCUTION GRAVE OU MORTELLE : BRANCHER IMPÉRATIVEMENT SUR LA BORNE DE MISE À LA TERRE (AVEC UN FIL DE MÊME CALIBRE, OU PLUS GROS, QUE CELUI DES CÂBLES DU MOTEUR) LE MOTEUR, LES BOÎTES DE COMMANDE, LA PLOMBERIE EN MÉTAL ET TOUT AUTRE OBJET MÉTALLIQUE SE TROUVANT À PROXIMITÉ DU MOTEUR OU DU CÂBLE. POUR RÉDUIRE LES RISQUES ÉLECTROCUTION, COUPER L'ALIMENTATION ÉLECTRIQUE AVANT DE TRAVAILLER SUR L'ÉQUIPEMENT AQUATIQUE OU PRÈS DE CELUI-CI. NE PAS UTILISER LE MOTEUR DANS DES AIRES DE BAIGNADE.

DOSSIERS D'INSTALLATION

Conserver un dossier sur l'installation est une excellente idée. Veiller à consigner les informations suivantes :

Nom du marchand/magasin :			
Date de l'installation :			
Modèle de pompe* :			
Code de date de la pompe* :			
Diamètre interne du puits (po/mm) :			
Profondeur du puits (pi/m) :			
Profondeur de l'eau (pi/m) :			
Hauteur d'installation de la pompe (pi/m) :			
Dimensions de la colonne descendante :			
Calibre du fil (de la pompe à la boîte de commande) :			
Calibre du fil (de la boîte de commande à la source d'alimentation) :			
Déport horizontal (entre le puits et la maison) :			
Marque du moteur*			
Amp.	HP	Volts	Phase
Marque de la boîte de commande			
HP		Volts	
Alimentation électrique			
Volts		HZ	
Plage de pression de refoulement du pressostat			
Pression de démarrage (PSI)		Pression d'arrêt (PSI)	

*Vous trouverez ces informations sur l'étiquette de la pompe ou du moteur. Elle nous aidera à identifier votre pompe en cas de demandes ultérieures de renseignements.

MISE À L'ESSAI DE LA POMPE

Si une mise à l'essai de la pompe doit être effectuée avant son installation :

1. Vérifier l'alimentation électrique : elle doit être conforme aux indications données par la plaque signalétique du moteur et, si elle est requise, à celles dans la boîte de commande.
2. Installer la pompe et les composants requis pour la mise à l'essai (voir Figure 1).
3. S'assurer que l'alimentation électrique est coupée, et que le disjoncteur ou sectionneur est ouvert. Réaliser les connexions électriques appropriées pour le moteur. Voir Figure 2, 3 ou 4.

- Moteur triphasé : utiliser un démarreur magnétique équipé d'éléments chauffants à déclenchement rapide et thermocompensés, conformes à la puissance du moteur. Pour vérifier la bonne rotation des modèles triphasés, caler solidement la cage de la pompe, puis mettre brièvement sous tension en actionnant rapidement l'interrupteur. Regarder au point de refoulement : la rotation est correcte lorsque la cage tourne dans le sens horaire (c.-à-d. : l'arbre de pompe tourne dans le sens antihoraire). Pour inverser la rotation, inverser au choix deux fils du démarreur magnétique.
- Faire tourner la pompe et le moteur pendant quelques secondes pour vérifier leur bon fonctionnement.

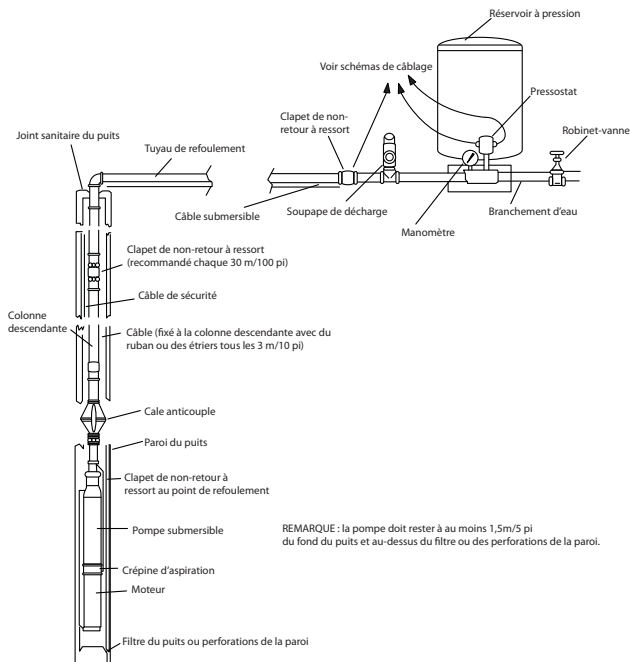


Figure 1
Schéma d'installation

ADÉQUATION DU PUIT

Installer la pompe uniquement dans un puits bien aménagé; l'eau d'un puits mal équipé contient souvent beaucoup de sable, de saletés et matières abrasives qui pourraient endommager la pompe. La circonférence du puits doit être suffisante pour installer la pompe à la profondeur appropriée. Idéalement, la pompe ne doit pas être plus basse que les perforations de la paroi ou du filtre du puits. Sinon, penser à prévoir un débit d'eau adéquat au-dessus du moteur pour le refroidir. À l'aide du dossier du foreur, déterminer la hauteur d'installation de la pompe; tenir compte du niveau naturel de l'eau et de la baisse de celui-ci pour le débit projeté. Garder la pompe à au moins 1,50 m (5 pi) au-dessus du fond d'un puits foré.

RACCORDEMENT DU CÂBLE ÉLECTRIQUE

Suivre les instructions qui accompagnent la trousse de jonction de câble (vendue séparément).

COLONNE DESCENDANTE

Une colonne en tôle galvanisée est recommandée pour suspendre la pompe submersible dans le puits. Utiliser un tuyau en plastique uniquement s'il est conforme aux recommandations de profondeur et de pression du fabricant. Veiller à installer les accessoires importants suivants :

- Un câble de sécurité, pour éviter de perdre la pompe en cas de bris de colonne.
- Une cale anticouple, posée juste au-dessus de la pompe, pour empêcher le câble de frotter lorsque la pompe et la colonne vrillent au démarrage et à l'arrêt du moteur. (Voir Figure 1.)

Une tôle galvanisée de type 40 est adéquate jusqu'à 180 m (600 pi). Pour des pompes plus profondes, utiliser le type 40 pour les premiers 180 m (600 pi), et ensuite le type 80.

Il est très important de garder les conduites propres et sans cailloux, dépôts ou ébarbures. Les raccords effectués doivent être hermétiques; il est recommandé d'utiliser du mastic de plomberie.

CLAPETS DE NON-RETOUR

Beaucoup de pompes sont dotées d'un clapet de non-retour intégré ou monté à l'extérieur. Si la pompe n'a pas de clapet, en poser un tout juste au-dessus de celle-ci. Monter un autre clapet de non-retour à la surface. Si la pompe est à plus de 30 m (100 pi) de la margelle, poser un autre clapet dans la colonne descendante, à 30 m (100 pi) au-dessus de la pompe. Si la pompe est à plus de 60 m (200 pi) de profondeur, placer d'autres clapets à chaque 30 m (100 pi).

CLAPET DE NON-RETOUR À RESSORT AMOVIBLE

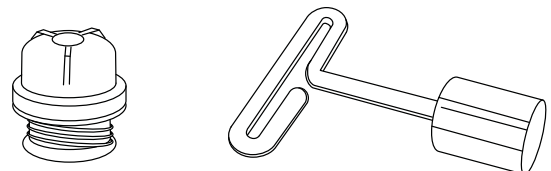
Les pompes de 4 po (101,6 mm) avec un refoulement de 1-1/4 po (31,75 mm) sont équipées d'un clapet de non-retour à ressort amovible au point de refoulement, pouvant être déposé lorsqu'un refoulement inverse (vers la pompe) est souhaité.



Le refoulement du fluide vers la pompe peut entraîner la rotation en sens inverse de celle-ci : si la pompe/le moteur démarre à ces moments-là, la pompe pourrait subir des dommages.

Utiliser une clé de fontainier pour clapet de non-retour à ressort (vendue séparément) ou des pinces standard à bec effilé pour déposer ce dernier. Le filetage du clapet étant à gauche, il se dévisse dans le sens horaire.

Revisser le clapet à un couple de 1,69 Nm (15 lb.po).



Clapet de non-retour à ressort

Clé de fontainier pour clapet

INSTALLATION DE LA POMPE, DE LA COLONNE DESCENDANTE ET DES ACCESSOIRES

La Figure 1 illustre une installation typique des composants dans le sol. Suivre les instructions suivantes d'installation de la pompe et de la colonne descendante :

1. À chaque 3 m (10 pi), attacher le câble submersible à la colonne avec des étriers ou du ruban approprié pour éviter qu'il s'entortille ou soit endommagé. Si l'on utilise une colonne descendante en plastique, le câble doit rester lâche à cause de l'étirement de la colonne une fois installée.
2. Veiller à ne pas racler ou pincer le câble contre la paroi du puits.
3. À l'aide d'un ohmmètre ou d'un mégohmmètre, vérifier la qualité de l'isolation et la continuité du câble après l'installation de la pompe. Toute défektivité dans le câble sera ainsi détectée.
4. Un clapet de non-retour doit être posé tout juste au-dessus de la pompe. Monter des clapets additionnels à chaque 30 m (100 pi).
5. Poser une cale anticouple, juste au-dessus de la pompe et du clapet, pour empêcher le câble de frotter lorsque la pompe et la colonne vrillent au démarrage et à l'arrêt du moteur.
6. Accrocher un câble de sécurité à la pompe pour éviter de la perdre en cas de bris de colonne.
7. Poser à la margelle du puits un joint sanitaire ou un coulisseau de raccordement, avec un couvercle approuvé, en suivant les recommandations du fabricant.
8. La pompe doit rester à au moins 1,5 m (5 pi) du fond du puits et au-dessus du filtre ou des perforations de la paroi.

INFORMATION ÉLECTRIQUE

1. Le câblage doit être effectué par un électricien professionnel, et conformément aux codes nationaux et locaux d'électricité.
2. Vérifier l'alimentation électrique : elle doit être conforme aux caractéristiques électriques du moteur et, si elle est requise, de la boîte de commande. S'assurer aussi que les caractéristiques de la boîte de commande sont en conformité avec celles du moteur.
3. Un sectionneur à fusible ou un disjoncteur est obligatoire pour chaque installation.
4. En outre, chaque installation doit être mise à la terre. Il doit y avoir une liaison fiable de mise à la terre reliant la pompe et le tableau de distribution. Les câbles du moteur incluent un câble vert pour la mise à la terre.
5. Des parafoudres sont aussi recommandés pour chaque installation. Tous les moteurs monophasés en acier inoxydable jusqu'à 5 HP sont protégés par des parafoudres. Les moteurs triphasés exigent un parafoudre distinct, monté aussi près que possible de la margelle. Poser le parafoudre en suivant les recommandations du fabricant. Les parafoudres protègent la pompe contre les surtensions transitoires des lignes électriques secondaires; ils sont inefficaces en cas de coup direct.

6. Monter la boîte de commande à l'abri de la pluie, de la neige, du plein soleil ou autres températures élevées qui pourraient déclencher le limiteur de surcharge. Veiller aussi à protéger la boîte des températures très basses, soit en dessous de $-32\text{ }^{\circ}\text{C}$ ($25\text{ }^{\circ}\text{F}$), lesquelles pourraient compromettre le fonctionnement du condensateur de démarrage.
7. Une pompe bifilaire n'a pas besoin de boîte de commande, les composants électriques étant intégrés au moteur. La Figure 2 illustre une installation à liaison bifilaire typique.

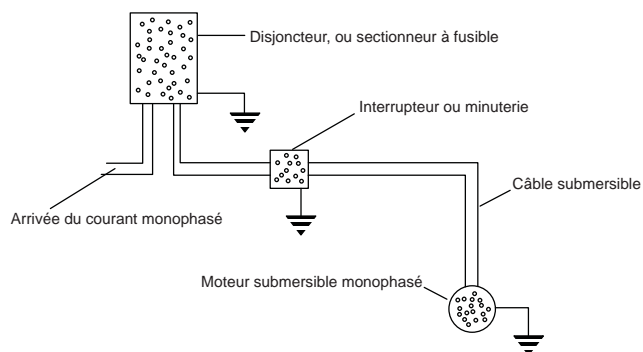


FIGURE 2
Schéma de câblage – Pompes bifilaires monophasées 1/3 à 1-1/2 HP

8. Une pompe trifilaire monophasée requiert une boîte de commande, intégrant des relais de surcharge. La Figure 3 illustre une installation à liaison trifilaire monophasée typique. Il est à noter qu'un contacteur magnétique doit être utilisé si le moteur submersible est trop puissant pour la capacité électrique du pressostat. Dans ces cas-là, le pressostat serait intégré à un circuit pilote qui régule le contacteur magnétique. Pour prévenir tout dommage au moteur, les raccordements à la boîte de commande doivent être conformes au schéma de câblage qui se trouve dans celle-ci.

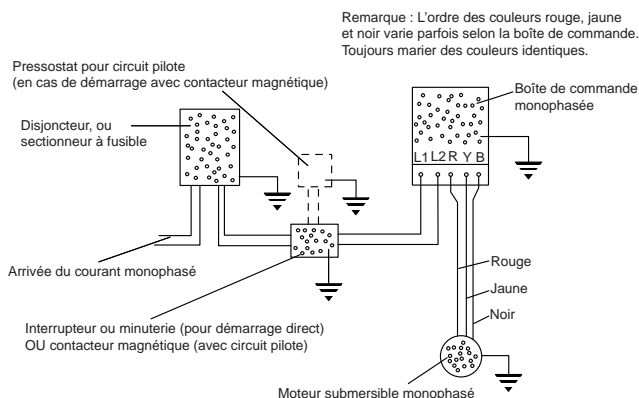


FIGURE 3
Schéma de câblage – Pompes trifilaires monophasées 1/3 à 15 HP

9. Une pompe trifilaire triphasée n'a pas besoin d'une boîte de commande. La Figure 4 illustre une installation à liaison trifilaire triphasée typique. Un contacteur magnétique, avec protection tripode et relais de surcharge thermocompensés à déclenchement rapide, doit être posé.

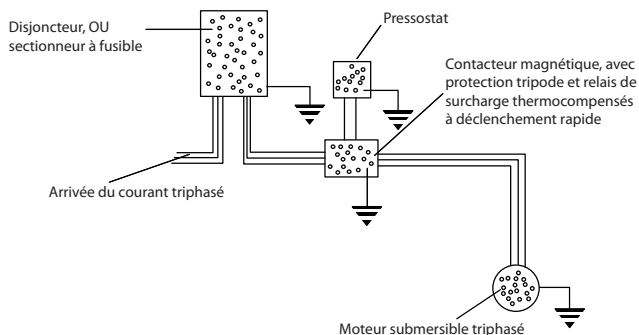


FIGURE 4
Schéma de câblage – Pompes trifilaires triphasées 1-1/2 à 50 HP

10. À l'aide d'un ohmmètre, vérifier la qualité de l'isolation et la continuité du câble après l'installation de la pompe.
11. Apposer la plaque signalétique supplémentaire sur l'étiquette de la pompe submersible, puis placer le tout sur le sectionneur ou disjoncteur pour consultation future.

CONTRÔLE DU PUIT

Contrôler la pompe et le puits avant de faire le dernier raccordement au circuit de refoulement.

1. Poser un robinet-vanne à l'extrémité du branchement d'eau, puis l'ouvrir partiellement.
2. Démarrer la pompe.
3. Ouvrir de nouveau le robinet petit à petit jusqu'à un débit maximal.
4. Si le refoulement n'est pas transparent, laisser la pompe en marche jusqu'à ce que l'eau soit claire. Si au bout de 30 minutes l'eau n'est toujours pas claire, arrêter la pompe et prendre les mesures correctives nécessaires. Après que l'eau semble claire, la verser dans un seau ou contenant approprié et vérifier qu'il n'y a pas de sable.
5. Fermer partiellement le robinet, au débit maximum souhaité. Ce réglage devrait être conforme à la pression de démarrage du pressostat. S'assurer que la sortie de pompe pour ce réglage n'excède pas la capacité du puits, en vérifiant l'amplitude du marnage : le niveau doit rester stable au débit maximum souhaité.

ATTENTION Ne jamais faire fonctionner la pompe si elle n'est pas entièrement submergée. Un fonctionnement à sec pourrait endommager la pompe et le moteur. À noter aussi que de l'air aspiré par la pompe pourrait causer la présence d'une poche d'air dans certaines circonstances.

FAIBLE RENDEMENT DU PUIT

Ce phénomène se produit lorsque la sortie de pompe est trop puissante pour la capacité du puits. Le niveau de l'eau au point d'aspiration peut alors baisser d'autant qu'un mélange d'air et d'eau pénètre dans la pompe. Le pompage risque d'être interrompu, puisque la pompe ne peut produire de pression s'il n'y a pas assez d'eau. Si le pompage s'arrête, l'eau prisonnière dans la colonne maintient fermé le clapet de non-retour et une poche d'air peut se former dans la pompe. Dans ces conditions, la pompe n'est plus lubrifiée ni refroidie adéquatement : si le courant n'est pas coupé dans les plus brefs délais, elle pourrait subir des dommages. Suivre au moins l'une des méthodes suivantes pour corriger ou protéger cette installation.

1. Poser une rallonge de colonne descendante pour abaisser la pompe dans le puits, si cela est possible.
2. Poser une Pumpotec de Franklin ou autre sonde électronique similaire de niveau.
3. Poser un régulateur de niveau de liquide sans flotteur. Ce dispositif consiste en un relais électrique activé par des courants qui traversent des circuits de retour par la terre (électrodes suspendues dans le puits). L'électrode inférieure (arrêt), juste au-dessus de la pompe, la met hors tension dès que le niveau d'eau descend plus bas que la crépine d'aspiration. L'électrode supérieure (démarrage), juste en dessous du niveau naturel de l'eau, redémarre la pompe dès que le niveau approprié est rétabli. Un régulateur de niveau de liquide sans flotteur agit en série avec le pressostat. Se référer aux instructions du fabricant fournies avec le régulateur.
4. Poser un robinet de réglage sur la conduite de refoulement, en amont du pressostat. La sortie de pompe sera ainsi limitée, sans affecter le débit d'eau du réservoir à pression. Néanmoins, parce qu'une forte demande d'eau pourrait vider le réservoir, il est suggéré de prévoir un réservoir équipé d'une membrane collée, d'une alvéole ou d'une vache à eau.
5. Installer une pompe moins puissante, plus adaptée à la capacité du puits. (Demander au marchand de jauger la pompe selon le rendement du puits.)
6. Poser un interrupteur de basse pression, ou un pressostat avec un tel interrupteur intégré. Ce dispositif empêche une pompe peu profonde de perdre son amorce, mais il ne protège pas toujours suffisamment une pompe submersible contre les conséquences liées à un surpompage du puits. En effet, ce genre d'interrupteur réagit à une chute de pression en surface, laquelle se produit parfois lorsqu'il y a une poche d'air dans la pompe. C'est pourquoi, et par ordre d'importance, un régulateur de niveau de liquide sans flotteur ou un robinet de réglage sont plutôt recommandés contre le surpompage, de préférence à un interrupteur de basse pression.

PLOMBERIE DE REFOULEMENT

La Figure 1 illustre une installation typique avec les composants à la surface. Se référer à la Figure 1 et aux étapes suivantes lors de l'installation de la plomberie de refoulement.

1. Poser en surface un clapet de non-retour, en amont du pressostat.
2. La présence d'une soupape de décharge (ou soupape de retour) est obligatoire avec cet équipement; elle doit pouvoir évacuer l'excès de fluide à la pression de service du réservoir. Placer la soupape de décharge à proximité de ce dernier.
3. Poser un pressostat entre la soupape de décharge et le réservoir à pression. Les Figures 2, 3 et 4 illustrent un raccordement adéquat du pressostat.
4. Le réservoir à pression doit être installé aussi près que possible du pressostat. Suivre les conseils d'installation du fabricant.

INSTALLATION DANS UN LAC OU UN COURS D'EAU

Une pompe submersible est normalement isolée au fond d'un puits; les fuites à la terre du moteur et du câble sont sans danger pour la vie humaine. Cette protection naturelle est perdue lorsque la pompe se trouve dans un lac, un étang, un cours d'eau ou une fontaine : il est impossible d'empêcher les gens, ou les animaux, de toucher la masse d'eau submergeant la pompe. Il est recommandé de confier une telle installation à un électricien professionnel pour s'assurer qu'elle respecte les codes locaux et nationaux d'électricité. Une mise à la terre, conforme aux directives de ce guide d'installation, est une condition minimum de l'installation, tandis qu'un disjoncteur de fuite de terre est fortement conseillé. Demander l'aide de la compagnie d'électricité locale en cas d'absence de règlements clairs (locaux ou nationaux), Dans tous les cas, caler la pompe à un angle de 15° sur le lit de la masse d'eau (ou à partir du rivage), pour garantir une lubrification appropriée des paliers du moteur. Isoler la pompe de tout contact physique par des personnes ou des animaux. Protéger le point d'aspiration en y posant un filtre, évitant ainsi à la pompe d'être bouchée par des feuilles ou des herbes. Garder à l'esprit qu'elle requiert un niveau d'eau adéquat au-dessus du moteur pour qu'il ne surchauffe pas. Finalement, veiller à protéger l'équipement submergé : courant de l'eau, glace, bateaux, ancrs, débris, vandalisme et autres dangers.

DÉPANNAGE

1. LA POMPE REFUSE DE DÉMARRER

- a) Anomalie électrique – appeler le marchand ou un électricien
- b) Pompe mise hors tension par une sonde de niveau ou autre dispositif de protection
- c) Le disjoncteur a sauté
- d) Réarmer (s'il y en a un) l'interrupteur de basse pression

2. LA POMPE NE DONNE PAS D'EAU

- a) Poche d'air dans la pompe
- b) Crépine d'aspiration bouchée
- c) Capacité insuffisante du puits

3. DÉBIT FAIBLE PRODUIT PAR LA POMPE

- a) Capacité insuffisante du puits
- b) Pompe usée
- c) Crépine d'aspiration bouchée
- d) Tension trop faible
- e) Rotation incorrecte (triphasee uniquement)

4. CYCLES DE POMPAGE TROP FRÉQUENTS

- a) Chute de pression excessive entre le pressostat et le réservoir à pression
- b) Pression de démarrage au réservoir trop élevée
- c) Pression d'arrêt au réservoir trop faible
- d) Trop d'eau dans le réservoir
- e) Les électrodes de démarrage et d'arrêt du régulateur de niveau de liquide sont trop rapprochées
- f) Capacité insuffisante du réservoir par rapport aux exigences de l'équipement

5. LE DISJONCTEUR SAUTE

- a) Anomalie électrique – appeler le marchand ou un électricien

6. LE PRESSOSTAT S'ALLUME ET S'ÉTEINT RAPIDEMENT AU DÉMARRAGE DE LA POMPE

- a) Le pressostat est trop éloigné du réservoir à pression
- b) Admission d'air incorrecte dans le réservoir – régler selon les recommandations du fabricant

GARANTIE LIMITÉE, ÉTATS-UNIS

Franklin Electric Company, Inc.

Franklin Electric Company, Inc. garantit ses produits neufs contre tout défaut de matériaux et de fabrication pendant une période d'un (1) an à compter de la date d'installation ou pendant deux (2) ans à compter de la date de fabrication, selon la première échéance, LORSQUE ces produits sont installés dans un circuit d'eau domestique qui pompe de l'eau potable uniquement. La garantie ne couvre pas les produits qui pompent de l'eau salée ou autres liquides corrosifs. Consulter et observer les codes locaux pour toutes les applications. Franklin Electric fournit aussi une garantie supplémentaire sur des produits spécifiques, comme il est stipulé aux présentes.

Les obligations de garantie de Franklin Electric en ce qui concerne les équipements fabriqués par des tiers se limitent à la garantie qui est donnée à Franklin Electric par ses fournisseurs.

Seul le premier acheteur peut bénéficier de cette garantie, et uniquement s'il habite l'endroit d'installation d'origine du produit.

Un service sous garantie doit être demandé en contactant le marchand installateur (point de vente) Franklin Electric le plus tôt possible après avoir constaté une défectuosité éventuelle. Franklin Electric prendra les mesures correctives nécessaires aussi rapidement et raisonnablement que possible.

Franklin Electric s'engage à remplacer ou réparer, à sa discrétion, un produit défectueux sous garantie après qu'il a été inspecté par un représentant autorisé de la société ou après la réception du produit par Franklin Electric à son usine. Le produit doit être inspecté avant de pouvoir être remplacé ou réparé. L'acheteur sera responsable des frais et coûts de transport aller-retour à l'usine, de la dépose et de la réinstallation du produit.

LA PRÉSENTE GARANTIE REMPLACE TOUTE AUTRE GARANTIE NON DATÉE OU PORTANT UNE DATE ANTÉRIEURE. LA DURÉE DE TOUTE GARANTIE IMPLICITE QUE L'ACHETEUR POURRAIT AVOIR, Y COMPRIS CELLE DE QUALITÉ MARCHANDE ET D'ADÉQUATION À UN USAGE PARTICULIER, NE PEUT DÉPASSER CELLE DE LA PRÉSENTE GARANTIE. Certaines juridictions n'autorisent pas de limitations pour les garanties implicites, la restriction ci-dessus pourrait ne pas vous concerner. EN AUCUN CAS FRANKLIN ELECTRIC NE POURRA ÊTRE TENUE RESPONSABLE DE DOMMAGES ACCESSOIRES OU INDIRECTS. Certaines juridictions n'autorisent pas l'exclusion ou la limitation des dommages accessoires ou indirects, la restriction ci-dessus pourrait ne pas vous concerner.

Cette garantie ne s'applique pas à un produit endommagé par : une négligence, une modification, un accident, un usage abusif, une mauvaise utilisation, une installation fautive, des actes de vandalisme, des troubles publics ou une catastrophe naturelle. Les seules garanties autorisées et reconnues par Franklin Electric sont celles énoncées aux présentes. Franklin Electric n'autorise aucune autre personne à prolonger la garantie de ses produits, et n'assumera aucune responsabilité quant à ces garanties non autorisées données lors de la vente du produit.

CETTE GARANTIE VOUS OCTROIE DES DROITS LÉGAUX SPÉCIFIQUES. VOUS POUVEZ AUSSI BÉNÉFICIER DE DROITS SUPPLÉMENTAIRES, SELON LA JURIDICTION DANS LAQUELLE VOUS VOUS TROUVEZ.

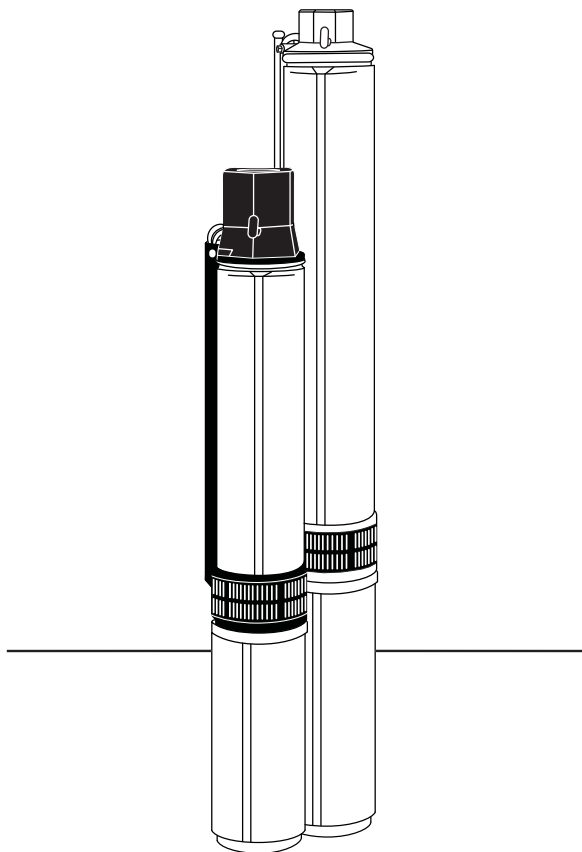


Franklin Electric

P. O. Box 12010
Oklahoma City, OK 73157-2010

Pour des pièces ou une réparation, contacter 1.888.572.9933
Pour une assistance technique, contacter 1.888.956.0000

www.LittleGiantPump.com
CustomerService-WTS@fele.com



ANTES DE INSTALAR LA BOMBA, ASEGÚRESE DE LEER ATENTAMENTE ESTE MANUAL DEL PROPIETARIO.

PRECAUCIÓN Llene la bomba con agua antes de encenderla ya que de lo contrario, la bomba se dañará. El motor de esta bomba está garantizado por el fabricante. Si funciona mal, debe ser devuelto a un taller autorizado para su reparación. La garantía del motor quedará anulada si las reparaciones no son realizadas por un taller autorizado.

INSPECCION EL ENVÍO

Examine la bomba cuando la reciba para asegurarse de que no haya sufrido ningún daño durante el envío. Si llegara a notarse algún daño, infórmelo de inmediato al distribuidor donde compró la bomba. Revise el empaque de la bomba para verificar que incluya la bomba, el motor y las conexiones del motor (si la bomba que compró incluye un motor).

Esta bomba incluye una válvula de retención de instalación incorporada o externa con el cabezal de descarga. Asegúrese de que el voltaje disponible coincida con el del motor.

LEA Y SIGA LAS INSTRUCCIONES DE SEGURIDAD

! Este es un símbolo de alerta de seguridad. Cuando vea este símbolo en la bomba o en este manual, busque una de las siguientes palabras clave y preste atención ya que hay riesgo de que se produzcan lesiones personales.

PELIGRO advierte sobre riesgos que causarán graves lesiones personales, la muerte o importantes daños a la propiedad si se ignoran.

ADVERTENCIA advierte sobre riesgos que pueden causar graves lesiones personales, la muerte o importantes daños a la propiedad si se ignoran.

PRECAUCIÓN advierte sobre riesgos que causarán o pueden causar lesiones personales leves o importantes daños a la propiedad si se ignoran.

La etiqueta de **AVISO** indica instrucciones especiales, que son importantes pero no están relacionadas con riesgos.

Lea atentamente y siga todas las instrucciones de seguridad que aparecen en este manual o en la bomba.

Mantenga las etiquetas de seguridad en buenas condiciones.

Reemplace cualquier etiqueta de seguridad faltante o dañada.

! ADVERTENCIA!



Voltaje peligroso. Puede provocar choques eléctricos, quemaduras o causar la muerte.

Conecte la bomba a tierra antes de conectarla al suministro de energía. Desconecte la energía antes de trabajar en la bomba, el motor o el tanque.

! Cablee el motor para el voltaje correcto. Consulte la sección Información eléctrica de este manual y la placa de identificación del motor.

! Conecte el motor a tierra antes de conectar el suministro de energía.

! Cumpla las normas correspondientes del Código eléctrico estadounidense, el Código eléctrico canadiense y de todos los códigos locales para todo el cableado.

! Siga las instrucciones de cableado en este manual cuando conecte el motor a los cables de corriente.

¡ATENCIÓN!

¡INFORMACIÓN IMPORTANTE PARA LOS INSTALADORES DE ESTE EQUIPO!

ESTE EQUIPO ESTÁ DISEÑADO PARA SER INSTALADO POR PERSONAL TÉCNICO CALIFICADO. EL NO INSTALARLO DE ACUERDO CON LOS CÓDIGOS ELÉCTRICOS NACIONALES Y LOCALES Y CON LAS RECOMENDACIONES ELÉCTRICAS DE FRANKLIN PUEDE PROVOCAR UN CHOQUE ELÉCTRICO O RIESGO DE INCENDIO, FUNCIONAMIENTO INSATISFACTORIO Y FALLO DEL EQUIPO. LA INFORMACIÓN DE INSTALACIÓN DE FRANKLIN ELECTRIC ESTÁ DISPONIBLE EN LOS FABRICANTES Y DISTRIBUIDORES DE LA BOMBA Y DIRECTAMENTE EN FRANKLIN ELECTRIC. LLAME SIN CARGO A FRANKLIN ELECTRIC AL 800-701-7894 PARA OBTENER INFORMACIÓN. GUARDE ESTA HOJA DE INFORMACIÓN CON EL EQUIPO PARA REFERENCIA FUTURA.



ADVERTENCIA

EL NO CONECTAR EL MOTOR, LAS CAJAS DE CONTROL, LAS TUBERÍAS METÁLICAS Y TODAS LAS DEMÁS PIEZAS METÁLICAS CERCA DEL MOTOR O DEL CABLE AL TERMINAL DE DESCARGA DE TIERRA DEL SUMINISTRO DE ENERGÍA USANDO UN CABLE DE CALIBRE NO MENOR AL DE LOS CABLES DEL MOTOR PUEDE CAUSAR UN CHOQUE ELÉCTRICO GRAVE O MORTAL. PARA REDUCIR EL RIESGO DE CHOQUE ELÉCTRICO, DESCONECTE LA CORRIENTE ANTES DE TRABAJAR EN EL SISTEMA DE AGUA O EN TORNO AL MISMO. NO USE EL MOTOR EN ÁREAS DE NADO.

REGISTROS DE INSTALACIÓN

Es buena idea mantener un registro preciso de su instalación. Asegúrese de registrar los siguientes datos:

Comprado en:			
Fecha de instalación:			
Modelo de la bomba*:			
Código de fecha de la bomba*:			
Diámetro interno del pozo (pulg/mm):			
Profundidad del pozo (pies/m):			
Profundidad del agua (pies/m):			
Ajuste de la bomba (pies/m):			
Tamaño del tubo de conducción:			
Tamaño del cable (de la bomba a la caja de control):			
Tamaño del cable (de la caja de control a la fuente de energía):			
Inclinación horizontal (entre el pozo y la casa):			
Marca del motor*			
Amperaje	HP	Voltaje	Fase
Marca de la caja de control			
HP		Voltaje	
Fuente de energía			
Voltaje		HZ	
Límites del interruptor de presión			
Valor de arranque (PSI)		Valor de apagado (PSI)	

*Esta información está en la etiqueta de la bomba o del motor y nos ayudará a identificar la bomba en caso de consultas posteriores.

FUNCIONAMIENTO DE PRUEBA

Si va a probar el funcionamiento de la bomba antes de la instalación:

1. Asegúrese de que la fuente de energía coincida con la que se muestra en la placa de identificación del motor y de la caja de control (si se requiere).
2. Instale la bomba y los componentes adecuados para la prueba como se muestra en la figura 1.
3. Asegúrese de que la fuente de energía esté apagada y que el cortacircuitos o interruptor de desconexión esté abierto. Haga las conexiones eléctricas adecuadas a su motor como se muestra en las figuras 2, 3 ó 4.
4. En un motor trifásico, use un arrancador magnético equipado con calentadores con compensación del ambiente de desconexión rápida del tamaño correcto para los caballos de fuerza del motor. Para asegurar

una rotación correcta de las unidades trifásicas, asegure firmemente con abrazaderas la caja de la bomba y aplique energía en forma momentánea activando y desactivando rápidamente el interruptor de línea. Si la rotación es la correcta, la reacción de la caja será en sentido horario cuando se mira desde el lado de descarga de la bomba (es decir, el eje de la bomba girará en sentido antihorario). Intercambie los dos conectores del arranque magnético para invertir la rotación.

- Haga funcionar la unidad del motor y la bomba durante algunos segundos para asegurarse de que esté funcionando correctamente.

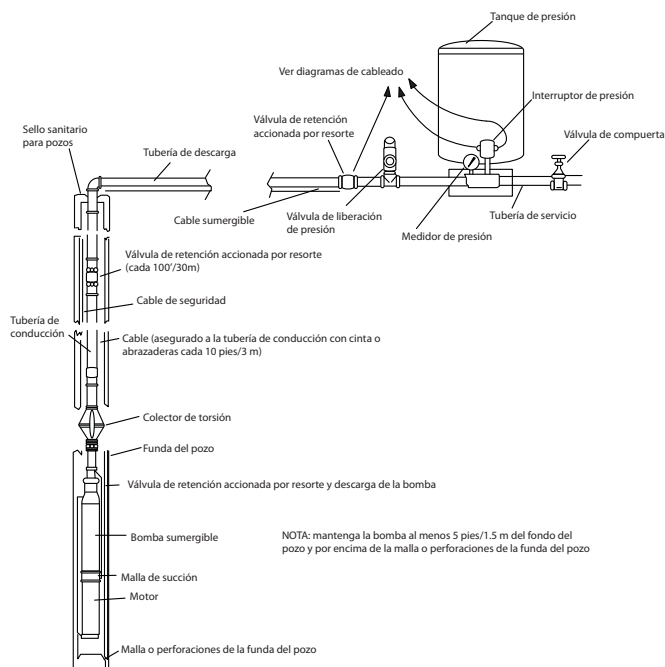


Figura 1
Diagrama de instalación

IDONEIDAD DEL POZO

Instale la bomba únicamente en un pozo que se haya desarrollado adecuadamente. El agua de un pozo sin desarrollar a menudo contiene una cantidad excesiva de arena, suciedad y abrasivos que pueden dañar a la bomba. Verifique que el pozo sea lo suficientemente grande como para permitir que la bomba se instale a la profundidad requerida. No instale la bomba por debajo de las perforaciones de la funda o de la malla del pozo a menos que haya hecho arreglos para asegurar un flujo de agua adecuado encima del motor para el enfriamiento del mismo. Determine la instalación correcta de la bomba basándose en el registro del perforador, tomando en cuenta el nivel de agua estática y el descenso del nivel a la velocidad de bombeo propuesta. Mantenga la bomba al menos a cinco pies del fondo de un pozo perforado.

EMPALME DE LOS CABLES DE ENERGÍA

Siga las instrucciones que se adjuntan en el juego de empalme del cable (se compra por separado).

TUBO DE CONDUCCIÓN

Se recomienda una tubería galvanizada para suspender las bombas sumergibles dentro del pozo. Se puede usar una tubería de plástico únicamente cuando se cumplan las recomendaciones del fabricante de la tubería de plástico con respecto a la profundidad y la presión. Dé especial importancia a lo siguiente:

- Un cable de seguridad para evitar la pérdida de la bomba si se llegara a romper la tubería.
- Un colector de torsión justo por encima de la bomba para evitar el desgaste del cable cuando la bomba y la tubería giren durante el ciclo de arranque y parada. (Vea la figura 1.)

Una tubería galvanizada cédula 40 es adecuada para instalaciones a 600 pies (180 m). Para instalaciones más profundas, use una tubería cédula 40 para los últimos 600 pies (180 m) y listado 80 para el resto.

Tenga especial cuidado de mantener las tuberías limpias y libres de guijarros, incrustaciones y rebabas. Haga conexiones firmes y herméticas en todos los acoples. Se recomienda el uso de sellador para tuberías.

VÁLVULAS DE RETENCIÓN

Muchas bombas tienen una válvula de retención incorporada o externa. Si la bomba no tiene una, instale una válvula de retención inmediatamente por encima de la bomba. Instale una válvula de retención adicional arriba del suelo. Si la bomba está a más de 100 pies (30 m) por debajo de la cabeza del pozo, instale otra válvula de retención en la tubería de conducción a 100 pies (30 m) por encima de ésta. Para instalar la bomba a una profundidad de más de 200 pies (60 m), instale válvulas de retención adicionales a intervalos de 100 pies (30 m).

VÁLVULA DE RETENCIÓN DE ASIENTO CÓNICO REMOVIBLE

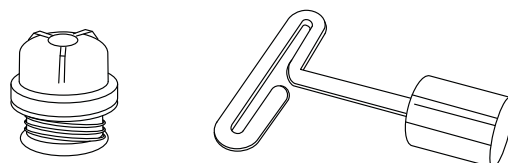
Las bombas sumergibles de 4 pulg (101.6 mm) con una descarga de 1-1/4 (3.75 mm) pulg se proporcionan con un ensamble de válvula de retención de asiento cónico removible de accionamiento por resorte. Esta válvula de retención se puede quitar de la descarga de la bomba cuando se desea el drenaje.



ADVERTENCIA El líquido que regresa a la bomba puede hacer que la bomba gire hacia atrás. Si la bomba o el motor arrancan en este momento, se puede dañar la bomba.

La válvula de retención se puede quitar usando una llave para válvula con mango en T (se compra por separado) o pinzas de punta fina estándar. El ensamble del asiento cónico tiene el roscado hacia la izquierda y se quita girando en sentido horario (hacia la derecha).

Cuando vuelva a instalar la válvula de retención de asiento cónico, apriétela a una torsión de 15 pulgadas-libras (1.69 Nm).



Ensamble del asiento cónico Llave para válvula con mango en T

INSTALACIÓN DE LA BOMBA, LA TUBERÍA DE CONDUCCIÓN Y EL EQUIPO ASOCIADO

La figura 1 ilustra una instalación de pozo típica mostrando los componentes dentro del suelo. Cumpla los siguientes pasos cuando instale la bomba y la tubería de conducción:

1. Ajuste el cable sumergible a la tubería de conducción usando abrazaderas o cinta adecuada cada 10 pies (3 m) para evitar que el cable se enrede y se dañe. El cable debe permanecer holgado cuando use una tubería de conducción de plástico para permitir el estiramiento de la tubería cuando se instala en el pozo.
2. Tenga cuidado de no raspar ni pellizcar el cable sumergible contra las paredes del pozo.
3. Use un ohmímetro o megaóhmetro para realizar las verificaciones de aislamiento y continuidad en el cable una vez que la bomba esté instalada. Esto localiza cualquier falla en el cable.
4. Asegúrese de que haya instalada una válvula de retención inmediatamente por encima de la bomba. Instale válvulas de retención adicionales a intervalos de 100 pies (30 m).
5. Instale un colector de torsión justo por encima de la bomba para evitar el desgaste del cable cuando la bomba y la tubería giren durante el arranque y la parada.
6. Instale un cable de seguridad a la bomba para evitar la pérdida de la bomba si se llegara a romper la tubería.
7. Coloque un sello sanitario para pozos o adaptador deslizante de derivación con una cubierta aprobada para la parte superior del pozo, según las recomendaciones de los fabricantes.
8. Mantenga la bomba al menos 5 pies (1.5 m) desde el fondo del pozo y por encima de la malla del pozo o perforaciones de la funda.

INFORMACIÓN ELÉCTRICA

1. Contrate a un electricista certificado para realizar el cableado. Todo el cableado se deberá realizar de acuerdo con los códigos eléctricos nacionales y locales vigentes.
2. Verifique que la fuente de energía coincida con la corriente nominal del motor sumergible y de la caja de control (si se requiere). Asegúrese de que la corriente nominal de la caja de control coincida con la corriente nominal del motor.
3. Cada instalación en particular requiere un interruptor de desconexión con fusible o un cortacircuitos.
4. Todas las instalaciones deben estar conectadas a tierra. Debe haber una conexión de descarga a tierra confiable entre la bomba y el panel de distribución. Las conexiones del motor incorporan un conductor verde para la conexión de descarga a tierra.
5. Los pararrayos se recomiendan para todas las instalaciones. Todos los motores monofásicos de acero inoxidable de hasta 5 HP tienen pararrayos incorporados. Los motores trifásicos requieren que se instale un pararrayos independiente lo más cerca posible de la cabeza del pozo. Instale el pararrayos de acuerdo con las recomendaciones del fabricante. Los

pararrayos proporcionan protección únicamente contra sobretensiones inducidas en líneas de energía secundarias, no son eficaces contra impactos directos.

6. Instale la caja de control en un área protegida de la lluvia, la nieve, la luz solar directa y otras fuentes de alta temperatura ya que esto puede provocar que el protector de sobrecarga se dispare. También proteja la caja de control del frío extremo (menos de 25 °F/-32 °C) ya que esto puede tener efectos adversos sobre el condensador de arranque.
7. Una bomba de dos cables no requiere una caja de control del motor; todos los componentes eléctricos están incluidos dentro del motor. La figura 2 muestra un diagrama de cableado típico para una instalación de dos cables.

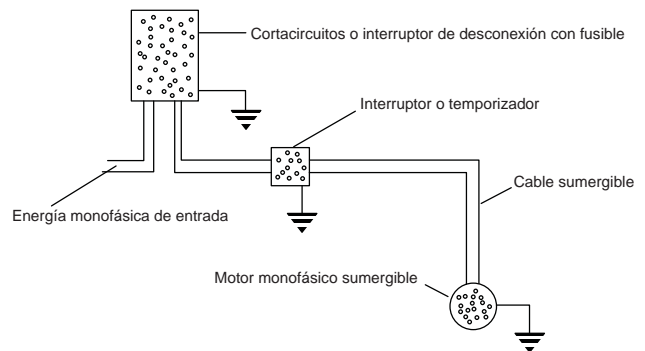


Figura 2
Diagrama de cableado de una bomba monofásica de 2 cables, 1/3 a 1-1/2 HP

8. Una bomba monofásica de tres cables requiere una caja de control del motor que incorpore relés de sobrecarga. La figura 3 muestra un diagrama de cableado típico para una instalación monofásica de tres cables. Tenga en cuenta que se debe usar un contactor magnético si la corriente nominal del interruptor de presión no es suficiente para manejar la corriente nominal del motor sumergible. El interruptor de presión debería ser entonces incorporado en un circuito piloto para controlar el contactor magnético. Realice las conexiones en la caja de control de acuerdo con el diagrama de cableado que se encuentra en la caja de control para evitar daños al motor.

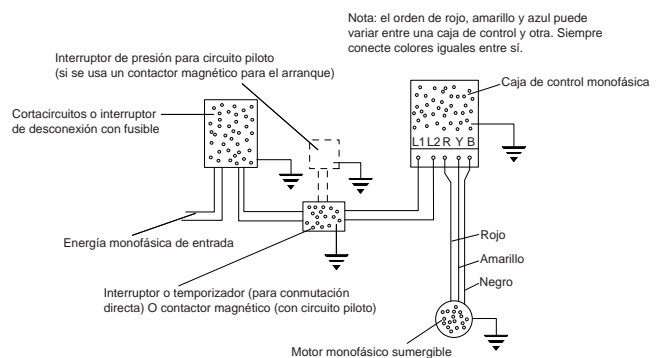


Figura 3
Diagrama de cableado de una bomba monofásica de 3 cables, 1/3 a 15 HP

9. Una bomba trifásica de tres cables no requiere una caja de control del motor. La figura 4 muestra un diagrama de cableado típico para una instalación trifásica de tres cables. Se debe usar un contactor magnético con protección de tres clavijas y relés de sobrecarga de compensación ambiente de disparo rápido.

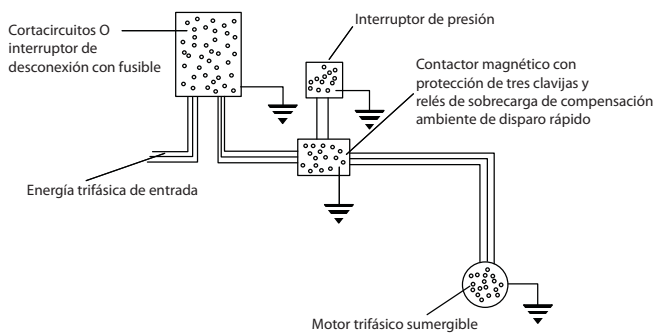


Figura 4
Diagrama de cableado de una bomba trifásica de 3 cables, 1-1/2 a 50 HP

10. Use un ohmiómetro para realizar verificaciones de continuidad y aislamiento después de completada la instalación.
11. Coloque la placa adicional de identificación de la bomba sobre la etiqueta sumergible y coloque ambas sobre el interruptor de desconexión o la caja de cortacircuitos para referencia futura.

PRUEBA DEL POZO

Compruebe el rendimiento de la bomba y el pozo antes de llevar a cabo la conexión final del sistema de descarga.

1. Instale una válvula de compuerta en el extremo de la tubería. Abra parcialmente la válvula.
2. Arranque la bomba.
3. Abra la válvula gradualmente para dar un flujo completo.
4. Si el agua de descarga está turbia, deje funcionar la bomba hasta que el agua se aclare. Si el agua no se aclara en 30 minutos, detenga la bomba y tome los pasos necesarios para corregir este problema. Después de que el agua salga transparente, compruebe que no haya arena, recogiendo el agua en un balde limpio u otro recipiente adecuado.
5. Cierre la válvula hasta lograr el máximo caudal del sistema requerido. Esto debería corresponder a la presión de corte del interruptor de presión. Asegúrese de que la salida de la bomba en este valor no sea mayor que el rendimiento del pozo. Esto se puede comprobar controlando el nivel de descenso del pozo y asegurándose de que el nivel se mantenga estable con el máximo caudal del sistema requerido.

PRECAUCIÓN Nunca haga funcionar la bomba a menos que esté totalmente sumergida en el agua. Si funciona sin agua, la bomba y el motor se podrían dañar. También tenga en cuenta que el aire succionado hacia la bomba podría provocar una disminución o parada del flujo debido a una bolsa de aire en ciertas circunstancias.

POZO DE BAJO RENDIMIENTO

Un pozo de bajo rendimiento existe cuando la salida de la bomba es mayor que el rendimiento del pozo. Puede reducir el nivel de agua hasta la malla de succión provocando que entre una mezcla de aire y agua a la bomba. El bombeo puede detenerse debido a que la bomba no puede generar presión con una cantidad de agua insuficiente. En este caso, la columna de agua que ya se encuentra en la tubería de conducción mantiene cerrada la válvula de retención y se puede desarrollar una bolsa de aire dentro de la bomba. Debido a que estas condiciones no aseguran una lubricación adecuada de la bomba ni un enfriamiento adecuado del motor, se pueden provocar daños si la corriente no se corta rápidamente. Use uno o más de los siguientes métodos para corregir y/o proteger esta instalación.

1. Instale un largo adicional de tubería de conducción para colocar la bomba más abajo en el pozo, si fuera posible.
2. Instale un sensor Franklin Pumptec o sensor electrónico de nivel de agotamiento similar.
3. Instale un control de nivel de líquido sin flotador. Este dispositivo consiste de un relé eléctrico activado por las corrientes que fluyen a través de los circuitos de retorno a tierra de los electrodos colgados en el pozo. El electrodo más bajo (parada), justo encima de la bomba, asegura que el nivel del agua nunca pueda ser bombeado hasta la malla de succión. El electrodo superior (arranque), justo debajo del nivel de agua estática más bajo, asegura que la bomba pueda arrancar nuevamente en cuanto se recupere el pozo. Este control de nivel de líquido sin flotador funciona en serie con el interruptor de presión. Consulte las instrucciones del fabricante proporcionadas con el control.
4. Instale una válvula de control de flujo en la línea de descarga corriente arriba del interruptor de presión. Esto limita la salida de la bomba sin afectar la velocidad con la que se puede succionar el agua desde el tanque de presión. Sin embargo, una gran demanda de agua podría vaciar el tanque de presión, por lo que se recomienda un tanque con un diafragma ligado, cámara de aire o bolsa de agua.
5. Instale una bomba más pequeña para evitar el bombeo excesivo del pozo. Haga que el vendedor adecue el tamaño de la bomba de acuerdo al rendimiento del pozo.
6. Instale un interruptor de corte por baja presión o un interruptor de presión con dicha disposición incorporada. Esto evita que una bomba de pozo de poca profundidad se descebe, pero no siempre proporciona una protección satisfactoria para una bomba sumergible contra los efectos de un bombeo excesivo del pozo. Esto se debe a que responde a la pérdida de presión en la superficie, lo que puede ocurrir después de haberse formado una bolsa de aire dentro de la bomba. Se recomienda ya sea un control de nivel de líquido sin flotador o una válvula de control de flujo en lugar de un interruptor de corte por baja presión como protección contra el bombeo excesivo.

TUBERÍA DE DESCARGA

La figura 1 ilustra una instalación de pozo típica mostrando los componentes encima del suelo. Consulte la figura 1 y los pasos siguientes cuando instale la tubería de descarga.

1. Instale una válvula de retención sobre el nivel del suelo corriente arriba desde el interruptor de presión.
2. Siempre instale una válvula de alivio de presión en el sistema. La válvula de alivio de presión debería ser capaz de descargar el caudal de la bomba a la presión de trabajo nominal para el tanque de presión. Ubique la válvula de alivio de presión cerca del tanque de presión.
3. Instale un interruptor de presión entre la válvula de retención y el tanque de presión. Consulte las figuras 2, 3 ó 4 para las conexiones adecuadas de cableado para el interruptor de presión.
4. Instale un tanque de presión lo más cerca posible del interruptor de presión. Consulte las recomendaciones del fabricante para su instalación.

INSTALACIÓN EN UN LAGO O CORRIENTE DE AGUA

Generalmente una bomba sumergible está aislada en el fondo de un pozo, donde las fugas eléctricas de su motor y su cable no representan un riesgo para la vida. Esta protección natural se pierde cuando se instala en un lago, laguna, río, arroyo o fuente ya que no hay forma de evitar que las personas y animales ingresen o toquen el agua que la rodea. Se recomienda que dicha instalación sea realizada por un electricista certificado de acuerdo con todos los códigos eléctricos nacionales y locales. La conexión de descarga a tierra tal como se describe en este manual es una exigencia mínima, y se recomienda el uso de un interruptor con protección contra fuga a tierra (GFCI). Pero en la ausencia de regulaciones explícitas nacionales o locales, consulte al proveedor de servicios públicos de electricidad para obtener asesoramiento. En cualquier caso, apoye la bomba en la costa o fondo a una inclinación de 15° para asegurar una adecuada lubricación de los cojinetes del motor. Proteja la bomba contra el contacto físico directo de personas y animales. Proteja e instale una malla en la entrada de la bomba para evitar que se obstruya con hojas y hierbas, pero recuerde la necesidad de un flujo de agua adecuado sobre el motor para su enfriamiento. Además proteja toda la instalación debajo del agua contra corrientes de agua, hielo, embarcaciones, anclas, desperdicios, vandalismo y otros riesgos.

DETECCIÓN Y SOLUCIÓN DE PROBLEMAS

1. LA BOMBA NO ARRANCA

- a) Problema eléctrico – llame al vendedor o a un electricista
- b) El dispositivo de protección de agotamiento apagó la bomba
- c) Disparo por sobrecarga
- d) Reajuste el interruptor de corte por baja presión (si está instalado)

2. LA BOMBA NO SUMINISTRA AGUA

- a) Bolsa de aire en la bomba
- b) Malla de entrada obstruida
- c) Rendimiento insuficiente del pozo

3. LA SALIDA DE LA BOMBA ES REDUCIDA

- a) Rendimiento insuficiente del pozo
- b) Bomba desgastada
- c) Malla de entrada obstruida
- d) Voltaje bajo
- e) Rotación incorrecta (sólo en trifásicas)

4. LA BOMBA SE ENCIENDE Y APAGA CON DEMASIADA FRECUENCIA

- a) Caída excesiva de presión entre el interruptor de presión y el tanque de presión
- b) La presión de corte en el tanque de presión es demasiado alta
- c) La presión de corte en el tanque de presión es demasiado baja
- d) Tanque de presión inundado
- e) Los electrodos de arranque y parada del control de nivel de líquido sin flotador están demasiado cerca entre sí
- f) El tamaño del tanque es demasiado pequeño para cumplir con los requisitos del sistema

5. DISPARO POR SOBRECARGA

- a) Problema eléctrico – llame al vendedor o a un electricista

6. EL INTERRUPTOR DE PRESIÓN SE ENCIENDE Y APAGA MUY RÁPIDO CUANDO ARRANCA LA BOMBA

- a) El interruptor de presión está demasiado lejos del tanque de presión
- b) Carga de aire inadecuada del tanque - ajuste según las recomendaciones del fabricante

GARANTÍA LIMITADA PARA LOS EE.UU.

Franklin Electric Company, Inc.

Franklin Electric Company, Inc. garantiza que sus productos nuevos estarán libres de defectos en los materiales y la mano de obra durante un período de 1 año a partir de la fecha de instalación o de 2 años a partir de la fecha de fabricación, la que ocurra primero, CUANDO se instalen en sistemas de agua de aplicación doméstica y para bombear agua potable únicamente. La garantía no cubre aplicaciones para el bombeo de agua salada u otros líquidos corrosivos. Consulte y cumpla con los códigos locales para todas las aplicaciones. Franklin Electric también proporciona una cobertura de garantía adicional sobre productos específicos según se especifica aquí.

La obligación de la garantía de Franklin Electric con respecto al equipo que no sea de su fabricación está limitada a la garantía otorgada a Franklin Electric por parte de sus proveedores.

Esta garantía se extiende únicamente al comprador original y sólo durante el tiempo en el que el comprador original ocupe el sitio donde se instaló originalmente el producto.

Las solicitudes de servicio bajo esta garantía deberán realizarse poniéndose en contacto con el vendedor de instalación de Franklin Electric (lugar de compra) lo antes posible después de descubrir el presunto defecto. Franklin Electric tomará luego las acciones correctivas lo más oportuna y razonablemente posible.

Franklin Electric, según su criterio, puede reemplazar o reparar cualquier producto que falle y esté cubierto por esta garantía después de la inspección del mismo por parte de un representante autorizado de la compañía o después de que Franklin Electric haya recibido el producto en su fábrica. El reemplazo o la reparación no se podrá realizar hasta después de inspeccionado el producto. Todos los cargos y gastos de envío desde y hacia la fábrica, los cargos y gastos de remoción y reinstalación del producto o de instalación de un producto de reemplazo son responsabilidad del comprador.

ESTA GARANTÍA SUSTITUYE A CUALQUIER GARANTÍA NO FECHADA O QUE TENGA UNA FECHA ANTERIOR. TODA GARANTÍA IMPLÍCITA QUE PUEDA TENER EL COMPRADOR, INCLUIDAS LAS GARANTÍAS DE COMERCIABILIDAD E IDONEIDAD PARA UN PROPÓSITO EN PARTICULAR, NO SE EXTENDERÁN MÁS ALLÁ DEL PERÍODO APLICABLE DE LA GARANTÍA. Algunos estados no permiten limitaciones sobre la duración de las garantías implícitas, por lo que la limitación anterior puede no corresponder en su caso. EN NINGÚN CASO, FRANKLIN ELECTRIC SERÁ RESPONSABLE POR DAÑOS INCIDENTALES O INDIRECTOS. Algunos estados no permiten la exclusión o limitación de daños incidentales o indirectos, por lo que lo anterior puede no corresponder en su caso.

Esta garantía no cubre ningún producto que haya sido sometido a negligencia, alteración, accidente, maltrato, uso inadecuado, instalación inadecuada, vandalismo, disturbios públicos o catástrofes naturales. Las únicas garantías autorizadas por Franklin Electric son las que se establecen aquí. Franklin Electric no autoriza a ninguna otra persona a emitir ninguna garantía con respecto a sus productos, ni tampoco Franklin Electric asume ninguna responsabilidad por cualquier garantía no autorizada en conexión con la venta de sus productos.

ESTA GARANTÍA LE OTORGA A USTED DERECHOS LEGALES ESPECÍFICOS Y ES POSIBLE QUE USTED TAMBIÉN TENGA OTROS DERECHOS QUE PUEDEN VARIAR DE UN ESTADO A OTRO.



Franklin Electric

P. O. Box 12010
Oklahoma City, OK 73157-2010

Para obtener piezas de repuesto o reparaciones, póngase en contacto con 1.888.572.9933

Para obtener asistencia técnica, póngase en contacto con 1.888.956.0000

**www.LittleGiantPump.com
CustomerService-WTS@fele.com**
