

HVAC

CK-5 Series



Applications

- Replacement units for OEM pumps in coolers up to 5,000 cfm

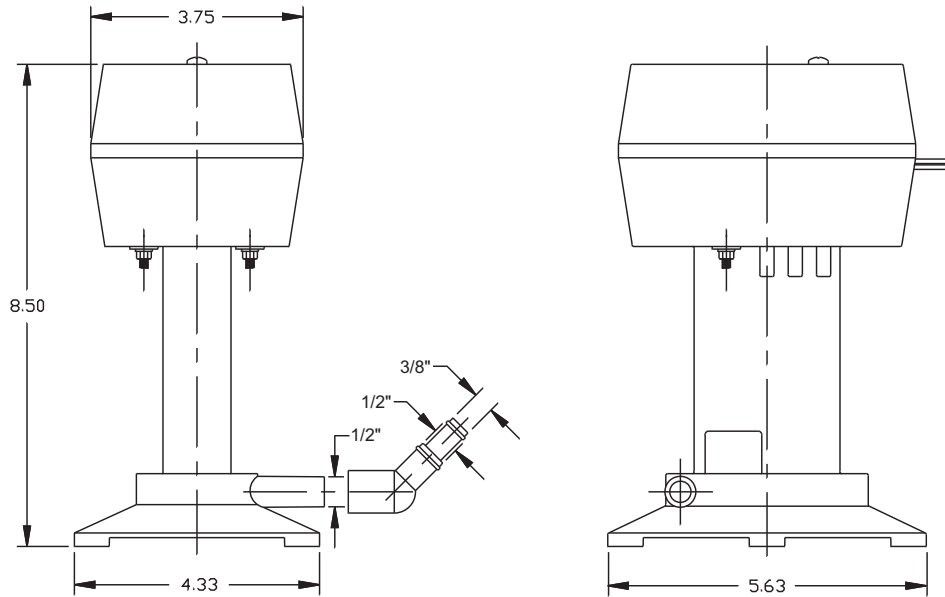
Features

- Removable parts for easy cleaning
- Corrosion resistant polystyrene housing
- 3' Power cord w/o plug
- Thermally protected

Construction

- Motor — 1/150 HP
- Intermittent Liquid Temp. up to — 120° F
- Discharge — 3/8" and 1/2" Barbed
- Housing — Polystyrene
- Cover — Polystyrene
- Volute — Polystyrene
- Impeller — Polyester
- Screen — Polystyrene

Engineering Data



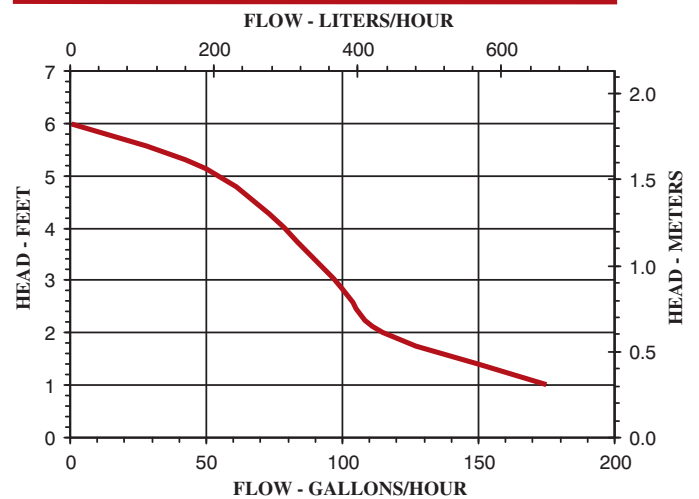
Specifications

Model No.	Item No.	Discharge Size	HP	Volts	Hertz	Amps	Watts	Performance (GPH@Head)			Shutoff		Cord Length (ft.)	Weight (lbs.)
								1'	3'	5'	Ft.	P.S.I.		
CK-5	537204	3/8" and 1/2" Barbed	1/150	115	60	0.6	30	175	97	55	6	2.7	3	2.00
CK-5	537500	3/8" and 1/2" Barbed	1/150	127	60	0.6	30	175	97	55	6	2.7	3	2.00

Replacement Parts

Item	Part Number
Impeller	137042
Volute Plate	137021

Performance Data



Performance values without elbow



Franklin Electric

P.O. Box 12010
 Oklahoma City, OK 73157-2010
 Phone: 1.800.701.7894
 Fax: 1.800.678.7867
 www.LittleGiantPump.com