

# Wastewater

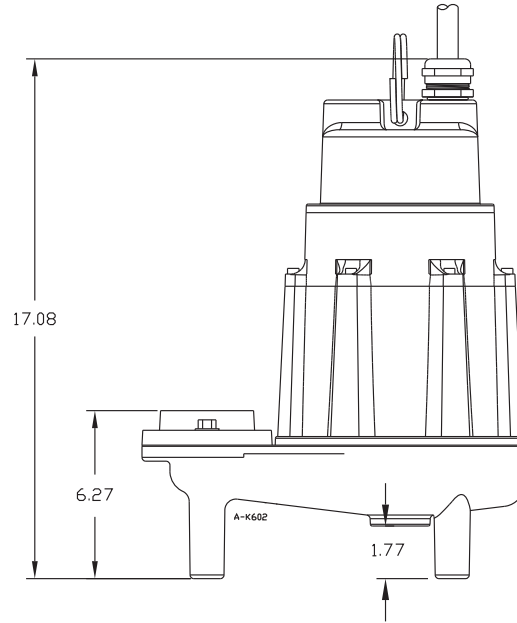
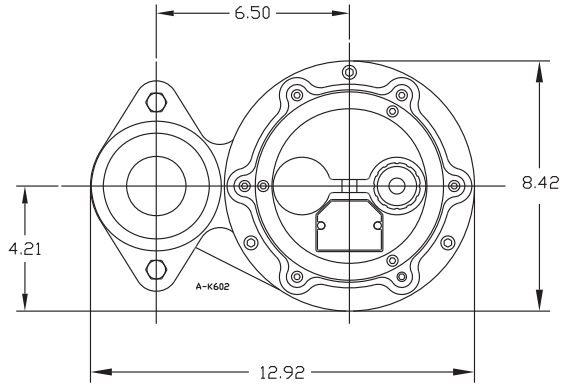
## 20E Series



### Features

- Handles liquids and solid waste materials up to 3/4" diameter.
- Cast iron pump housing with protective epoxy coating for corrosion resistance
- Oil-filled motor housing for lifetime lubrication and rapid heat dissipation
- Stainless steel screws, bolts and seal assembly
- Mechanical seal (stainless steel spring, nitrile parts, carbon and ceramic faces) for long life and reliability
- 2 HP ball bearing motor
- Thermal overload protection on single phase units
- Capacitor & power cord isolated from oil-filled motor housing for ease of field maintenance
- Brass impeller
- Exclusion Seal

## Dimensional Outline



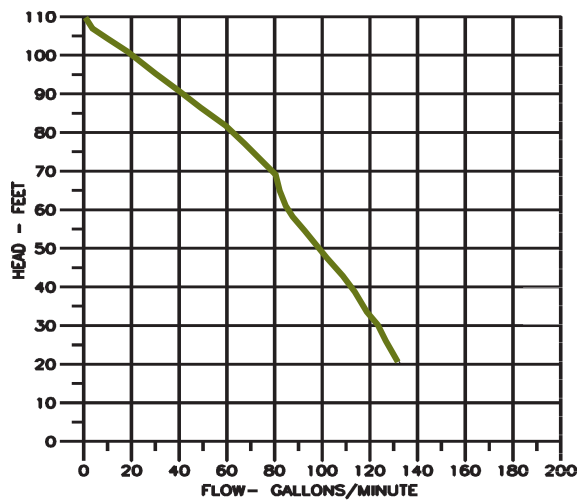
## Specifications

Model No.	Item No.	Listing(s)	HP	Volts	Hz.	Ph.	Amps R	Motor RPM	Performance (GPM@Head)						Discharge Size (dia. in.)	Shutoff		Cord Length (ft.)	Weight (lbs.)	Dimensions H x L x W (in.)
									10'	20'	30'	40'	50'	60'		Ft.	P.S.I.			
20E-CIM	520200	UL/CSA	2	230	60	1	16.4	2900	N/R	135	125	110	98	89	2" FNPT	110	47.6	20	92	17.08 x 12.92 x 8.42
20E-CIM	520225	UL/CSA	2	200-208	60	3	13.1	3100	N/R	135	125	110	98	89	2" FNPT	110	47.6	20	92	17.08 x 12.92 x 8.42
20E-CIM	520250	UL/CSA	2	230	60	3	11.6	3100	N/R	135	125	110	98	89	2" FNPT	110	47.6	20	92	17.08 x 12.92 x 8.42
20E-CIM	520275	UL/CSA	2	460	60	3	5.7	3200	N/R	135	125	110	98	89	2" FNPT	110	47.6	20	92	17.08 x 12.92 x 8.42
20E-CIM	520230	UL/CSA	2	230	60	1	16.4	3872	N/R	135	125	110	98	89	2" FNPT	110	47.6	30	93.5	17.08 x 12.92 x 8.42

## Construction

Cover	Epoxy-coated cast iron
Motor Housing	Epoxy-coated cast iron
Impeller Material	Red brass
Impeller Type	Vortex
Volute	Epoxy-coated cast iron
Power Cord	14/3, SOW
Mechanical Shaft Seal	Carbon/Ceramic
Fasteners	Stainless Steel
Shaft	Stainless Steel
Bearings	Upper and lower ball bearings

## Flow Curve



**PUMP PERFORMANCE CURVE**  
230V 60HZ



**Franklin Electric**

P.O. Box 12010  
Oklahoma City, OK 73157-2010  
Phone: 1.800.701.7894  
Fax: 1.800.678.7867  
www.LittleGiantPump.com

