

Little GIANT®

PES-100-PW SERIES



Features

- Energy efficient
- Corrosion resistant body
- Built-in flow control
- 6' power cord
- 4' maximum lift
- 5 watts
- Discharge accepts 3/8" or 1/2" I.D. tubing

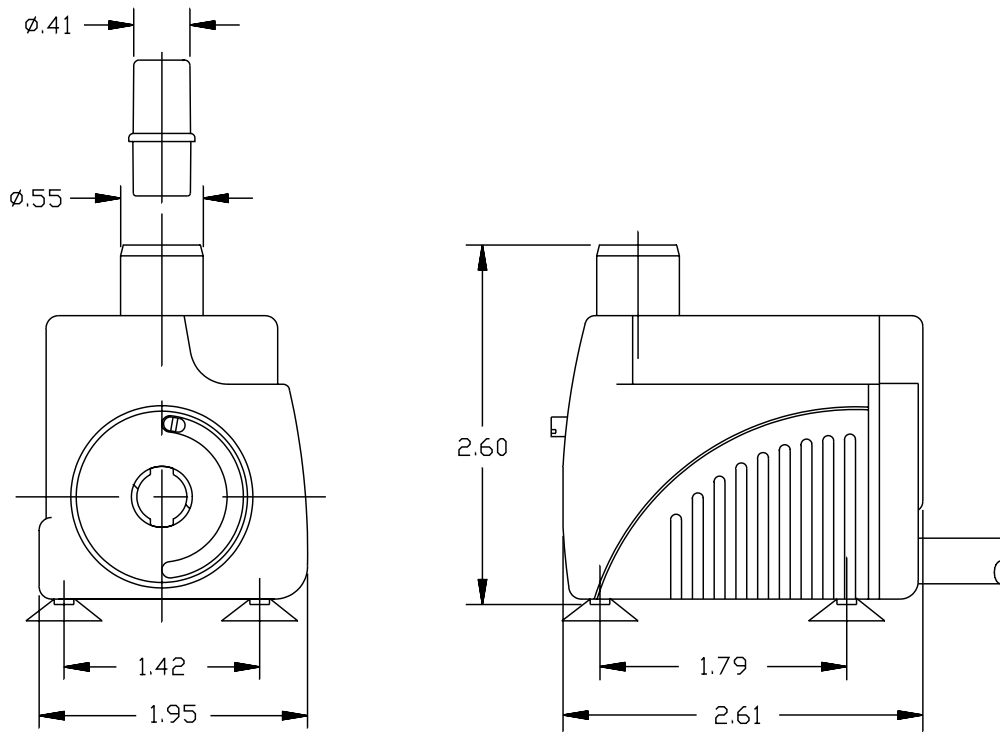
Construction

- Motor — Wet-rotor (hysteresis) epoxy encapsulated
- Intermittent Liquid Temp. up to — 120°F
- Discharge — 3/8" or 1/2" slip
- Housing — Glass filled polyester
- Cover — Glass filled polyester
- Volute — ABS
- Impeller — Polyester
- Screen — ABS



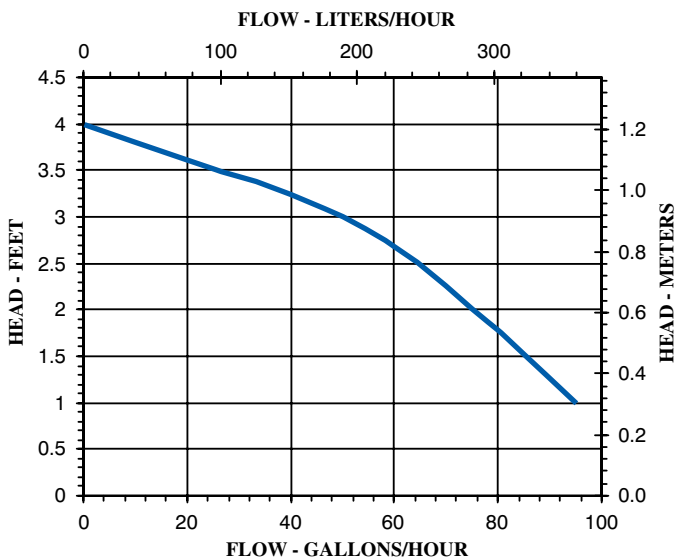
This wet-rotor pump, often referred to as a magnetic-drive pump by other manufacturers, utilizes an epoxy-encapsulated motor and plastic housing. A permanent magnet is attached to the impeller. The magnet acts as the rotor would in a conventional motor. The water being pumped surrounds the rotor, thus the term “wet-rotor”. It is seal-less and oil-less. This pump works well in water garden, statuary and some industrial applications. It is compact in design and is the most energy efficient type of pump Little Giant manufactures. The other side of this efficiency is very little starting torque. Therefore, the pump does not produce as much pressure and will not pump water as high as its epoxy-encapsulated, direct-drive counterpart.

PES-100-PW SERIES



Specifications

Model No.	Item No.	Discharge Size	Listings	HP	Volts	Hertz	Amps	Watts	Performance (GPH@Head)		Shutoff		Cord Length (ft.)	Weight (lbs.)
									1'	3'	Ft.	P.S.I.		
PES-100-PW	566605	3/8" or 1/2" Slip	UL/CSA	N/A	115	60	0.1	5	95	50	4	1.7	6	1.20
PES-100	519580	3/8" or 1/2" Slip	UL/CSA	N/A	115	60	0.1	5	95	50	4	1.7	6	1.20



Replacement Parts

Filter, Foam	119551
Plate, Filter	119552
Impeller Assy	599089
Screen	119554
Volute/Plate	119556
Feet/Discharge	119557