

# Little GIANT<sup>®</sup>

## Pump Company

### 35-0M SERIES



#### Features

- High-pressure (35 PSIG)
- Nylon pump head
- Ryton<sup>®</sup> impeller
- Carbon/Ceramic shaft seal
- 3/8" Barbed intake & discharge
- 1/4" Barbed By-pass adapter
- Double-insulated motor

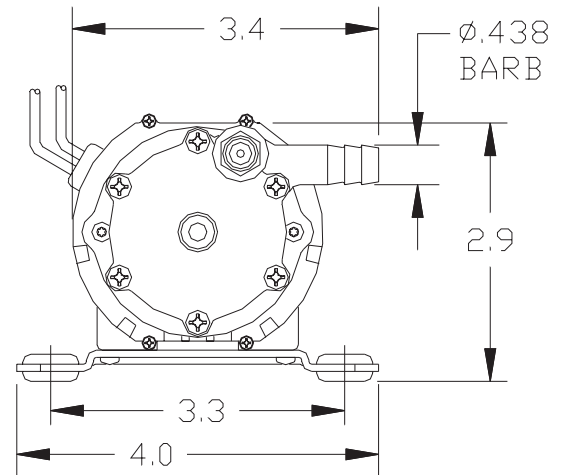
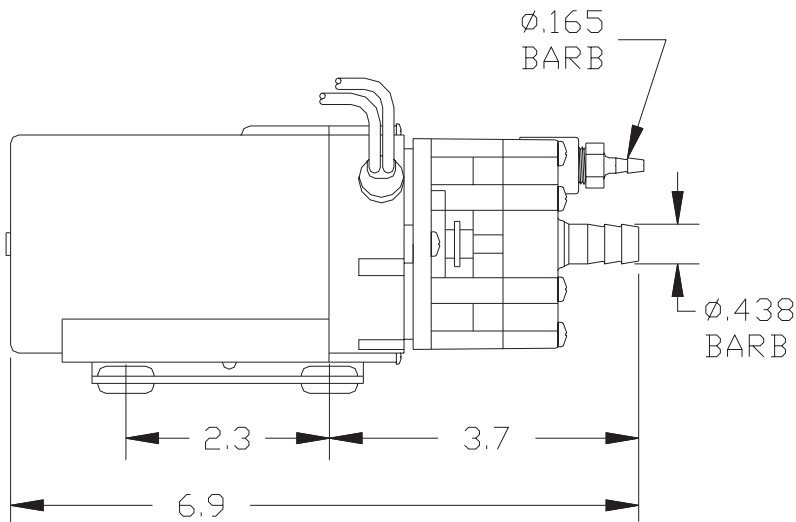
#### Construction

- Motor — 1/11 HP
- Intermittent Liquid Temp. up to — 120° F
- Intake — 3/8" O.D.
- Discharge — 3/8" O.D.
- Housing — Nylon
- Cover — N/A
- Volute — Nylon
- Impeller — Ryton<sup>®</sup>
- Shaft Seal — Carb/Ceram

Non-submersible, high pressure pump for carpet cleaners, dispenser-displays and pressure-washer applications. Nylon pump head, Ryton<sup>®</sup> impeller, 3/8" barbed O.D. intake and discharge connections. 1/4" barbed O.D. by-pass adapter included. Double-insulated motor (non-replaceable brushes last 500 to 1,000 hours) with 94-V-O thermoplastic housing.

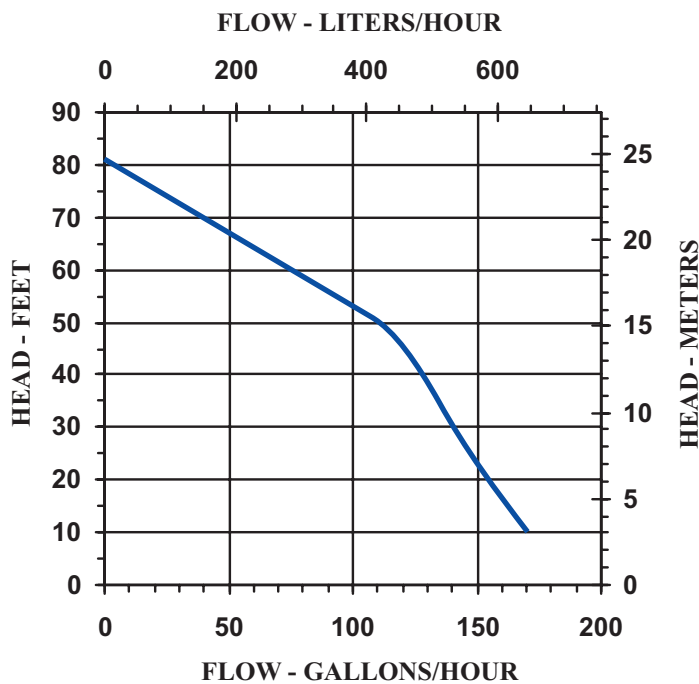
# Little Giant Pump Co.

## 35-OM SERIES



### Specifications

| Model No. | Item No. | Discharge   | Intake      | Listings | HP   | Volts | Hertz | Amps | Watts | Performance (GPH @ Head) |     |     | Shut Off |      | Pwr. Cord (ft) | Weight (Lbs.) |
|-----------|----------|-------------|-------------|----------|------|-------|-------|------|-------|--------------------------|-----|-----|----------|------|----------------|---------------|
|           |          |             |             |          |      |       |       |      |       | 10'                      | 30' | 50' | Feet     | PSI  |                |               |
| 35-OM     | 532002   | 3/8" Barbed | 3/8" Barbed | UR       | 1/11 | 115   | 60    | 1.25 | 132   | 170                      | 140 | 110 | 81       | 35.1 | 2              | 2.70          |
| 35-OM     | 532012   | 3/8" Barbed | 3/8" Barbed |          | 1/11 | 230   | 50/60 | 0.6  | 132   | 170                      | 140 | 110 | 81       | 35.1 | 2              | 2.70          |



### Replacement Parts

|              |        |
|--------------|--------|
| Volute       | 132101 |
| Impeller     | 599106 |
| Washer       | 921066 |
| Hose Adaptor | 941034 |
| Bypass Cap   | 132410 |
| Motor Base   | 132005 |
| Grommet      | 925008 |

**Little Giant Pump Co.**  
 PO Box 12010  
 Okla. City, OK 73157  
 Phone: 405.947.2511  
 Fax: 405.228.1550  
[www.LittleGiantPump.com](http://www.LittleGiantPump.com)