

Little GIANT[®]

NK-2 SERIES



Features

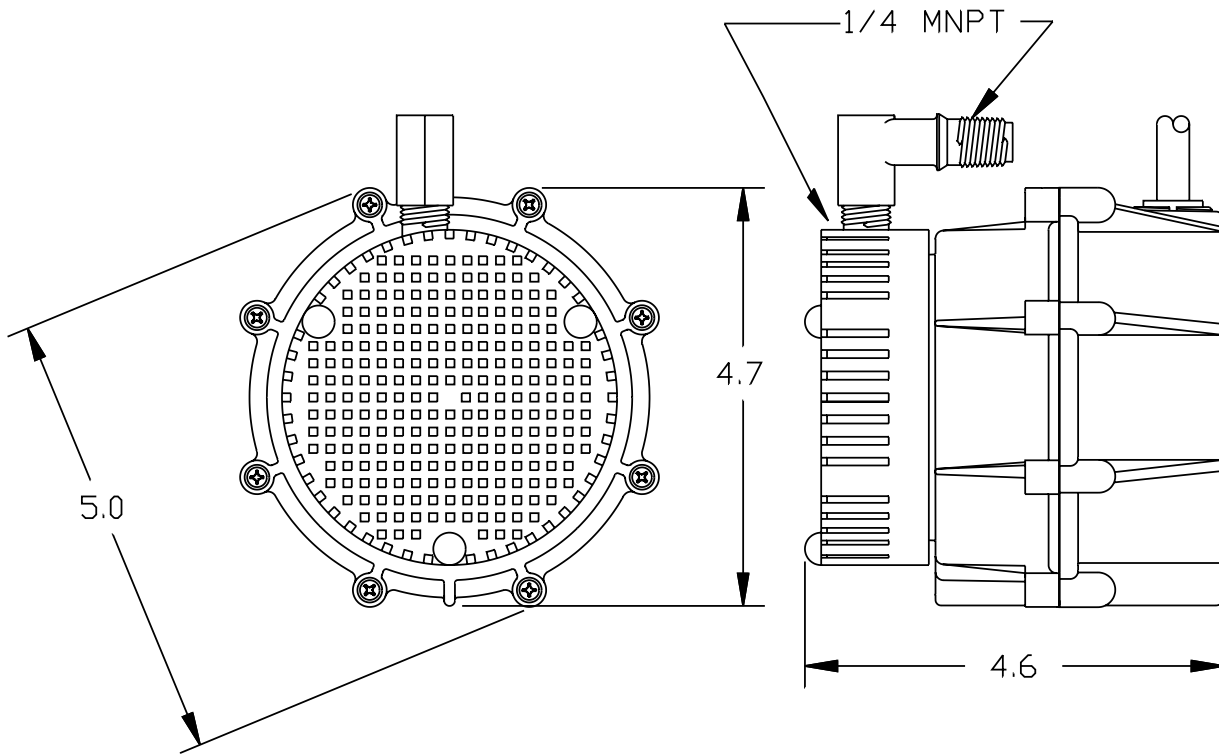
- Corrosion resistant nylon body
- Oil-filled motor
- 12.3' maximum lift
- 100 watts
- 1/4" MNPT discharge
- Thermal overload protection
- For submersible use only

Construction

- Motor — 1/40 HP oil filled
- Intermittent Liquid Temp up to — 120°F
- Intake — N/A
- Discharge — 1/4" MNPT
- Housing — Nylon
- Cover — Nylon
- Volute — Nylon
- Impeller — Nylon
- Shaft Seal — Viton[®]
- Screen — Polypropylene

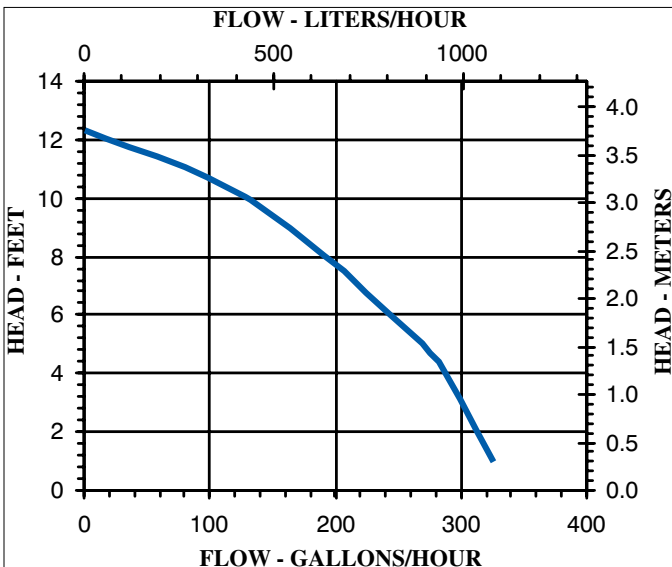
Small submersible oil-filled pump with corrosion resistant nylon housing. For commercial, industrial and home applications including statuary fountains, water displays, air conditioners, machine tool coolants, and many other applications where liquid must be transferred or recirculated. This compact 325 GPH pump features a 1/4" MNPT discharge, 12.3' shut-off head capability, and screened inlet.

NK-2 SERIES



Specifications

Model No.	Item No.	Discharge Size	HP	Volts	Hertz	Amps	Watts	Performance (GPH@Head)				Shutoff		Cord Length (ft.)	Weight (lbs.)
								1'	3'	5'	10'	Ft.	P.S.I.		
NK-2	527003	1/4" MNPT	1/40	115	60	1.7	100	325	300	270	130	12.3	5.3	6	4.50
NK-2	527016	1/4" MNPT	1/40	230	50/60	.9/.7	100	325	300	270	130	12.3	5.3	12	4.83
NK-2	527176	1/4" MNPT	1/40	115	60	1.7	100	325	300	270	130	12.3	5.3	18	5.17



Replacement Parts

Volute	116375
Impeller	116437
Screen	101376
Seal Ring	928007
Backplate	126377
Elbow	943076