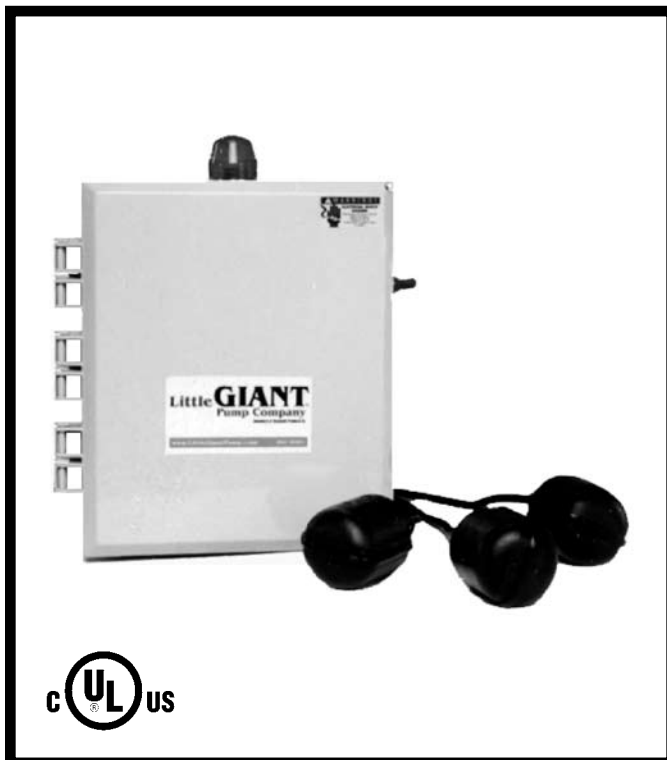


Little GIANT®

3 PHASE SIMPLEX ALARM SYSTEM & PUMP CONTROL



Applications

- Lift pump chambers
- Sump pump basins
- Holding tanks
- Sewage and water removal systems

Features

- Controls the pump and warns of high liquid levels
- Easy to install
- Thermoplastic enclosure
- HOA switch allows for “Hand” (manual), “Off” or “Automatic” operation
- Alarm ON/OFF switch controls power to the float circuitry; this and the pump HOA switch provide an additional safety feature when servicing
- Entire unit UL listed and tested by UL to CSA standards

Specifications

- NEMA 4X indoor/outdoor waterproof thermoplastic enclosure
- Non-corrosive plastic floats for use in liquids up to 140°F
- Sensor float cables — 18 gauge, 2 conductor (UL, CSA) SJOW, WATER RESISTANT (CPE)

General Description

The Simplex Alarm System/Pump Control provides residential and commercial customers with a reliable means of controlling a simplex (one pump) system in a water or sewage installation. The system consists of a single control panel and three easily installed sensor floats.

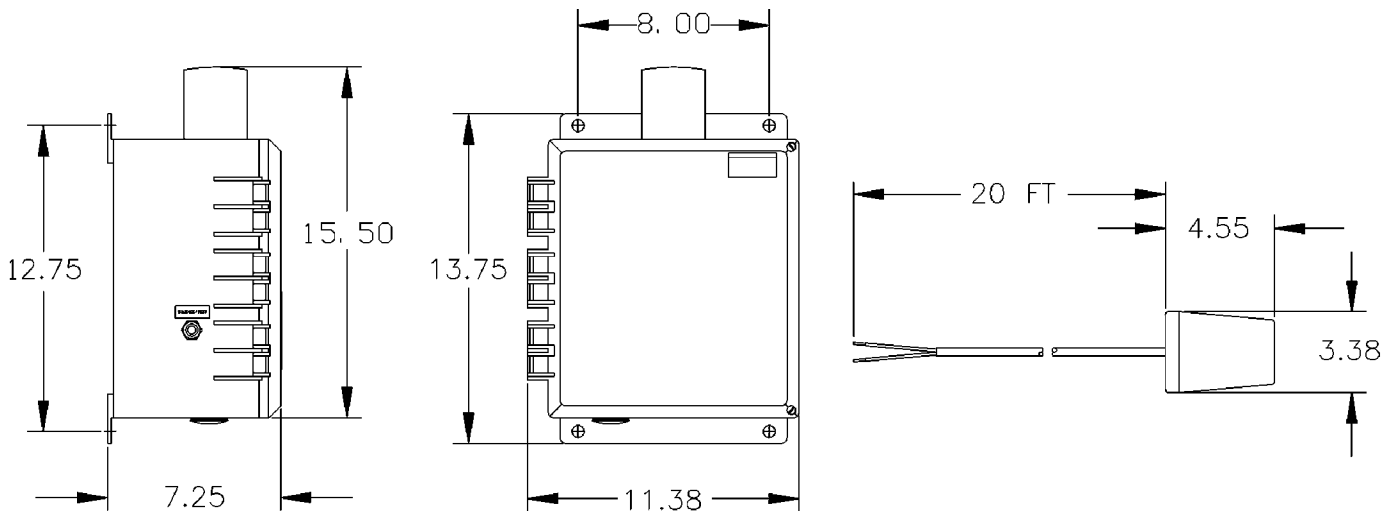
Control Panel Exterior

The non-corrosive, indoor and/or outdoor enclosure comes pre-assembled. The panel exterior features a large red alarm beacon and 83 to 85 dB audible alarm horn. Exterior alarm Test/Normal/Silence Switch allows horn and light to be tested or horn to be silenced in an alarm condition. Horn automatically resets once alarm condition is cleared.

Control Panel Interior

The panel interior consists of a heavy-duty motor contactor and printed circuit board controller. Handy HOA switch allows for either “Hand” (manual), “Off” or “Automatic” pump operation. A control switch turns off power to the float circuitry. The control switch and the HOA switch may be turned off to provide an additional safety feature when servicing. These switches are located inside the panel to protect against activation by unauthorized personnel. A multi-tap transformer provides 120V control voltage. Motor protective switch provide adjustable overload protection, short circuit protection and pump disconnect. Green “Pump Run” indicator light, alarm fuses, a control fuse and alarm and control power indicators all mounted on circuit board. Easy-to-follow wiring diagram and terminal strip provide for simple installation.

3 PHASE SIMPLEX ALARM SYSTEM & PUMP CONTROL



Specifications

Model No.	Item No.	Volts	Hertz	Phase	F.L.A.	Dimensions H x L x W (in.)	Weight (lb.)
3121W151H17A	513282	208/240/480	60	3	2.8 - 4.0	15.5 x 11.4 x 7.3	21
3121W181H17A	513284	208/240/480	60	3	5.5 - 8.0	15.5 x 11.4 x 7.3	21
3121H221H17A	513286	208/240/480	60	3	11.0 - 16.0	15.5 x 11.4 x 7.3	21

General Installation Instructions

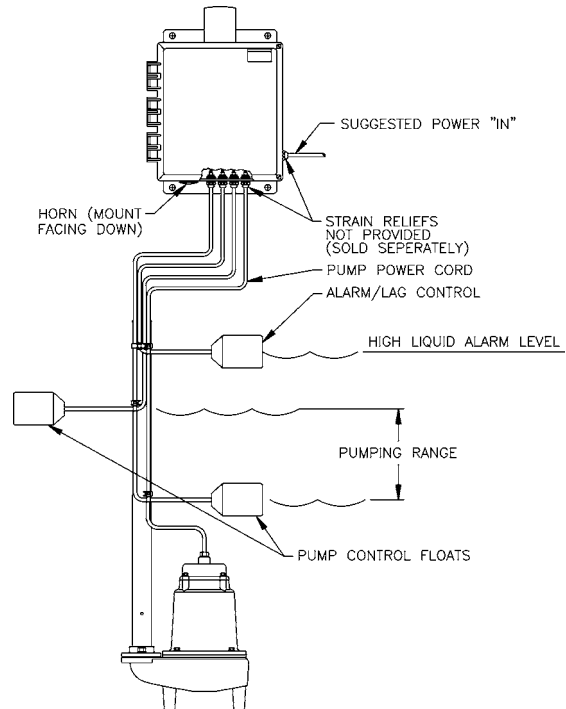
WARNING: Turn off power source before installing or adjusting this device. Failure to turn off power could result in serious or fatal electrical shock.

1. Determine the mounting location for the control panel. Liquid-tight connectors should be used on all cables entering panel. Conduit connectors, if used, must be sealed.
2. Check local codes and the schematic for power circuit requirements. On the control panel, determine the "power in" location (from the building power supply). **CAUTION: BE SURE THE POWER SUPPLY VOLTAGE AND PHASE ARE THE SAME AS THE PUMP MOTORS BEING INSTALLED.**
3. Determine the location on the control panel for the pump power cables and float switch cables. Drill holes to fit the type of cable fittings to be used.
4. Attach floats as shown in Typical Installation drawing.
5. Following step-by-step instructions and wiring diagram included with panel, complete connections of all cables.
6. Follow "Manual Testing" procedure in instruction manual.

NOTE: Little Giant Pump Company cannot be responsible for damages caused by faulty or negligent installation of this control. We recommend that you engage the services of a competent plumber, electrician, or qualified service person to install this product in accordance with national and local electrical codes.

ACCESSORIES: Some installations may require a moisture-free junction box to house electrical connections. Model JB70 Junction Boxes are recommended. These are available with liquid-tight connectors. The liquid-tight connectors are also available separately.

Typical Installation



Little GIANT
 PO Box 12010 • Oklahoma City, OK 73157
 Phone: 800.701.7894 • Fax: 800.701.8046
 E-mail: customerservice@littlegiant.com