

Little GIANT®

STRUCTURAL FOAM, POLYETHYLENE & FIBERGLASS SIMPLEX & DUPLEX COVER/BASINS

FOR USE WITH SEWAGE AND EFFLUENT SERIES PUMPS



The corrosion resistant basins and covers are available in light weight, durable, simplex and duplex styles in basin diameters from 18" to 36". The basins include an inlet hub. The gas tight covers come complete with vent and discharge flanges, cord seals, gasketing and hardware. Access openings allow easy removal of pump without disturbing vent connection. Larger sizes and alternate configurations available as specials. Contact factory with particular application requirements.

Applications

- Residential, Commercial and Industrial
- Collection of sewage, effluent, drainage and seepage water

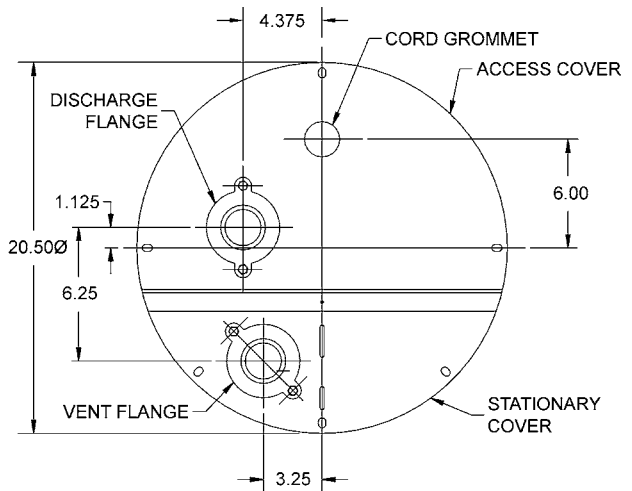
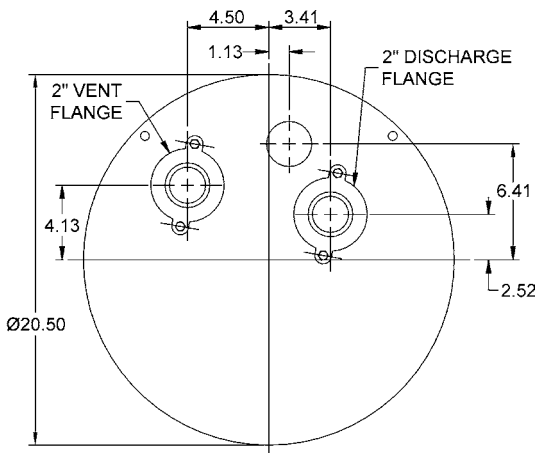
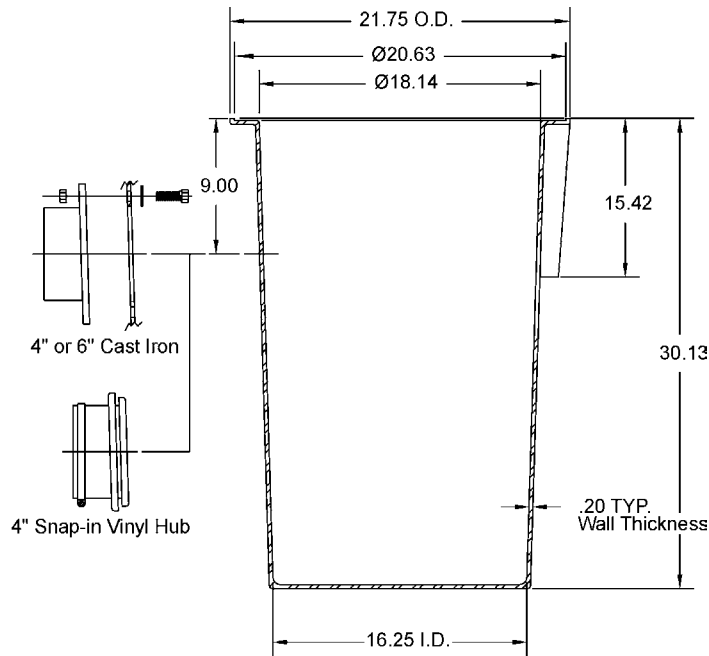
Series Features

- Basins available in high density polyethylene structural foam (18", 24" & 30" dia.) or fiberglass (36" dia.)
- Complete with necessary sealing hardware and flanges
- Available with 2" or 3" vent or discharge flange
- 4" inlet hub is included with the basin
- Water tight and gas tight when properly installed
- Durable steel gasketed cover standard on simplex and duplex basins
- One-piece, seam-free construction on basin
- Duplex covers include two access plates
- Ready-to-install for simple and economical installation
- Temperature rated up to 130°F

Specifications

- Basins: 18"×30", 24"×36", 30"×36" high density polyethylene structural foam, 36"×36" precision match die molded fiberglass
- Inlet hubs: 4" cast iron, 30,000 PSI caulking style or 4" snap-in rubber with nylon clamp
- Covers: Steel, acrylic lacquer dipped
- Cord seals: Rubber
- Gaskets: Polyethylene foam with adhesive on one side
- O-rings: Rubber
- Bolts: Dichromate coated
- Vent & Discharge Flanges: Nylon (18" covers); cast iron (24" and larger steel covers)

18X30 STRUCTURAL FOAM SIMPLEX & DUPLEX BASIN/COVER ASSEMBLIES



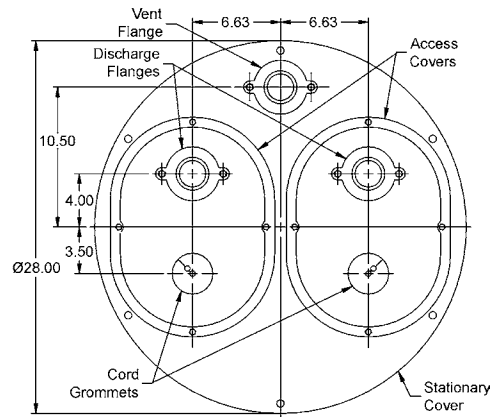
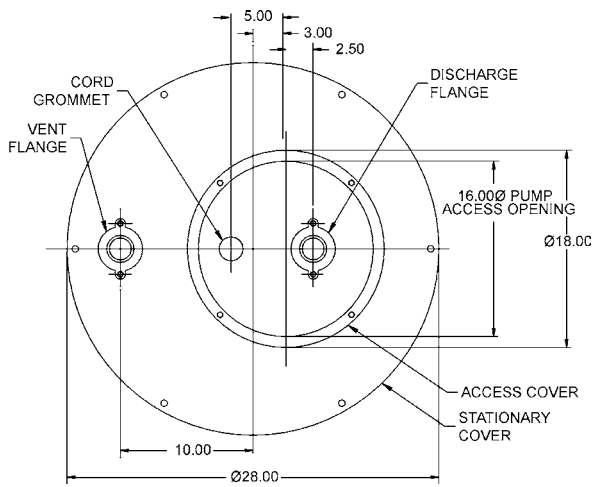
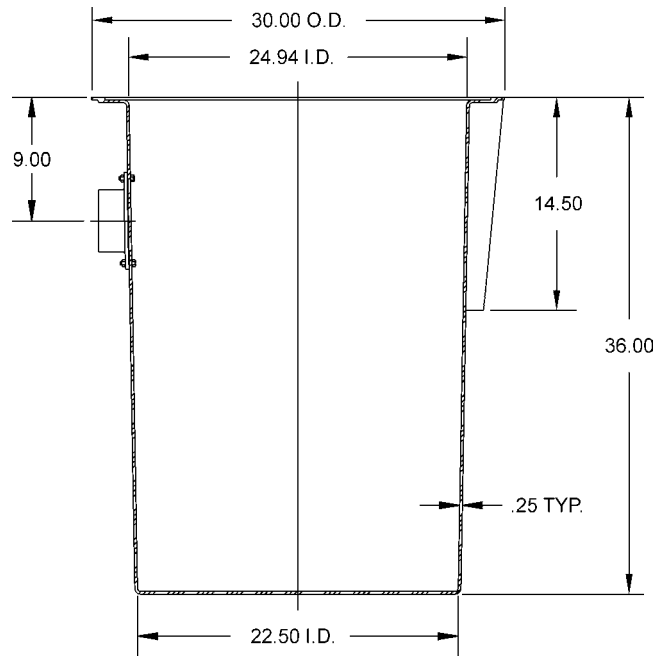
Item No.	Model Description	BASIN			COVER				
		Item No.	4" Hub Type	Capacity	Item No.	Style	Vent	Discharge	Material
513100	BS1830CS2V2D	113030*	Snap-In	30 gal.	113045	2-Piece	2"	2"	Steel
513101	BS1830CS2V2D	113032	Snap-In	30 gal.	113045	2-Piece	2"	2"	Steel
513102	BS1830CS3V2D	113032	Snap-In	30 gal.	113046	2-Piece	3"	2"	Steel
513103	BB1830CS2V2D	113033	Cast Iron	30 gal.	113045	2-Piece	2"	2"	Steel
513104	BB1830CS3V2D	113033	Cast Iron	30 gal.	113046	2-Piece	3"	2"	Steel
513119	BS1830CS2V2D	113032	Snap-In	30 gal.	113047	1-Piece	2"	2"	Steel
513120	BB1830CS2V3D	113033	Cast Iron	30 gal.	113048	2-Piece	2"	3"	Steel
513121	BB1830CS3V3D	113033	Cast Iron	30 gal.	113049	2-Piece	3"	3"	Steel
513122	BS1830CS2V3D	113032	Snap-In	30 gal.	113048	2-Piece	2"	3"	Steel
513123	BS1830CS3V3D	113032	Snap-In	30 gal.	113049	2-Piece	3"	3"	Steel

Hub Kits for 18" Dia. Basins	
113072	4" vinyl hub
113073	4" cast iron hub
113077	6" cast iron hub

*No precut hub hole

Hub kits come complete with all hardware required for installation.

24x36 STRUCTURAL FOAM SIMPLEX & DUPLEX BASIN/COVER ASSEMBLIES

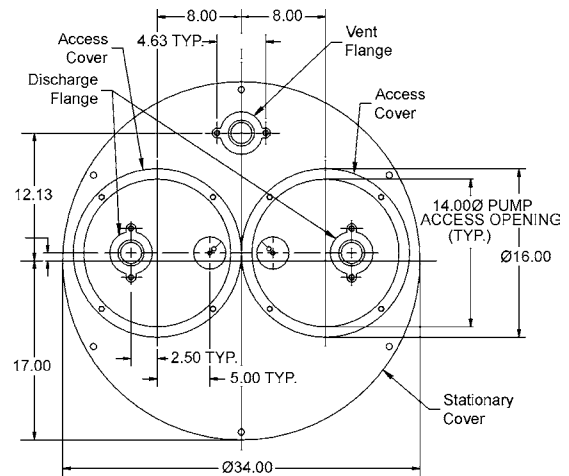
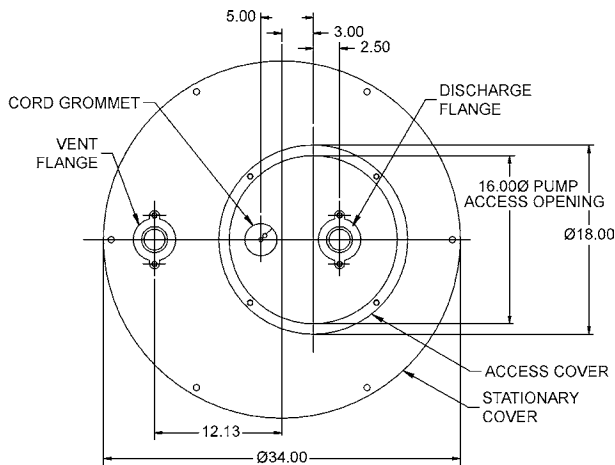
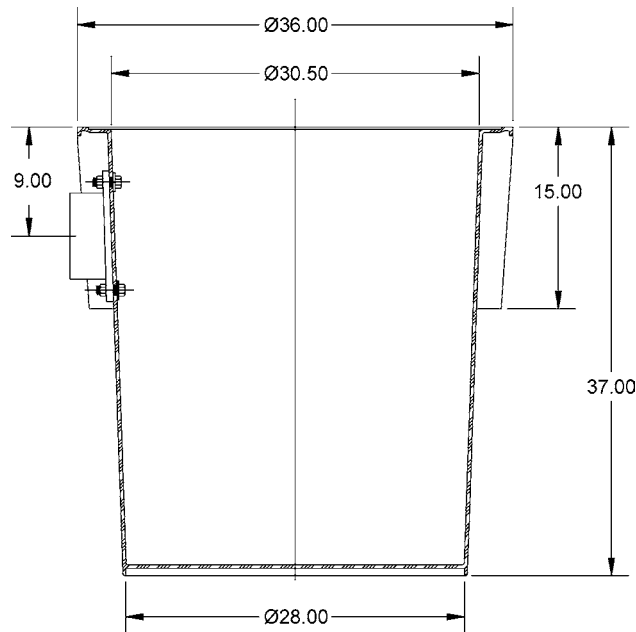


Item No.	Model Description	System Type	BASIN			COVER				
			Item No.	4" Hub Type	Capacity	Item No.	Style	Vent	Discharge	Material
513105	BB2436CS2V2D	Simplex	113034	Cast Iron	72 gal.	113114	Simplex	2"	2"	Steel
513106	BB2436CS3V2D	Simplex	113034	Cast Iron	72 gal.	113115	Simplex	3"	2"	Steel
513107	BB2436CS2V3D	Simplex	113034	Cast Iron	72 gal.	113116	Simplex	2"	3"	Steel
513108	BB2436CS3V3D	Simplex	113034	Cast Iron	72 gal.	113117	Simplex	3"	3"	Steel
513129	BB2436CD2V2D	Duplex	113034	Cast Iron	72 gal.	113099	Duplex	2"	2"	Steel
513130	BB2436CD3V2D	Duplex	113034	Cast Iron	72 gal.	113098	Duplex	3"	2"	Steel

Hub Kits for 24" Dia. Basins	
113074	4" cast iron hub
113078	6" cast iron hub

Hub kits come complete with all hardware required for installation.

30X36 STRUCTURAL FOAM SIMPLEX & DUPLEX BASIN/COVER ASSEMBLIES

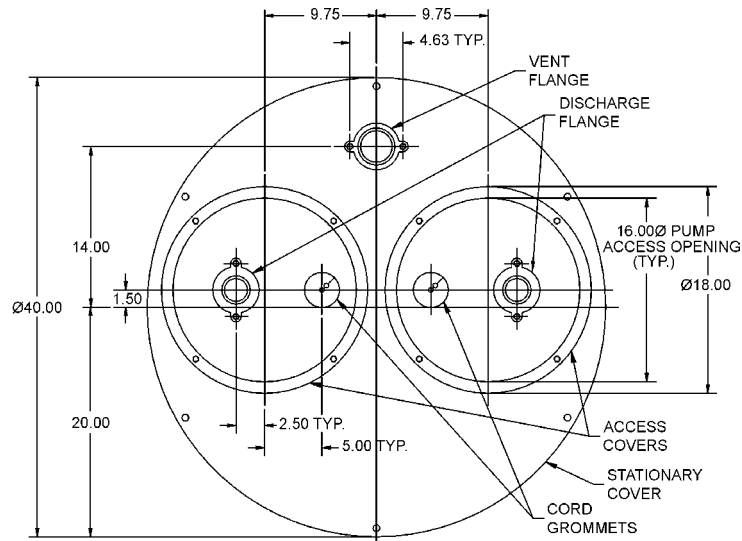
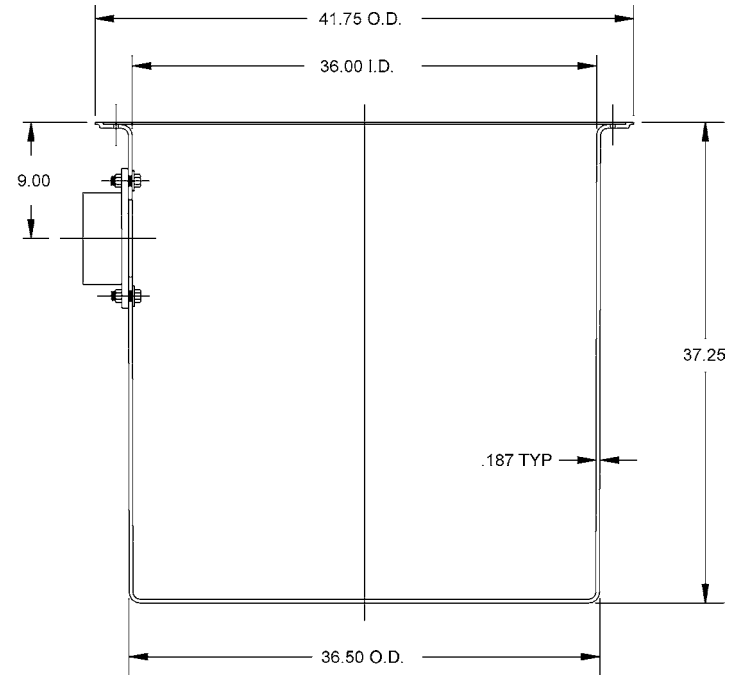


Item No.	Model Description	System Type	BASIN			COVER				
			Item No.	4" Hub Type	Capacity	Item No.	Style	Vent	Discharge	Material
513144	BB3036CS2V2D	Simplex	113160	Cast Iron	110 gal.	113118	Simplex	2"	2"	Steel
513145	BB3036CS3V2D	Simplex	113160	Cast Iron	110 gal.	113100	Simplex	3"	2"	Steel
513146	BB3036CS2V3D	Simplex	113160	Cast Iron	110 gal.	113119	Simplex	2"	3"	Steel
513147	BB3036CS3V3D	Simplex	113160	Cast Iron	110 gal.	113101	Simplex	3"	3"	Steel
513148	BB3036CD2V2D	Duplex	113160	Cast Iron	110 gal.	113120	Duplex	2"	2"	Steel
513149	BB3036CD3V2D	Duplex	113160	Cast Iron	110 gal.	113102	Duplex	3"	2"	Steel
513150	BB3036CD2V3D	Duplex	113160	Cast Iron	110 gal.	113121	Duplex	2"	3"	Steel
513151	BB3036CD3V3D	Duplex	113160	Cast Iron	110 gal.	113103	Duplex	3"	3"	Steel

Hub Kits for 30" Dia. Basins	
113075	4" cast iron hub
113079	6" cast iron hub

Hub kits come complete with all hardware required for installation.

36X36 FIBERGLASS DUPLEX BASIN/COVER ASSEMBLIES



Item No.	Model Description	System Type	BASIN			COVER				
			Item No.	4" Hub Type	Capacity	Item No.	Style	Vent	Discharge	Material
513125	BB3636CD2V2D	Duplex	113051	Cast Iron	157.5 gal.	113107	Duplex	2"	2"	Steel
513117	BB3636CD3V2D	Duplex	113051	Cast Iron	157.5 gal.	113104	Duplex	3"	2"	Steel
513126	BB3636CD2V3D	Duplex	113051	Cast Iron	157.5 gal.	113108	Duplex	2"	3"	Steel
513118	BB3636CD3V3D	Duplex	113051	Cast Iron	157.5 gal.	113105	Duplex	3"	3"	Steel

Hub Kits for 36" Dia. Basins	
113076	4" cast iron hub
113080	6" cast iron hub
113081	8" cast iron hub

Hub kits come complete with all hardware required for installation.

NOTES

NOTES
