

# Wastewater

## 10EN Series



**10EN-CIA-SFS**



**10EN-CIA-RFS**



**10EN-CIM**

### Applications

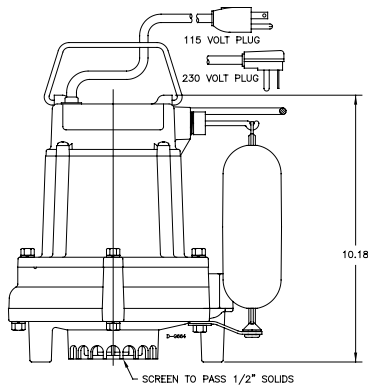
- Little Giant 10EN Series Sump/Effluent Pumps are rated for continuous duty use in dewatering and light effluent applications

### Features

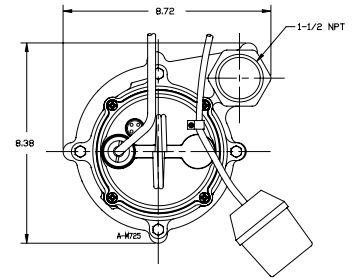
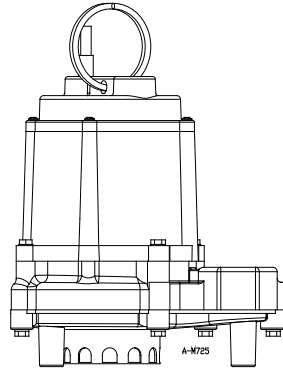
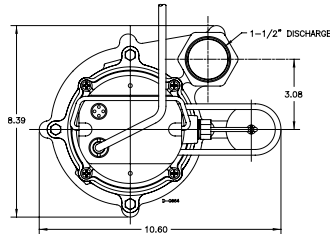
- 1/2 hp PSC motor with thermal overload protection
  - Energy saving low amp draw
  - Cooler running motor which extends the life of the pump
- Cast iron pump housing with protective epoxy coating for corrosion and rust resistance, polypropylene base
- Stainless steel screws, bolts and handle
- Mechanical seals (stainless steel spring, nitrile parts, carbon and ceramic faces)
- Upper and lower sintered sleeve bearings
- 1-1/2" FNPT discharge
- Handles liquid and solid waste materials up to 1/2" diameter
- Available in manual or automatic operation with two switch options;
  - Integral snap action float switch
    - On Level 7" - 10"
    - Off Level 2" - 5"
  - Piggyback mechanical float switch
    - On Level 12" - 14"
    - Off Level 5" - 7"
- Two year warranty
- Fully submersible

**LittleGIANT®**

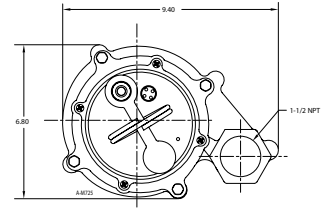
## Engineering Data



10EN-CIA-SFS



10EN-CIA-RF



10EN-CIM

## Specifications

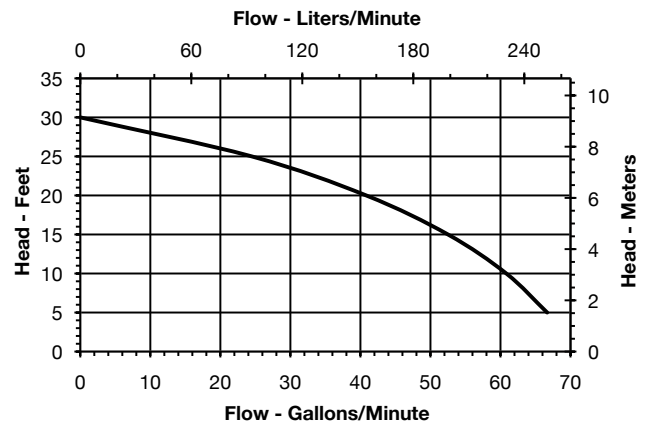
Item No.	Model No.	Listing(s)	HP	Volts	Solids Size (dia. In.)	Running Amps/Watts	Performance (GPM @ Head)				Shutoff		Cord Length (ft.)	Weight (lbs.)	Dimension H x L x W (in.)
							5'	10'	15'	20'	Ft.	PSI			
511330	10EN-CIA-SFS	cCSAus	1/2	115	1/2"	8/850	67	61	50	40	30	13	10	29	10.18 x 10.60 x 8.39
511331	10EN-CIA-SFS	cCSAus	1/2	115	1/2"	8/850	67	61	50	40	30	13	20	29	10.18 x 10.60 x 8.39
511335	10EN-CIA-SFS	cCSAus	1/2	230	1/2"	4/850	67	61	50	40	30	13	10	29	10.18 x 10.60 x 8.39
511336	10EN-CIA-SFS	cCSAus	1/2	230	1/2"	4/850	67	61	50	40	30	13	20	29	10.18 x 10.60 x 8.39
511320	10EN-CIA-RF	cCSAus	1/2	115	1/2"	8/850	67	61	50	40	30	13	10	29	9.87 X 8.75 X 8.5
511321	10EN-CIA-RF	cCSAus	1/2	115	1/2"	8/850	67	61	50	40	30	13	20	29	9.87 X 8.75 X 8.5
511310	10EN-CIM	cCSAus	1/2	115	1/2"	8/850	67	61	50	40	30	13	10	28	9.87 X 8.75 X 8.5
511311	10EN-CIM	cCSAus	1/2	115	1/2"	8/850	67	61	50	40	30	13	20	28	9.87 X 8.75 X 8.5
511315	10EN-CIM	cCSAus	1/2	230	1/2"	4/850	67	61	50	40	30	13	10	28	9.87 X 8.75 X 8.5
511316	10EN-CIM	cCSAus	1/2	230	1/2"	4/850	67	61	50	40	30	13	20	28	9.87 X 8.75 X 8.5

SFS - Snap Action Float Switch

## Construction

Cover	Polycarbonate - 10EN-CIA-SFS Models
Cover	Cast Iron - 10EN-CIM and 10EN-CIA-RF Models
Motor Housing	Epoxy-coated cast iron
Impeller Material	Nylon
Volute	Epoxy-coated cast iron/polypropylene
Power Cord	SJTW
Mechanical Shaft Seal	Nitrile with carbon & ceramic faces
Fasteners	Stainless steel
Shaft	Cold rolled steel
Bearings	Upper and lower sintered sleeve bearings

## Performance Data



P.O. Box 12010  
Oklahoma City, OK 73157-2010  
Phone: 1.800.701.7894  
Fax: 1.800.678.7867  
www.LittleGiantPump.com



©2011 Franklin Electric Co., Inc.  
Little Giant® is a registered trademark of Franklin Electric Co., Inc.  
Form 996084 — 03/11