

DISCONNECT SYSTEMS

PUMP DISCONNECTS			
MODEL	CATALOG NO.	PIPE SIZE	DISCONNECT SIZE
PD-2	513302	N/A	2" NPT
PD-114	513306	N/A	1-1/4" NPT

Use in installations where discharge is no lower than 18" below grade.

Point of disconnect fitting should be above the liquid level. Visibility of the disconnect fitting is preferred because no guide rails are used.

Stainless steel pull rods can be used on the disconnect fitting for ease of removal. Rods of desired length are purchased separately.

A suitable chain or other means must be used for lifting pump to avoid binding and strain on the pump discharge and disconnect system.

GUIDE RAIL DISCONNECT SYSTEMS (EFFLUENT OR SEWAGE)			
MODEL	CATALOG NO.	PIPE SIZE	DISCONNECT SIZE
GR-3/4	513301	3/4 IPS	2" NPT
GR 1-1/4	513300	1-1/4 IPS	3" NPT
GR-3/4-114D	513305	3/4 IPS	1-1/4"
IGR 3/4	513303	3/4 IPS	--
IGR 1-1/4	513304	1-1/4 IPS	--

These models are complete systems used in installations with a total depth of over 5 ft., disconnect fitting 18" or more below grade, and the liquid level above the disconnect fitting in the discharge pipe. The Guide Rail System can also be used on sewage installations as the discharge, because the discharge can pass between the 2" rail stand-off bars and out the cover.

Use 3/4 IPS pipe rails on 2" and 1-1/4" brass systems. Use 1-1/4 IPS pipe rails on 3" brass systems. A brass foot guide is supplied for use with steel pipe. Set screws are used for locking the steel pipe to the foot guide. 3/4 IPS or 1-1/4 IPS pipe rails (which are supplied by the customer) can be galvanized, stainless steel (recommended) or PVC Schedule 80, which is optional.

Stainless steel pull rods are used on the disconnect fittings. 3/16" pull rods of the desired length are purchased separately for the 1-1/4" to 2" units. The GR 1-1/4 unit rod must be field fabricated (1/2" - 13 UNC). Pump must be lifted by a chain or other suitable method.

Guide rail brackets and steel stand-off brackets are included with each system to support upper end of the guide rail pipes. The stationary half can be attached to the pit by drilling and bolting in place.

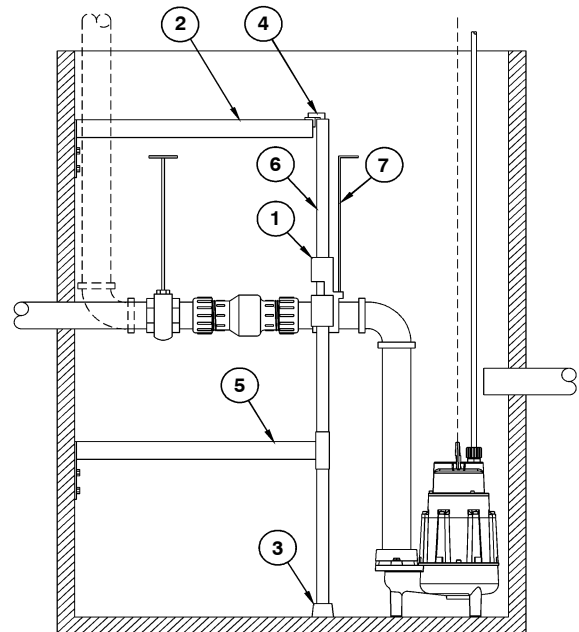
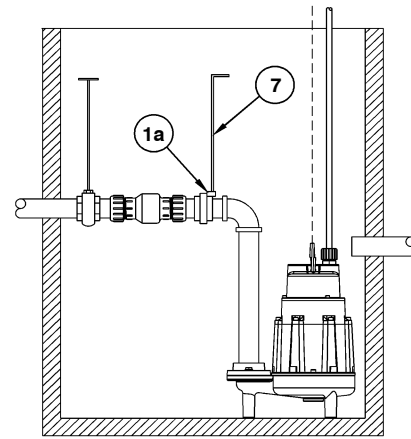
One intermediate guide rail bracket is required for every 10 ft. of rail. Use IGR-3/4 for 3/4" IPS pipe and IGR 1-1/4 for 1-1/4 IPS" pipe.

CAUTION

Pulling of pump will disconnect the disconnect fitting on most installations. If flexible pipe is used between pump discharge and disconnect fitting, a pull rod must be used simultaneously as the pump is pulled from the pit.

The pull rod is not intended to be the sole means of re-installing the pump. A suitable chain or other means is required to align the pump and disconnect for proper installation.

SYSTEM WITHOUT GUIDE RAIL



SYSTEM WITH GUIDE RAIL

PARTS LIST		MATERIAL	513300	513301	513302	513305	513306
1	Disconnect, 1-1/4" NPT	Red brass	--	--	--	•	--
1	Disconnect, 2" NPT	Red brass	--	•	--	--	--
1	Disconnect, 3" NPT	Red brass	•	--	--	--	--
1a	Non-guide rail disconnect	Red brass	--	--	•	--	•
2	Stand-off bracket	Painted steel	•	•	--	•	--
3	Foot guide rail bracket	Red brass	•	•	--	•	--
4	Top guide rail bracket	Painted steel	•	•	--	•	--
5	Intermediate guide rail bracket	Painted steel	P	P	--	P	--
6	Guide rail	Optional	S	S	--	S	--
7	Pull rod	Stainless steel	S	S	S	S	--

S - Supplied by customer
 P - Purchased separately