

Little GIANT®

SIMPLEX ALARM SYSTEM & PUMP CONTROL



Applications

- Lift pump chambers
- Sump pump basins
- Holding tanks
- Sewage and water removal systems

Features

- Controls the pump and warns of high liquid levels
- Easy to install
- Fiberglass enclosure
- HOA switch allows for “Hand” (manual), “Off” or “Automatic” operation
- Alarm ON/OFF switch controls power to the float circuitry; this and the pump HOA switch provide an additional safety feature when servicing.
- Entire unit UL listed and tested by UL to CSA standards
- Control float(s) and alarm float included

General Description

The Simplex Alarm System/Pump Control provides residential and commercial customers with a reliable means of controlling a simplex (one pump) system in a water or sewage installation. The system consists of a control panel and floats necessary for pump and alarm operation.

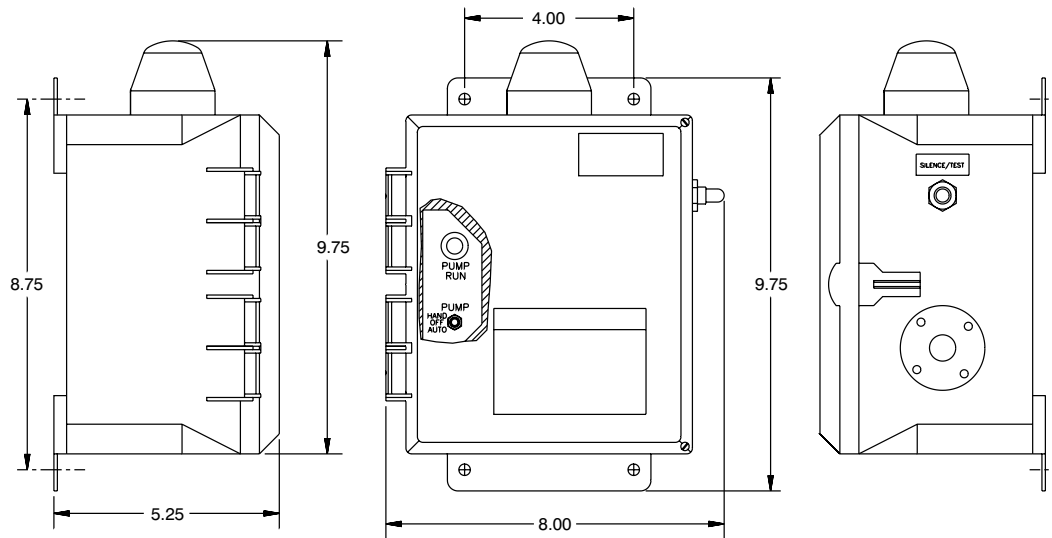
Control Panel Exterior

The non-corrosive, indoor and/or outdoor enclosure comes pre-assembled. The green pump light, silence switch (with automatic reset feature), and alarm test switch are conveniently accessible on the front of the panel.

Control Panel Interior

The interior alarm system consists of a high-quality alarm relay, a solid-state flasher, a weather-proof horn, and a standard light bulb; all of which are fuse protected. A handy HOA switch allows for either “Hand” (manual) “Off” or “Automatic” pump operation. A second switch is provided as an ON/OFF for control panel alarm system. These switches are located inside the panel to protect against activation by unauthorized personnel. A terminal strip with easy-to-follow wiring diagram provides for simple installation of both alarm and pump floats.

SIMPLEX ALARM SYSTEM & PUMP CONTROL



Specifications

Model No.	Item No.	Volts	Hz	Phase	F.L. Amps	Dimensions H x L x W (in.)	Weight (lbs.)
1151W200H17A	513257	120/208/240	60	1	0 - 15	9.75 x 4 x 8.00	21
1121W120H17A	513267*	120/208/240	60	1	16 - 20	9.75 x 4 x 8.00	21

*Includes 3 floats

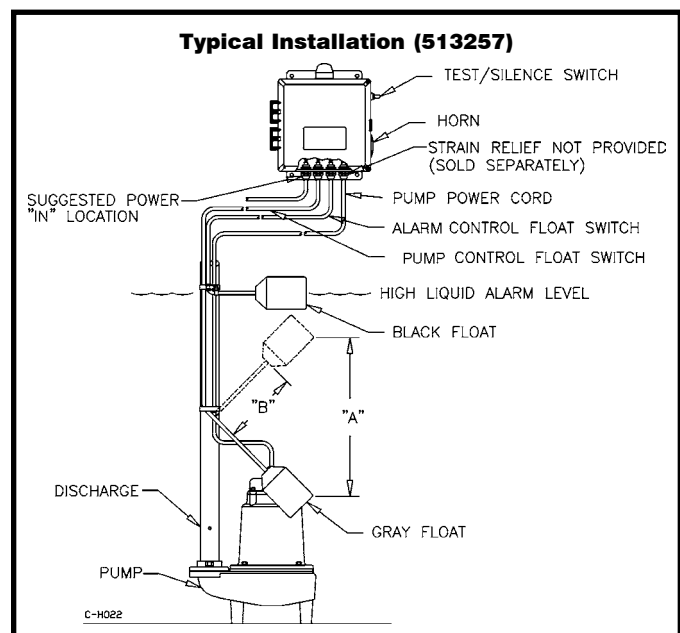
General Installation Instructions

WARNING: Turn off power source before installing or adjusting this device. Failure to turn off power could result in serious or fatal electrical shock.

- Determine the mounting location for control panel. Liquid tight connectors should be used on all cables entering panel. Conduit connectors, if used, must be sealed.
- Check local codes and the schematic for power circuit requirements. On the control panel, determine the "power in" location (from the building power supply). **CAUTION: BE SURE THE POWER SUPPLY VOLTAGE AND PHASE ARE THE SAME AS THE PUMP MOTORS BEING INSTALLED.**
- Determine the location on the control panel for the pump power cables and float switch cables. Drill holes to fit the type of cable fittings to be used.
- Attach floats as shown in Typical Installation drawing.
- Following step-by-step instructions and wiring diagram included with panel, complete connections of all cables.
- Follow "Manual Testing" procedure in instruction manual.

WARNING - 230V INSTALLATIONS: In a 230V pump installation, one side of the line going to the pump is always "hot". This condition exists regardless of whether the float switch is "on" or "off". To avoid hazards when installing or servicing, install a double-pole disconnect switch near pump installation.

NOTE: Little Giant Pump Co. cannot be responsible for damages caused by faulty or negligent installation of this control. If you feel that you may encounter problems in installing this device, we respectfully suggest you engage the services of a competent plumber, electrician, or service person.



Pumping Range

(approx. measurements in inches)

Pump Range (Dim "A")	7-1/2	8	9	11	12	13	14
Tether Length (Dim "B")	2-1/2	3	4	6	8	10	12

Little GIANT®
 PO Box 12010 • Oklahoma City, OK 73157
 Phone: 800.701.7894 • Fax: 800.701.8046
 E-mail: customerservice@littlegiant.com