

Wastewater

Simplex Package Systems

Polyethylene "Roll-Top" Basin Design

9S-SMPXRT-K

10S-SMPXRT-K



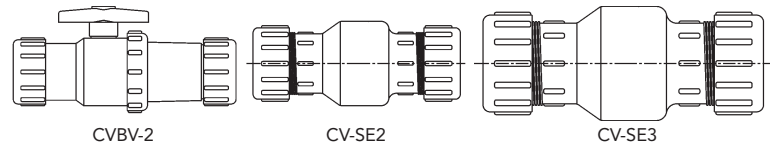
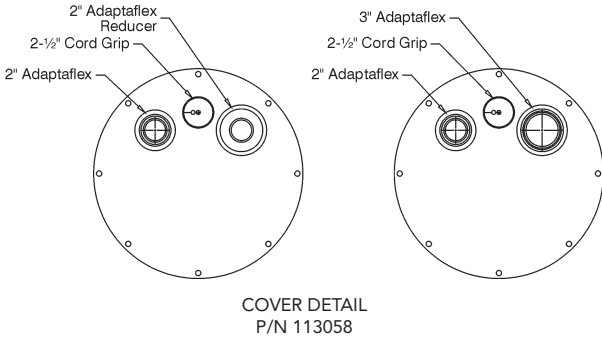
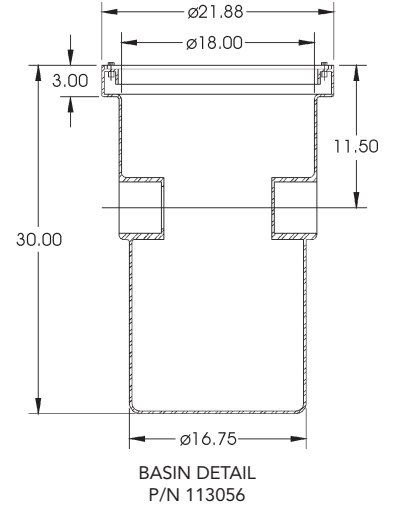
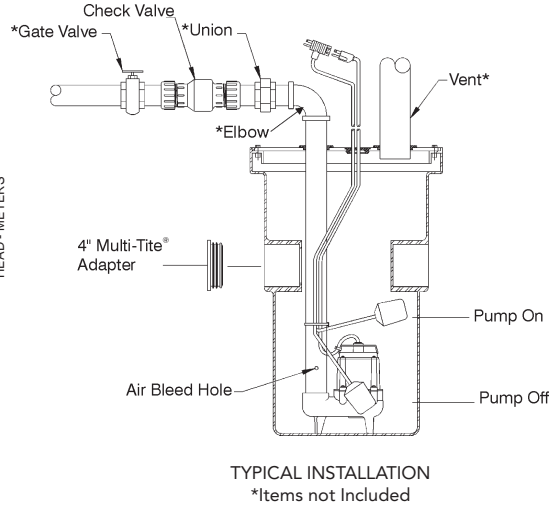
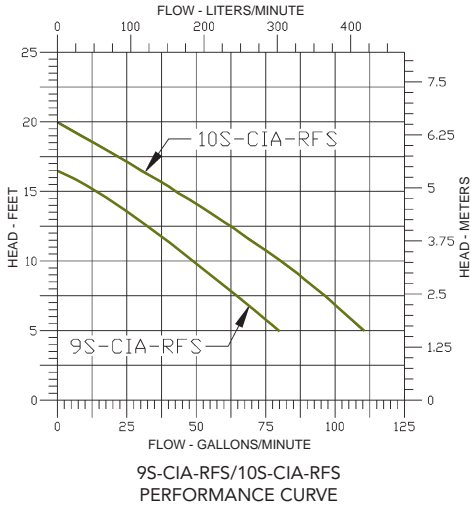
Applications

- Homes
- Residential, Light Commercial Industrial, and Agricultural
- Collection of sewage, effluent, drainage and seepage water

Series Features

- Handles liquids and solid waste materials
- Cast iron pump housings with protective epoxy coating for corrosion and rust resistance
- Oil-filled motor housings for lifetime lubrication and rapid heat dissipation
- Stainless steel screws, bolts, handle and seal assembly
- Mechanical seals (stainless steel spring, nitrile parts, carbon and ceramic faces)
- Thermal overload protection
- 18" x 30" Polyethylene basin with structural foam one-piece cover
- Sturdy roll-top design
- Full flow check valve (except on noted models)
- 28" schedule 80 PVC discharge nipple with predrilled air-bleed hole
- 4" molded inlet hub
- Multi-Tite® insert for PVC or cast iron inlet pipe
- Molded inserts on bottom of basin to locate and secure pump
- Available Pre-Packaged or Pre-Assembled

Dimensional Outline



Specifications

Item Number	Model Number	Pre-Assembled/ Pre-Packaged	Pump Catalog Number	Discharge Pipe	Check Valve
† 509071	9S-SMPXRT-K	Pre-Assembled	509500	2"	CVBV-2
† 509072	9S-SMPXRT-K	Pre-Packaged	509500	2"	CVBV-2
509073	9S-SMPXRT-K	Pre-Assembled	509500	2"	CV-SE2
509074	9S-SMPXRT-K	Pre-Packaged	509500	2"	CV-SE2
509075	9S-SMPXRT-K	Pre-Assembled	509510	3"	N/A
509076	9S-SMPXRT-K	Pre-Packaged	509510	3"	N/A
509077	9S-SMPXRT-K	Pre-Assembled	509510	3"	CV-SE3
509078	9S-SMPXRT-K	Pre-Packaged	509510	3"	CV-SE3
*509079	9S-SMPXRTA-K	Pre-Assembled	509500	2"	CV-SE2
511064	10S-SMPXRT-K	Pre-Assembled	511500	2"	CV-SE2
511065	10S-SMPXRT-K	Pre-Packaged	511500	2"	CV-SE2
*511079	10S-SMPXRTA-K	Pre-Packaged	511500	2"	CV-SE2

* — Includes HWAB High Water Alarm C/N 513288

† — Includes CVBV-2 PN/599160, check/ball valve combination

Franklin Electric
P.O. Box 12010
Oklahoma City, OK 73157-2010
Phone: 1.800.701.7894
Fax: 1.800.678.7867
www.LittleGiantPump.com



©2007 Franklin Electric Co., Inc.
Little Giant® is a registered trademark of Franklin Electric Co., Inc.
Form 995222 — 05/08