

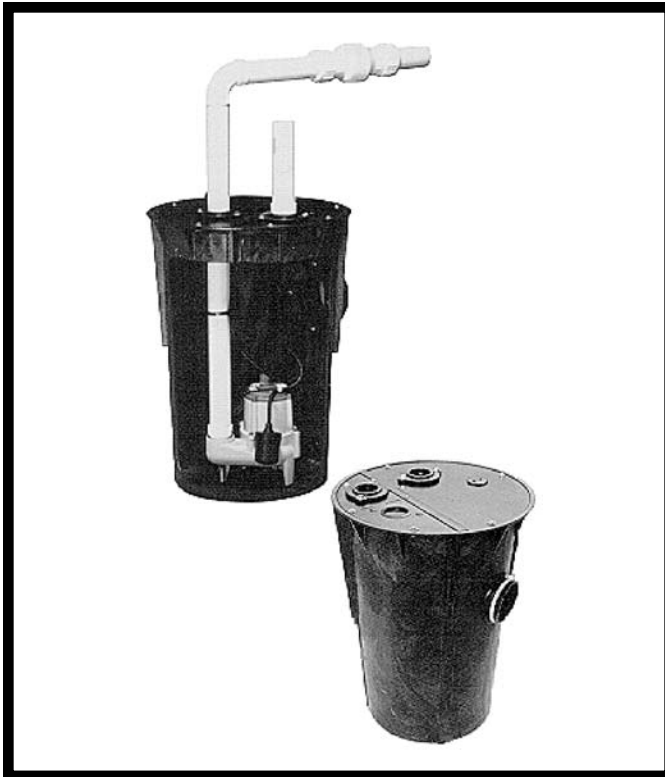
Little GIANT®

SIMPLEX PACKAGE SYSTEMS STRUCTURAL FOAM POLYETHYLENE BASINS

9E-SMPX

9S-SMPX

10S-SMPX



Applications

- Homes
- Farms
- Light commercial
- Light industrial
- Collection of sewage, effluent, drainage, and seepage water

Series Features

- Handles liquids and solid waste materials
- Cast iron pump housing with epoxy coating for corrosion and rust resistance
- Oil filled motor housing for lifetime lubrication and rapid heat dissipation
- Stainless steel screws, bolts, and seal assembly
- Mechanical seals (carbon and ceramic faces)
- Thermal overload protection
- All 115V models are UL listed
- Structural foam polyethylene 18" x 30" basins
- 14 gauge steel, 2 piece cover
- Full flow PVC check valve

9E Series

For residential and light to medium commercial use, the Model 9E Series dewatering and effluent pumps handle liquids and solid waste materials up to 3/4" in diameter. Pumps feature an 1-1/2" discharge, with a lift of 23'. Glass-filled nylon cover and ABS base. Automatic operation has 9"-14" "ON" level range, and 2"-6" "OFF" level range with adjustable piggyback mechanical float switch. Package includes CV-SE check valve and AD-2G adapter for adapting discharge to 2" PVC pipe.

9S Series

For medium commercial, agricultural, and light industrial applications. The model 9S wastewater and sewage ejector pumps handle liquids and solid waste materials up to 2" in diameter. Pumps feature a 2" or 3" discharge with a maximum lift of 18'. Cast iron housing and volute with protective epoxy coating. Automatic operation has 11"-16" "ON" range and 4"-8" "OFF" range with an adjustable piggyback mechanical float switch. Packages include check valve.

10S Series

For increased pumping rates, the model 10S wastewater and sewage ejector pumps offer greater capacity than the 9S series. These pumps handle liquids and solid waste materials up to 2" diameter. Pumps feature a 2" or 3" discharge with a maximum lift of 20'. Cast iron housing and volute with protective epoxy coating. Automatic operation has a 14"-18" "ON" range and a 8"-12" "OFF" range with an adjustable piggyback mechanical float switch. Packages include check valve.

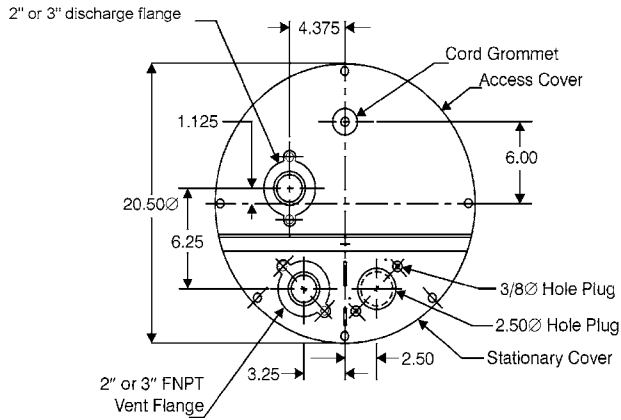
General Description

The Little Giant 9E-SMPX, 9S-SMPX and 10S-SMPX Simplex Packages contain an Eliminator® Series Pump, automatic switch, structural foam polyethylene basins, inlet hub, gas-tight cover assembly, and check valve.

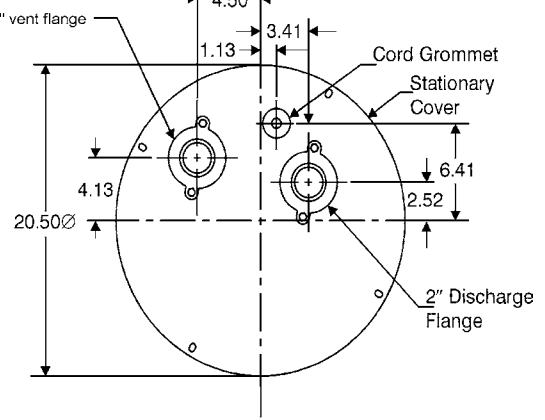
Cover assembly includes all discharge, vent and installation hardware. Basin includes 4" inlet hub in either cast iron caulking hub or snap-in vinyl configuration. Cover is 2 piece.

SIMPLEX PACKAGE SYSTEMS

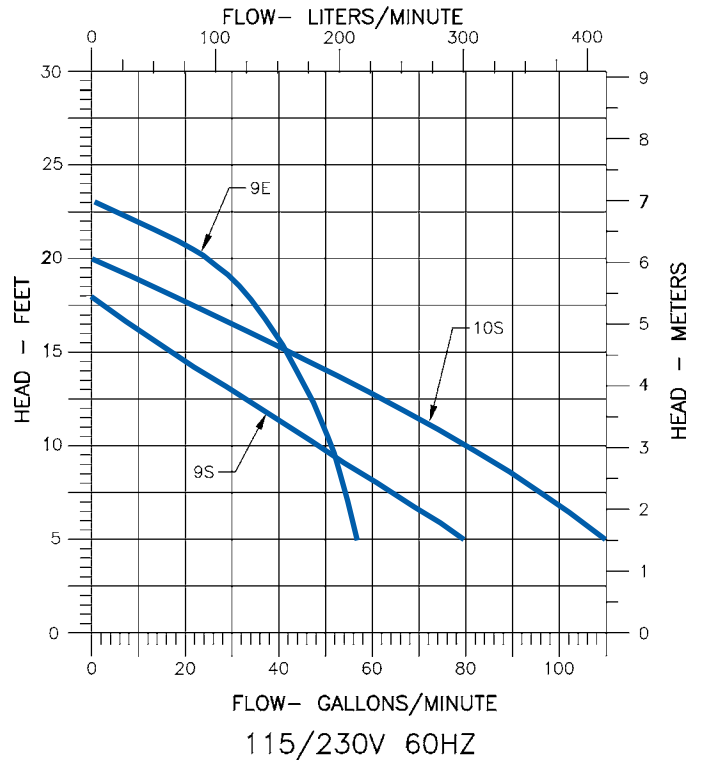
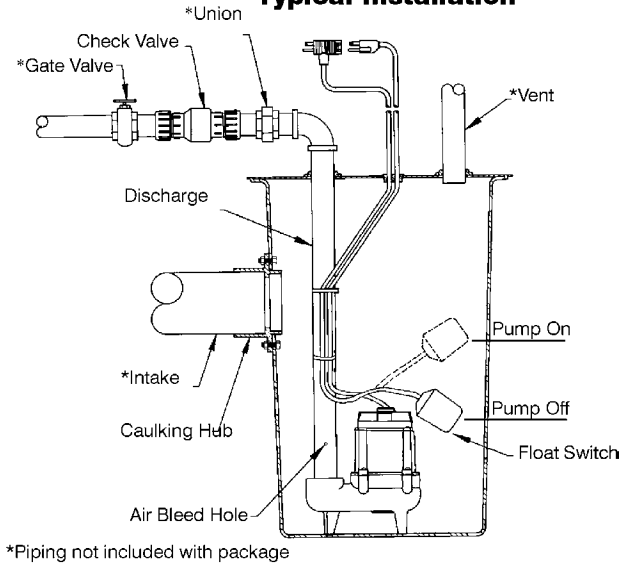
Cover Detail—Two Piece Cover



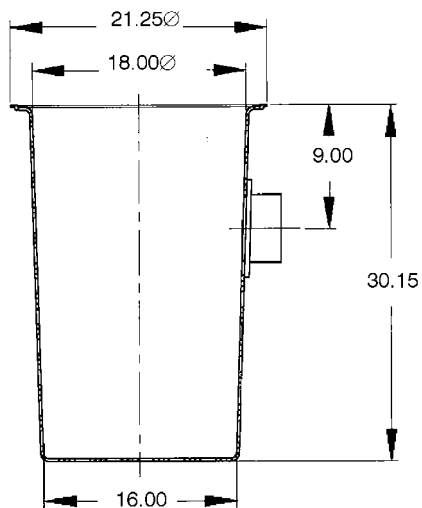
Cover Detail—One Piece Cover



Typical Installation



Basin Detail



DIMENSIONS SHOWN FOR REFERENCE ONLY

SIMPLEX PACKAGE SYSTEMS

STRUCTURAL FOAM POLYETHYLENE BASINS

SIMPLEX STANDARD PACKAGE LISTING											
ITEM NO.	MODEL NO.	APPLICATION	PUMP ITEM NO.	HANDLING CAPABILITY	BASIN P/N	COVER P/N	HUB TYPE	DISCH. PIPE	VENT PIPE	CORD SEAL	CHECK VALVE
◆ 509029	9S-SMPX	Sewage	509500	2"	113032	113048	Vinyl	3"	2"	2-hole	940023
◆ 509030	9S-SMPX	Sewage	509500	2"	113033	113048	Cast Iron	3"	2"	2-hole	940023
◆ 509041	9E-SMPX	Effluent	509300	3/4"	113030	113045	Vinyl	2"	2"	2-hole	940021
◆ 509042	9S-SMPX	Sewage	509500	2"	113030	113045	Vinyl	2"	2"	2-hole	940022
509044	9S-SMPX	Sewage	509500	2"	113032	113045	Vinyl	2"	2"	2-hole	940022
509045	9S-SMPX	Sewage	509500	2"	113033	113045	Cast Iron	2"	2"	2-hole	940022
509046	9S-SMPX	Sewage	509500	2"	113032	113046	Vinyl	2"	3"	2-hole	940022
509047	9S-SMPX	Sewage	509500	2"	113033	113046	Cast Iron	2"	3"	2-hole	940022
509048	9S-SMPX	Sewage	509500	2"	113032	113049	Vinyl	3"	3"	2-hole	940023
◆ 511042	10S-SMPX	Sewage	511500	2"	113030	113045	Vinyl	2"	2"	2-hole	940022
511044	10S-SMPX	Sewage	511500	2"	113032	113045	Vinyl	2"	2"	2-hole	940022
511045	10S-SMPX	Sewage	511500	2"	113033	113045	Cast Iron	2"	2"	2-hole	940022
511046	10S-SMPX	Sewage	511500	2"	113032	113046	Vinyl	2"	3"	2-hole	940022
511047	10S-SMPX	Sewage	511500	2"	113033	113046	Cast Iron	2"	3"	2-hole	940022
511048	10S-SMPX	Sewage	511500	2"	113032	113049	Vinyl	3"	3"	2-hole	940023
◆ 511050	10S-SMPX	Sewage	511500	2"	113032	113048	Vinyl	3"	2"	2-hole	940023
◆ 511051	10S-SMPX	Sewage	511500	2"	113033	113048	Cast Iron	3"	2"	2-hole	940023
† 511052	10S-SMPX	Sewage	511450	2"	113032	113049	Vinyl	3"	3"	2-hole	940023
† 511053	10S-SMPX	Sewage	511450	2"	113033	113049	Cast Iron	3"	3"	2-hole	940023
† 511054	10S-SMPX	Sewage	511450	2"	113032	113048	Vinyl	3"	2"	2-hole	940023
511055	10S-SMPX	Sewage	511450	2"	113033	113048	Cast Iron	3"	2"	2-hole	940023

◆ 2" discharge on pump, 3" discharge in cover - Adapter not included.

◆ Basin not pre-punched for hub; to be installed by end user.

† Pump has 3" discharge.

Consult factory for additional models.

SIMPLEX PACKAGE SYSTEMS
