

Little GIANT®

SIMPLEX PACKAGE SYSTEMS ROTATIONAL MOLDED POLYETHYLENE BASINS

9E-SMPX-B

9S-SMPX-B

10S-SMPX-B



Features

- Homes
- Farms
- Light commercial
- Light industrial
- Collection of sewage, effluent, drainage, and seepage water

Series Features

- Handles liquids and solid waste materials
- Cast iron pump housing with epoxy coating for corrosion and rust resistance
- Oil filled motor housing for lifetime lubrication and rapid heat dissipation
- Stainless steel screws, bolts, and seal assembly
- Mechanical seals (carbon and ceramic faces)
- Thermal overload protection
- All 115V models are UL listed
- Rotational molded polyethylene 18"×30" basins
- 14 gauge steel, 1-piece or 2-piece covers
- Full flow PVC check valve

9E Series

For residential and light to medium commercial use, the Model 9E Series dewatering and effluent pumps handle liquids and solid waste materials up to 3/4" in diameter. Pumps feature a 1-1/2" discharge, with a lift of 23'. Glass-filled nylon cover and ABS base. Automatic operation has 9"-14" "ON" level range, and 2"-6" "OFF" level range with adjustable piggy-back mechanical float switch. Package includes CV-SE check valve and AD-2G adapter for adapting discharge to 2" PVC pipe.

9S Series

For medium commercial, agricultural, and light industrial applications. The model 9S wastewater and sewage ejector pumps handle liquids and solid waste materials up to 2" in diameter. Pumps feature a 2" or 3" discharge with a maximum lift of 18'. Cast iron housing and volute with protective epoxy coating. Automatic operation has 11"-16" "ON" range and 4"-8" "OFF" range with an adjustable piggy-back mechanical float switch. Packages include check valve.

10S Series

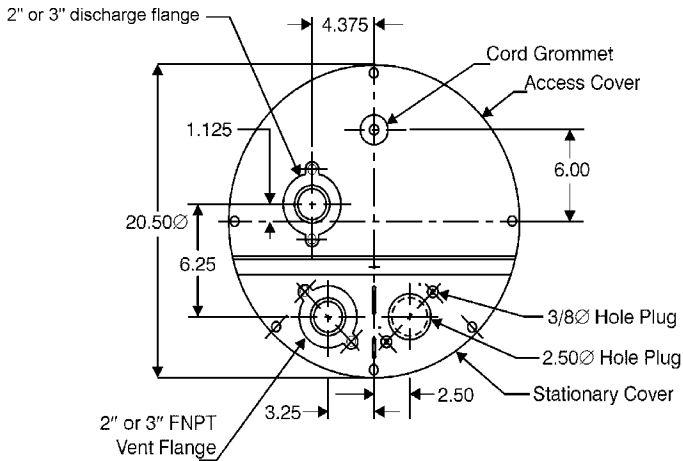
For increased pumping rates, the model 10S wastewater and sewage ejector pumps offer greater capacity than the 9S series. These pumps handle liquids and solid waste materials up to 2" diameter. Pumps feature a 2" or 3" discharge with a maximum lift of 20'. Cast iron housing and volute with protective epoxy coating. Automatic operation has a 14"-18" "ON" range and a 8"-12" "OFF" range with an adjustable piggy-back mechanical float switch. Some models have snap-action float switch. Package includes check valve.

General Description

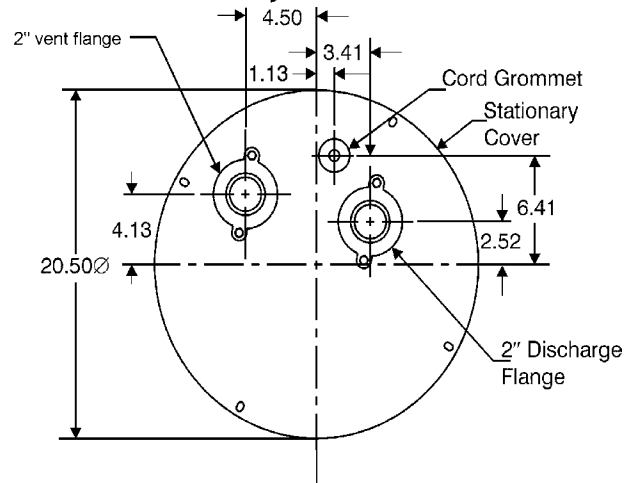
The Little Giant 9E-SMPX-B, 9S-SMPX-B and 10S-SMPX-B Simplex Packages contain an Eliminator Series pump, automatic switch, rotational molded polyethylene basin, inlet hub, gas-tight cover assembly, and check valve. Cover assembly includes all discharge, vent and installation hardware. Basin includes 4" inlet hub in either cast iron caulking hub or snap-in vinyl configuration. Cover is 2-piece version unless otherwise noted.

SIMPLEX PACKAGE SYSTEMS

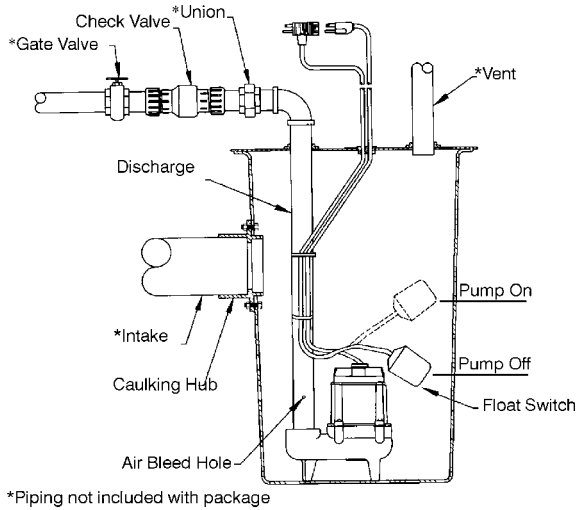
Cover Detail, Two-Piece Cover



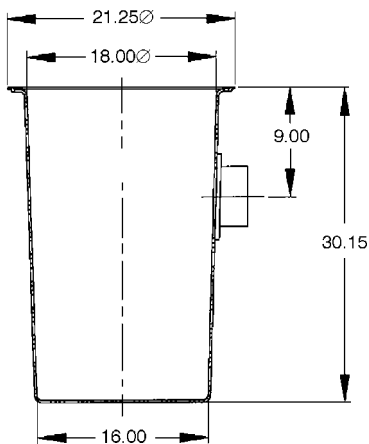
Cover Detail, One-Piece Cover



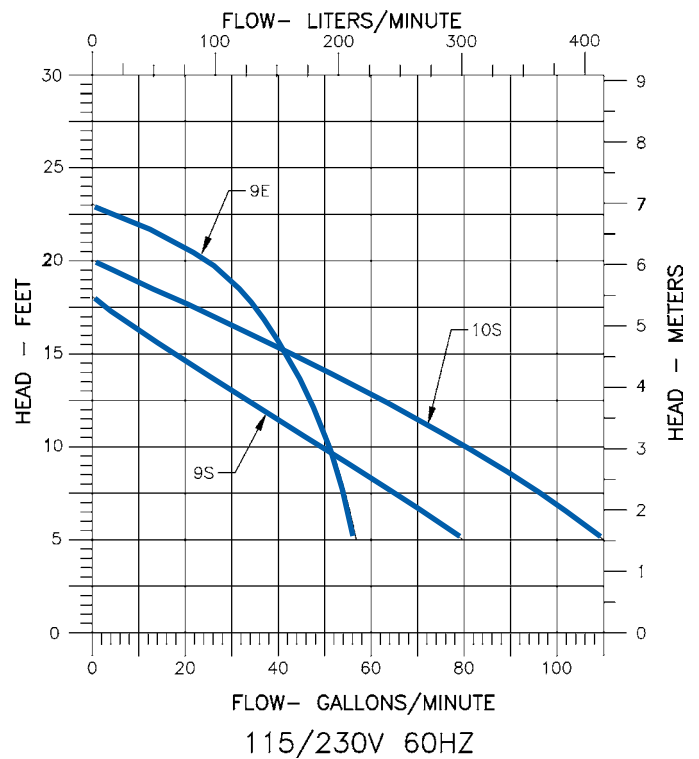
Typical Installation



Basin Detail



DIMENSIONS SHOWN FOR REFERENCE ONLY



SIMPLEX PACKAGE SYSTEMS

SIMPLEX STANDARD PACKAGE LISTING								
ITEM NO.	MODEL NO.	PUMP ITEM NO.	BASIN PART NO.	COVER PART NO.	HUB TYPE	DISCH. SIZE	VENT SIZE	CHECK VALVE
*509023	9S-SMPX-B	509500	113037	113040	Vinyl	2	3	940022
*509024	9S-SMPX-B	509500	113038	113040	Cast Iron	2	3	940022
*509025	9S-SMPX-B	509500	113037	113041	Vinyl	2	2	940022
*509026	9S-SMPX-B	509500	113038	113041	Cast Iron	2	2	940022
•509027	9S-SMPX-B	509500	113037	113052	Vinyl	3	2	940023
•509028	9S-SMPX-B	509500	113038	113052	Cast Iron	3	2	940023
**509031	9E-SMPX-B	509300	113035	113042	Vinyl	2	2	940021
**509032	9S-SMPX-B	509500	113035	113042	Vinyl	2	2	940022
**509033	9S-SMPX-B	509510	113038	113040	Cast Iron	3	2	Not Included
509034	9S-SMPX-B	509500	113037	113042	Vinyl	2	2	940022
509035	9S-SMPX-B	509500	113038	113042	Cast Iron	2	2	940022
509036	9S-SMPX-B	509500	113037	113043	Vinyl	2	3	940022
509037	9S-SMPX-B	509500	113038	113043	Cast Iron	2	3	940022
•509038	9S-SMPX-B	509500	113037	113053	Vinyl	3	3	940023
•509039	9S-SMPX-B	509500	113038	113053	Cast Iron	3	3	940023
511034	10S-SMPX-B	511500	113037	113042	Vinyl	2	2	940022
511035	10S-SMPX-B	511500	113038	113042	Cast Iron	2	2	940022
•511038	10S-SMPX-B	511500	113037	113053	Vinyl	3	3	940023
•511040	10S-SMPX-B	511500	113037	113052	Vinyl	3	2	940023
+511056	10S-SMPX-B	511450	113037	113052	Vinyl	3	2	940023
+511057	10S-SMPX-B	511450	113038	113052	Cast Iron	3	2	940023
*511058	10S-SMPX-B	511500	113037	113041	Vinyl	2	2	940022
*511059	10S-SMPX-B	511500	113038	113041	Cast Iron	2	2	940022
*511060	10S-SMPX-B	511500	113037	113040	Vinyl	2	3	940022
*511061	10S-SMPX-B	511500	113038	113040	Cast Iron	2	3	940022
*511062	10S-SMPX-B (SFS)	511550	113037	113041	Vinyl	2	2	940022
*511063	10S-SMPX-B (SFS)	511550	113038	113041	Cast Iron	2	2	940022

* = One-piece cover

+ = Pump has 3" discharge

• = 2" discharge on pump, 3" discharge in cover – adapter not included

** = Inlet hole not pre-punched in basin – must be done by installer

(SFS) = Pump has a snap-action float switch

www.LittleGiantPump.com



LittleGIANT[®]

PO Box 12010 • Oklahoma City, OK 73157

Phone: 800.701.7894 • Fax: 800.701.8046

E-mail: customerservice@littlegiant.com

Form 995215 — 09/2004